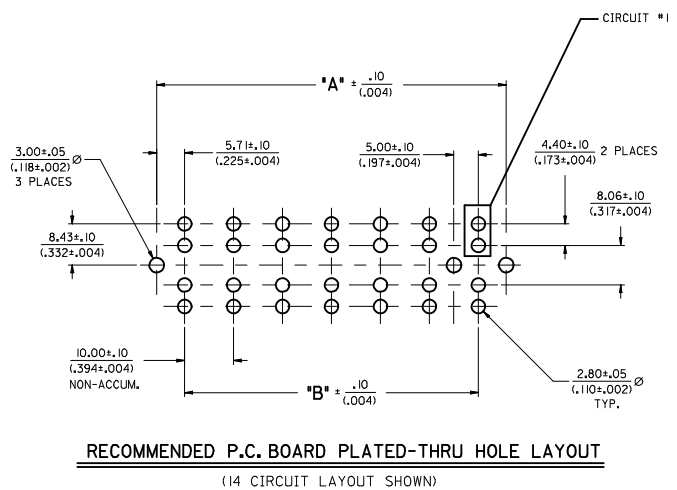
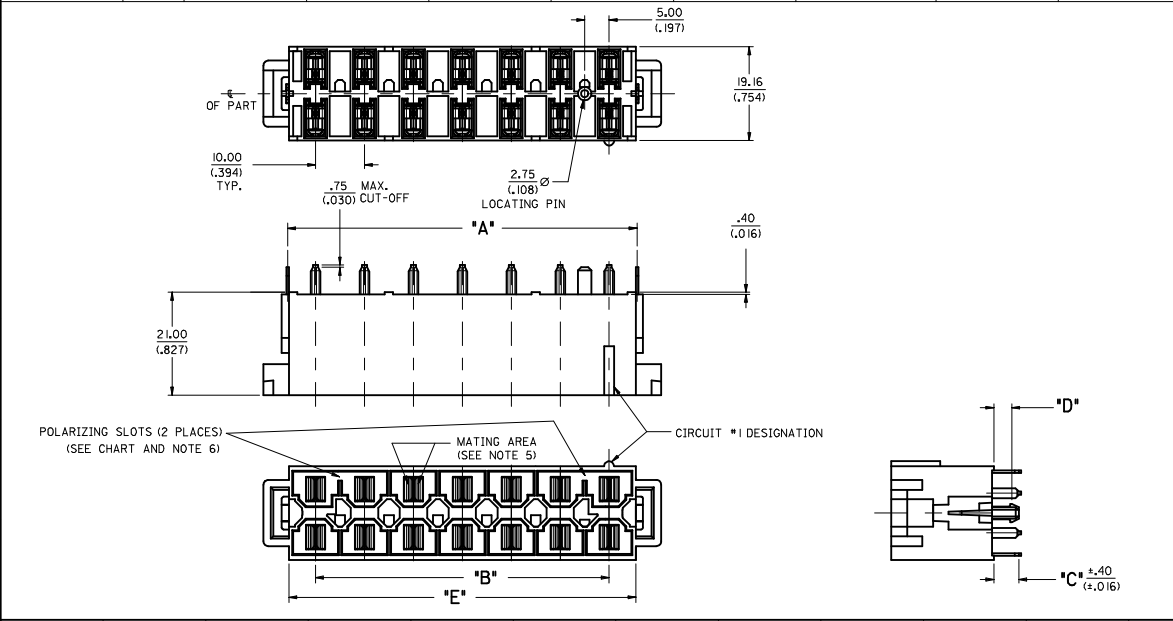


MATERIAL NUMBER	CIRCUITS	DIM. 'A'	DIM. 'B'	DIM. 'C'	DIM. 'D'	DIM. 'E'	PCB THICKNESS	QUANTITY OF POLARIZING SLOTS	TERMINAL PLATING
43915-1101	6	31.41/(L237)	20.00/(L787)	3.50/(L137)	1.80/(L071)	30.90/(L217)		1	OVERALL TIN
43915-1102	8	41.41/(L630)	30.00/(L181)	3.50/(L137)	1.80/(L071)	40.90/(L610)	1.57/(L062)	2	
43915-1103	10	51.41/(L2024)	40.00/(L1575)	3.50/(L137)	1.80/(L071)	50.90/(L2004)		2	
43915-1104	12	61.41/(L2418)	50.00/(L1969)	3.50/(L137)	1.80/(L071)	60.90/(L2398)		2	
43915-1105	14	71.41/(L2811)	60.00/(L2362)	3.50/(L137)	1.80/(L071)	70.90/(L2791)		2	
43915-1106	6	31.41/(L237)	20.00/(L787)	5.10/(L201)	2.60/(L102)	30.90/(L217)		1	
43915-1107	8	41.41/(L630)	30.00/(L181)	5.10/(L201)	2.60/(L102)	40.90/(L610)	2.36/(L093)	2	
43915-1108	10	51.41/(L2024)	40.00/(L1575)	5.10/(L201)	2.60/(L102)	50.90/(L2004)		2	
43915-1109	12	61.41/(L2418)	50.00/(L1969)	5.10/(L201)	2.60/(L102)	60.90/(L2398)		2	
43915-1110	14	71.41/(L2811)	60.00/(L2362)	5.10/(L201)	2.60/(L102)	70.90/(L2791)		2	
43915-1111	6	31.41/(L237)	20.00/(L787)	5.10/(L201)	3.40/(L134)	30.90/(L217)		1	
43915-1112	8	41.41/(L630)	30.00/(L181)	5.10/(L201)	3.40/(L134)	40.90/(L610)	3.18/(L125)	2	
43915-1113	10	51.41/(L2024)	40.00/(L1575)	5.10/(L201)	3.40/(L134)	50.90/(L2004)		2	
43915-1114	12	61.41/(L2418)	50.00/(L1969)	5.10/(L201)	3.40/(L134)	60.90/(L2398)		2	
43915-1115	14	71.41/(L2811)	60.00/(L2362)	5.10/(L201)	3.40/(L134)	70.90/(L2791)		2	
43915-1116	6	31.41/(L237)	20.00/(L787)	8.30/(L327)	6.58/(L259)	30.90/(L217)		1	
43915-1117	8	41.41/(L630)	30.00/(L181)	8.30/(L327)	6.58/(L259)	40.90/(L610)	6.35/(L250)	2	
43915-1118	10	51.41/(L2024)	40.00/(L1575)	8.30/(L327)	6.58/(L259)	50.90/(L2004)		2	
43915-1119	12	61.41/(L2418)	50.00/(L1969)	8.30/(L327)	6.58/(L259)	60.90/(L2398)		2	
43915-1120	14	71.41/(L2811)	60.00/(L2362)	8.30/(L327)	6.58/(L259)	70.90/(L2791)		2	
43915-1121	10	51.41/(L2024)	40.00/(L1575)	3.50/(L137)	2.60/(L102)	50.90/(L2004)	2.36/(L093)	2	
43915-1905	14	71.41/(L2811)	60.00/(L2362)	3.50/(L137)	1.80/(L071)	70.90/(L2791)	1.57/(L062)	2	
43915-1201	6	31.41/(L237)	20.00/(L787)	3.50/(L137)	1.80/(L071)	30.90/(L217)		1	
43915-1202	8	41.41/(L630)	30.00/(L181)	3.50/(L137)	1.80/(L071)	40.90/(L610)	1.57/(L062)	2	
43915-1203	10	51.41/(L2024)	40.00/(L1575)	3.50/(L137)	1.80/(L071)	50.90/(L2004)		2	
43915-1204	12	61.41/(L2418)	50.00/(L1969)	3.50/(L137)	1.80/(L071)	60.90/(L2398)		2	
43915-1205	14	71.41/(L2811)	60.00/(L2362)	3.50/(L137)	1.80/(L071)	70.90/(L2791)		2	
43915-1206	6	31.41/(L237)	20.00/(L787)	5.10/(L201)	2.60/(L102)	30.90/(L217)		1	
43915-1207	8	41.41/(L630)	30.00/(L181)	5.10/(L201)	2.60/(L102)	40.90/(L610)	2.36/(L093)	2	
43915-1208	10	51.41/(L2024)	40.00/(L1575)	5.10/(L201)	2.60/(L102)	50.90/(L2004)		2	
43915-1209	12	61.41/(L2418)	50.00/(L1969)	5.10/(L201)	2.60/(L102)	60.90/(L2398)		2	
43915-1210	14	71.41/(L2811)	60.00/(L2362)	5.10/(L201)	2.60/(L102)	70.90/(L2791)		2	
43915-1211	6	31.41/(L237)	20.00/(L787)	5.10/(L201)	3.40/(L134)	30.90/(L217)		1	
43915-1212	8	41.41/(L630)	30.00/(L181)	5.10/(L201)	3.40/(L134)	40.90/(L610)	3.18/(L125)	2	
43915-1213	10	51.41/(L2024)	40.00/(L1575)	5.10/(L201)	3.40/(L134)	50.90/(L2004)		2	
43915-1214	12	61.41/(L2418)	50.00/(L1969)	5.10/(L201)	3.40/(L134)	60.90/(L2398)		2	
43915-1215	14	71.41/(L2811)	60.00/(L2362)	5.10/(L201)	3.40/(L134)	70.90/(L2791)		2	
43915-1216	6	31.41/(L237)	20.00/(L787)	8.30/(L327)	6.58/(L259)	30.90/(L217)		1	
43915-1217	8	41.41/(L630)	30.00/(L181)	8.30/(L327)	6.58/(L259)	40.90/(L610)	6.35/(L250)	2	
43915-1218	10	51.41/(L2024)	40.00/(L1575)	8.30/(L327)	6.58/(L259)	50.90/(L2004)		2	
43915-1219	12	61.41/(L2418)	50.00/(L1969)	8.30/(L327)	6.58/(L259)	60.90/(L2398)		2	
43915-1220	14	71.41/(L2811)	60.00/(L2362)	8.30/(L327)	6.58/(L259)	70.90/(L2791)		2	
43915-1221	10	51.41/(L2024)	40.00/(L1575)	3.50/(L137)	2.60/(L102)	50.90/(L2004)	2.36/(L093)	2	

**NOTES:**

- MATERIALS:  
HOUSING: 30% GLASS FILLED NYLON 4/6, U.L. 94V-0, COLOR: BLACK.  
TERMINAL: ALLOY 151  
PLATING: \*TIN OVER NICKEL.  
OR SELECT GOLD AND TIN OVER NICKEL.  
(SEE CHART)  
\* THE PRIMARY SHIPPING CARTON WILL BE LABELED COMPLIANT TO ROHS DIRECTIVE 2002/95/EC AND ELV ANNEX II OF DIRECTIVE 2002/95/EC. CARTONS WITHOUT THIS LABEL MAY CONTAIN PRODUCT WITH TIN-LEAD.
- PRODUCT SPEC.: PSX-42815-0001
- PARTS ARE NOT TO BE MATED OR UNMATED WHILE CIRCUITS ARE LIVE.
- PART MATES WITH MOLEX RECEPTACLE 43914.
- WHEN USING OVERALL TIN PLATED TERMINALS: FOR APPLICATIONS INVOLVING VIBRATION AND/OR THERMAL CYCLING, MOLEX STRONGLY RECOMMENDS THE USE OF NYE LUBRICANT (NYOGEL 760G) ON THE MATING SURFACES OF THE TERMINAL.
- POLARIZING SLOTS TO BE LOCATED BETWEEN CIRCUITS ON EITHER END OF HOUSING OF THE CIRCUIT I ROW, AS SHOWN.  
EXCEPTION: THE 6 CIRCUIT HOUSING WILL HAVE A SINGLE SLOT ON THE CIRCUIT I END ONLY.



ADDED -1905 IEC NO. UCP2006-1689 DRAWN/COMERC CHKD: 2006/01/24 APPR./COMERC 2006/01/24	QUALITY SYMBOLS ▽=0 ▽=0	GENERAL TOLERANCES (UNLESS SPECIFIED) 4 PLACES ± --- ± --- 3 PLACES ± --- ± .008 2 PLACES ± 0.2 ± --- 1 PLACE ± --- ± --- ANGULAR ± ---	DIMENSION STYLE MM/IN	SCALE 2:1	DESIGN UNITS METRIC	THIRD ANGLE PROJECTION
	DRAWN BY COMERC I DATE 8/21/197	CHECKED BY COMERC I DATE 8/25/197	APPROVED BY FRY DATE 8/26/197	MATERIAL NO. SEE CHART	DOCUMENT NO. SD-43915-002	SHEET NO. 1 OF 1

DRAFT WHERE APPLICABLE MUST REMAIN WITHIN DIMENSIONS

THIS DRAWING CONTAINS INFORMATION THAT IS PROPRIETARY TO MOLEX INCORPORATED AND SHOULD NOT BE USED WITHOUT WRITTEN PERMISSION