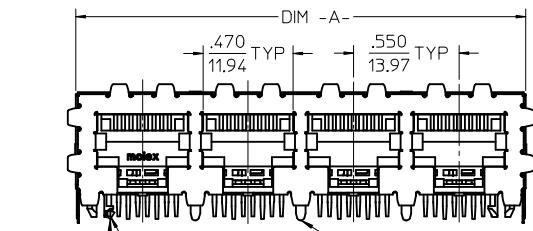


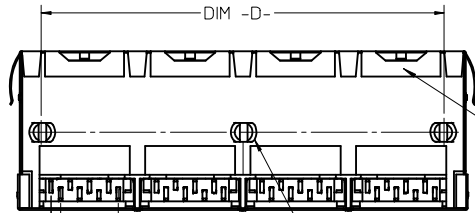
- NOTES:
- MATERIAL:
HOUSING: NYLON, GLASS FILLED, UL94V-0, COLOR: BLACK
TERMINALS: PHOSPHOR BRONZE
 - FINISH:
TERMINALS:
SELECT GOLD IN CONTACT AREA: 50 MICROINCHES / 1.27 MICROMETERS MIN.
SELECT MATTE TIN IN PC TAIL AREA: 100 MICROINCHES / 2.54 MICROMETERS MIN.,
WITH OVERALL NICKEL UNDERPLATE: 50 MICROINCHES / 1.27 MICROMETERS MIN.
 - PRODUCT SPECIFICATION: PS-44050-003.
 - PACKAGING SPECIFICATION:
UNSHIELDED CONNECTOR ASSEMBLIES IN THERMOFORMED TRAYS PER MOLEX
PACKAGING SPECIFICATION PK-44150-005.
 - MATES WITH: MODULAR PLUGS THAT CONFORM TO FCC REGULATION PART 68.5.
 - PC BOARD LAYOUTS AND PANEL CUT-OUT SHOWN ON PAGE (3) OF (3).
 - CONNECTOR AVAILABLE WITH EITHER PEG OPTION "A" (SNAP-FIT) OR PEG OPTION "B" (PRESS-FIT). THIS DRAWING SHOWS PEG OPTION "A".
 - TERMINAL LENGTHS MAY BE DIFFERENT FROM TERMINAL TO TERMINAL.
 - THIS PART CONFORMS TO CLASS B REQUIREMENTS OF COSMETIC SPECIFICATION PS-45499-002 WITH THE EXCEPTION OF THE SURFACE INDICATED WHICH IS A CLASS C SURFACE.

ASSEMBLY MATERIAL NUMBER	NUMBER OF PORTS	PEG OPTION	CENTER PEG	DIM -A-	DIM -D-
441500001	2	A	NO	1,200/30.48	1,000/25.40
441500017	2	B	NO	1,200/30.48	1,000/25.40
441500002	4	A	NO	2,300/58.42	2,100/53.34
441500018	4	B	NO	2,300/58.42	2,100/53.34
441500003	6	A	NO	3,400/86.36	3,200/81.28
441500019	6	B	NO	3,400/86.36	3,200/81.28
441500004	8	A	YES	4,500/114.30	4,300/109.22
441500020	8	B	YES	4,500/114.30	4,300/109.22

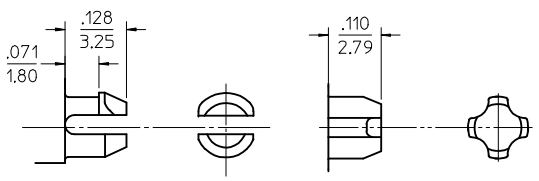
CHG - 0036 EC NO: UCP2014-0099 DRW: NGUYEN 2013/09/17 CHKD: J.BELL 2013/09/17 APPR: F.S.MITH 2013/09/20	DESCRIPTION REV D6	QUALITY SYMBOLS ▽=0 ▽=0 ▽=0	GENERAL TOLERANCES (UNLESS SPECIFIED)		DIMENSION STYLE IN/MM		SCALE 2:1	DESIGN UNITS INCH	THIRD ANGLE PROJECTION
			4 PLACES ± --- ± --- 3 PLACES ± --- ± .010 2 PLACES ± 0.25 ± --- 1 PLACE ± --- ± --- 0 PLACE ± ±	mm INCH DRAWN BY MARANTO DATE 98/01/21 CHECKED BY ROBERTS DATE 98/01/21 APPROVED BY ROBERTS DATE 98/01/21	CATEGORY 5 MODULAR JACK ASSEMBLIES, GANGED				
			ANGULAR ±1/2°		MATERIAL NO. SEE CHART		DOCUMENT NO. SD-44150-002		SHEET NO. 1 OF 3
			DRAFT WHERE APPLICABLE MUST REMAIN WITHIN DIMENSIONS			THIS DRAWING CONTAINS INFORMATION THAT IS PROPRIETARY TO MOLEX INCORPORATED AND SHOULD NOT BE USED WITHOUT WRITTEN PERMISSION			



CUTAWAY
 CIRCUIT #1
 REAR SHIELD CENTER GROUND TAB
 SEE NOTES 8 AND 9



8 PORT HOUSING ONLY

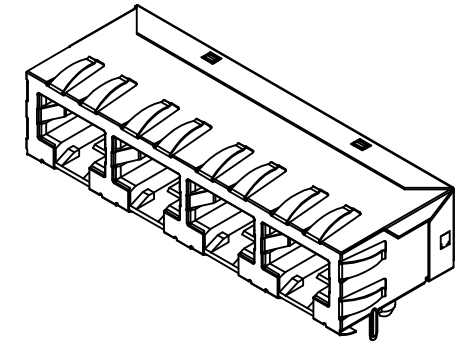
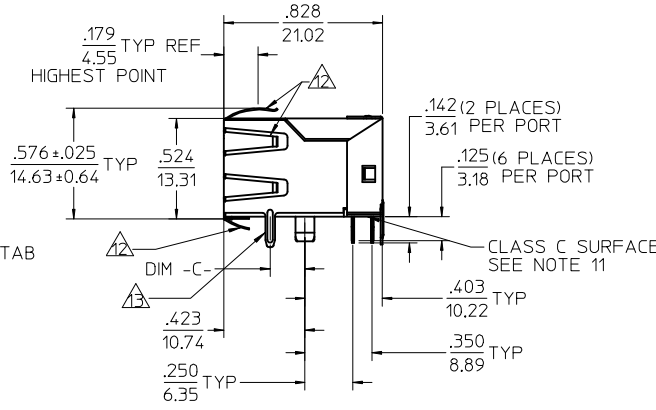


PEG OPTION *A*

SNAP-FIT PEG
 SEE NOTE #7
 (SCALE NTS)

PEG OPTION *B*

PRESS-FIT PEG
 SEE NOTE #7
 (SCALE NTS)



ASSEMBLY MATERIAL NUMBER	NUMBER OF PORTS	PEG OPTION	CENTER PEG	REAR SHIELD GROUND TABS	DIM -A-	DIM -C-	DIM -D-
441500005	2	A	NO	1	1.225/31.12	0.145/3.68	1.000/25.40
441500011	2	A	NO	1	1.225/31.12	0.180/4.57	1.000/25.40
441500036	2	A	NO	0	1.225/31.12	0.180/4.57	1.000/25.40
441500021	2	B	NO	1	1.225/31.12	0.145/3.68	1.000/25.40
441500027	2	B	NO	1	1.225/31.12	0.180/4.57	1.000/25.40
441500009	4	A	NO	1	2.325/59.05	0.145/3.68	2.100/53.34
441500015	4	A	NO	1	2.325/59.05	0.180/4.57	2.100/53.34
441500006	4	A	NO	3	2.325/59.05	0.145/3.68	2.100/53.34
441500012	4	A	NO	3	2.325/59.05	0.180/4.57	2.100/53.34
441500025	4	B	NO	1	2.325/59.05	0.145/3.68	2.100/53.34
441500031	4	B	NO	1	2.325/59.05	0.180/4.57	2.100/53.34
441500022	4	B	NO	3	2.325/59.05	0.145/3.68	2.100/53.34
441500028	4	B	NO	3	2.325/59.05	0.180/4.57	2.100/53.34
441500034	4	B	NO	3	2.325/59.05	N/A	2.100/53.34
441500007	6	A	NO	5	3.425/87.00	0.145/3.68	3.200/81.28
441500013	6	A	NO	5	3.425/87.00	0.180/4.57	3.200/81.28
441500023	6	B	NO	5	3.425/87.00	0.145/3.68	3.200/81.28
441500029	6	B	NO	5	3.425/87.00	0.180/4.57	3.200/81.28
441500010	8	A	YES	1	4.525/114.94	0.145/3.68	4.300/109.22
441500016	8	A	YES	1	4.525/114.94	0.180/4.57	4.300/109.22
441500033	8	A	YES	3	4.525/114.94	0.145/3.68	4.300/109.22
441500008	8	A	YES	7	4.525/114.94	0.145/3.68	4.300/109.22
441500014	8	A	YES	7	4.525/114.94	0.180/4.57	4.300/109.22
441500026	8	B	YES	1	4.525/114.94	0.145/3.68	4.300/109.22
441500032	8	B	YES	1	4.525/114.94	0.180/4.57	4.300/109.22
441500024	8	B	YES	7	4.525/114.94	0.145/3.68	4.300/109.22
441500030	8	B	YES	7	4.525/114.94	0.180/4.57	4.300/109.22

- NOTES:
 1) MATERIAL:
 HOUSING: NYLON, GLASS FILLED, UL94V-0, COLOR: BLACK
 TERMINALS: PHOSPHOR BRONZE
 SHIELD: BRASS
 2) FINISH:
 TERMINALS:
 SELECT GOLD IN CONTACT AREA: 50 MICROINCHES / 1.27 MICROMETERS MIN.,
 SELECT MATTE TIN IN PC TAIL AREA: 100 MICROINCHES / 2.54 MICROMETERS MIN.,
 WITH OVERALL NICKEL UNDERPLATE: 50 MICROINCHES / 1.27 MICROMETERS MIN.
 SHIELD:
 100 MICROINCHES / 2.54 MICROMETERS NICKEL OVER 50 MICROINCHES /
 1.27 MICROMETERS COPPER UNDERPLATE, PCB GROUND TABS DIPPED IN TIN
 3) PRODUCT SPECIFICATION: PS-44050-003.
 4) PACKAGING SPECIFICATION:
 SHIELDED CONNECTOR ASSEMBLIES IN THERMOFORMED TRAYS PER MOLEX
 PACKAGING SPECIFICATION PK-44150-004.
 5) MATES WITH: MODULAR PLUGS THAT CONFORM TO FCC REGULATION PART 68.5.
 6) PC BOARD LAYOUTS AND PANEL CUT-OUT SHOWN ON PAGE (3) OF (3).
 7) CONNECTOR AVAILABLE WITH EITHER PEG OPTION *A* (SNAP-FIT) OR
 PEG OPTION *B* (PRESS-FIT). THIS DRAWING SHOWS PEG OPTION *A*.
 8) (4) PORT AND (8) PORT MODJACKS AVAILABLE WITH A SINGLE GROUND TAB ON REAR
 OF SHIELD, LOCATED IN THE CENTER. PER THE ASSEMBLY MATERIAL NUMBER TABLE.
 9) (8) PORT VERSION AVAILABLE WITH (3) GROUND TABS ON REAR OF SHIELD,
 CENTERED ON THE PART, PER THE ASSEMBLY MATERIAL NUMBER TABLE.
 10) TERMINAL LENGTHS MAY BE DIFFERENT FROM TERMINAL TO TERMINAL.
 11) THIS PART CONFORMS TO CLASS B REQUIREMENTS OF COSMETIC SPECIFICATION
 PS-45499-002 WITH THE EXCEPTION OF THE SURFACE INDICATED WHICH IS A
 CLASS C SURFACE.
 441500036 DOES NOT HAVE TOP, SIDE, OR BOTTOM GROUND TABS &
 HAS SHORTER BOTTOM FLANGES
 441500034 DOES NOT HAVE SIDE GROUND TABS

SEE SHEET 1
 EC NO: UCP2014-0099
 DR: WANGUYEN
 CHKD: J.BELL
 APPR: F.SMITH
 2013/09/17
 2013/09/17
 2013/09/20

QUALITY SYMBOLS
 GENERAL TOLERANCES (UNLESS SPECIFIED)
 DIMENSION STYLE IN/MM
 SCALE 2:1
 DESIGN UNITS INCH
 THIRD ANGLE PROJECTION

4 PLACES	± .010	± .010
3 PLACES	± .010	± .010
2 PLACES	± .025	± .010
1 PLACE	± .050	± .010
0 PLACE	±	±

ANGULAR ±1/2°
 DRAFT WHERE APPLICABLE MUST REMAIN WITHIN DIMENSIONS

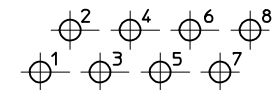
DRAWN BY MARANTO DATE 98/01/21
 CHECKED BY ROBERTS DATE 98/01/21
 APPROVED BY ROBERTS DATE 98/01/21

CATEGORY 5 MODULAR JACK ASSEMBLIES, GANGED

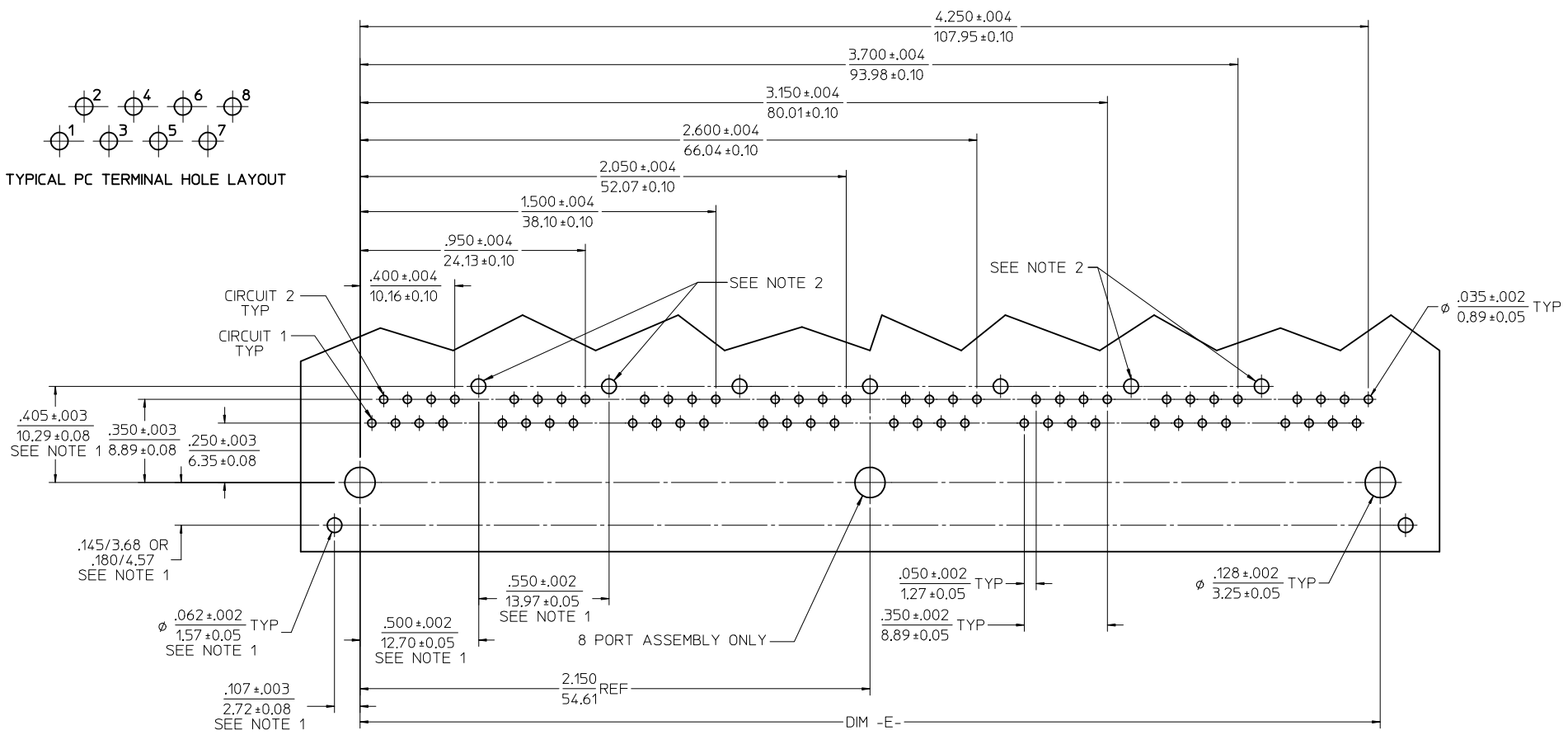
molex

DOCUMENT NO. SD-44150-002
 SHEET NO. 2 OF 3

THIS DRAWING CONTAINS INFORMATION THAT IS PROPRIETARY TO MOLEX INCORPORATED AND SHOULD NOT BE USED WITHOUT WRITTEN PERMISSION



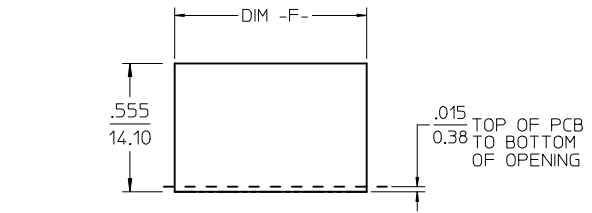
TYPICAL PC TERMINAL HOLE LAYOUT



PCB LAYOUT : COMPONENT SIDE
RECOMMENDED PCB THICKNESS : .062/1.57

- NOTES:
1. DIMENSIONS REFER TO SHIELDED ASSEMBLIES ONLY
 2. SHIELD PCB GROUND TAB HOLES SPECIFIED NOT PRESENT FOR 441500033 USAGE

NUMBER OF PORTS	DIM -E-	DIM -F-
2	1.000/25.40	1.255/31.88
4	2.100/53.34	2.355/59.82
6	3.200/81.28	3.455/87.86
8	4.300/109.22	4.555/115.70



SUGGESTED PANEL OPENING
SHIELDED VERSIONS

SEE SHEET 1 EC NO: UCP2014-0099 DRW: NGUYEN CHKD: BELL APPR: FSM/TH	QUALITY SYMBOLS 	GENERAL TOLERANCES (UNLESS SPECIFIED)		DIMENSION STYLE IN/MM		SCALE	DESIGN UNITS INCH	THIRD ANGLE PROJECTION	
		4 PLACES ± --- ± ---	3 PLACES ± --- ± .010	DRAWN BY MARANTO	DATE 98/01/21	TITLE CATEGORY 5 MODULAR JACK ASSEMBLIES, GANGED			
		2 PLACES ± .025 ± ---	1 PLACE ± --- ± ---	CHECKED BY ROBERTS	DATE 98/01/21	APPROVED BY ROBERTS			
		0 PLACE ± ±	ANGULAR ±1/2°	MATERIAL NO. SEE CHART		DOCUMENT NO. SD-44150-002	SHEET NO. 3 OF 3		
D6	DRAFT WHERE APPLICABLE MUST REMAIN WITHIN DIMENSIONS	THIS DRAWING CONTAINS INFORMATION THAT IS PROPRIETARY TO MOLEX INCORPORATED AND SHOULD NOT BE USED WITHOUT WRITTEN PERMISSION							