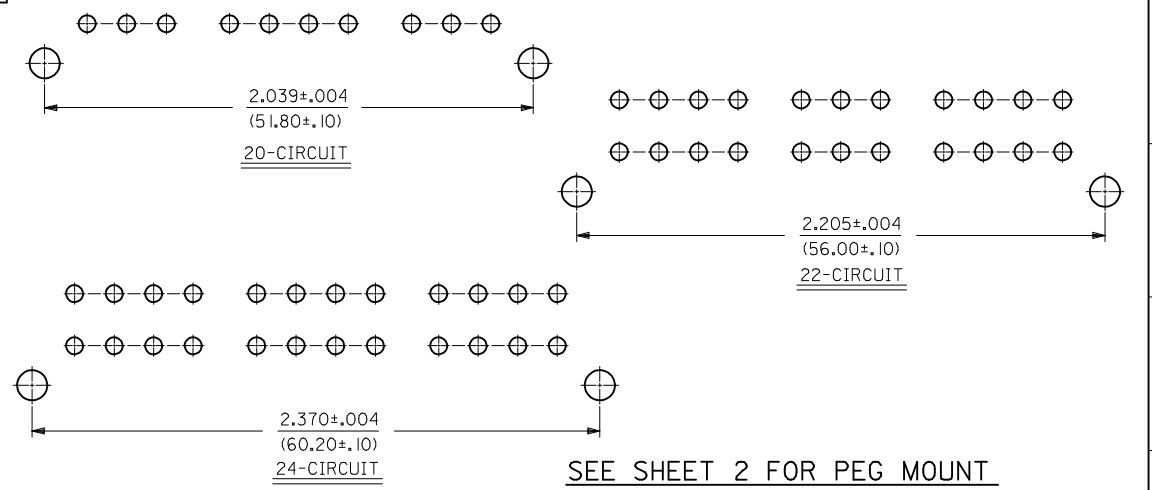
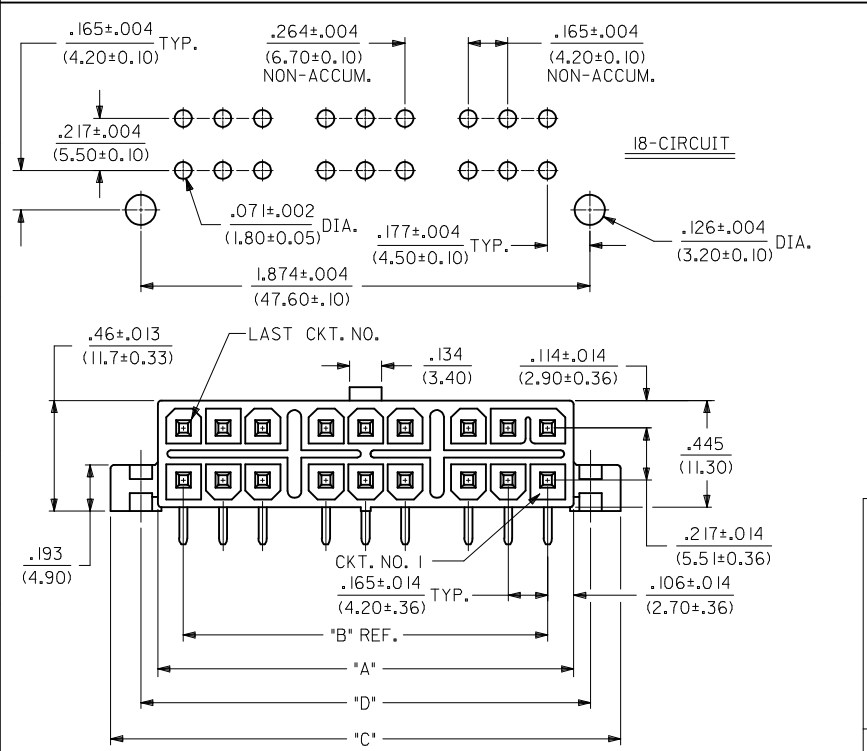
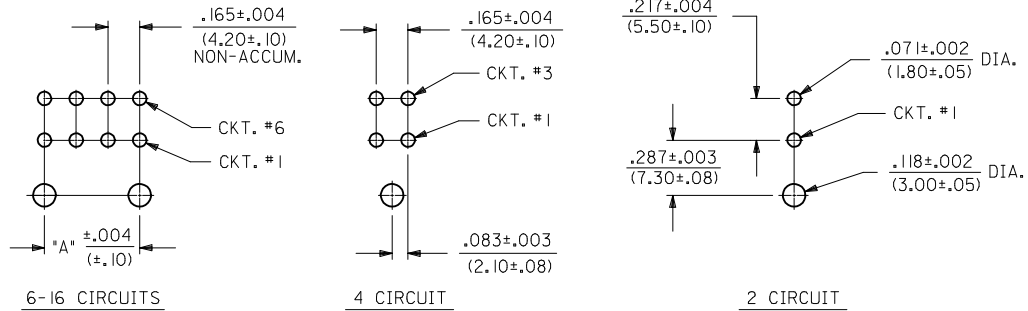
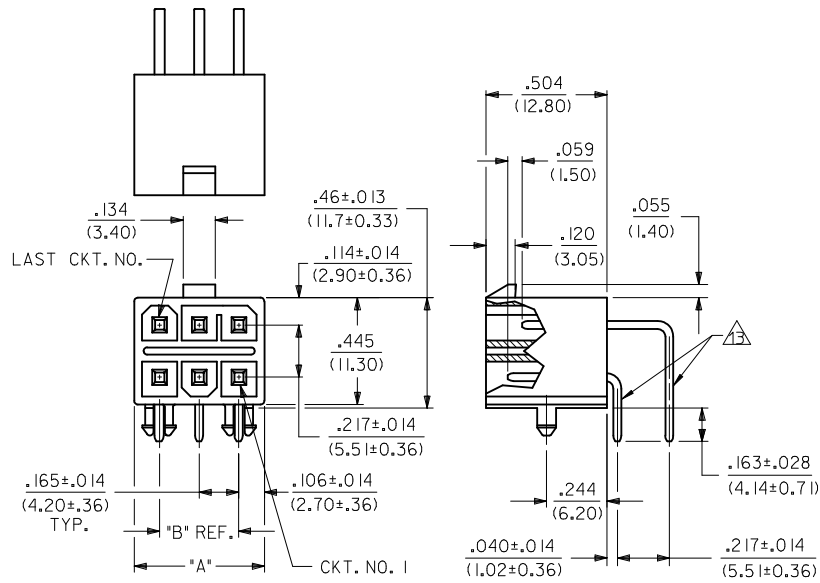


CKT. SIZE	DIM. "A"	DIM. "B"	DIM. "C"	DIM. "D"
2	.213 (5.40)	—	.606 (15.40)	.354 (9.00)
4	.378 (9.60)	.165 (4.20)	.772 (19.60)	.520 (13.20)
6	.543 (13.80)	.331 (8.40)	.937 (23.80)	.685 (17.40)
8	.709 (18.00)	.496 (12.60)	1.102 (28.00)	.850 (21.60)
10	.874 (22.20)	.661 (16.80)	1.268 (32.20)	1.016 (25.80)
12	1.039 (26.40)	.827 (21.00)	1.433 (36.40)	1.181 (30.00)
14	1.205 (30.60)	.992 (25.20)	1.598 (40.60)	1.346 (34.20)
16	1.370 (34.80)	1.157 (29.40)	1.764 (44.80)	1.512 (38.40)
18	1.732 (44.00)	1.520 (38.60)	2.126 (54.00)	1.874 (47.60)
20	1.898 (48.20)	1.685 (42.80)	2.291 (58.20)	2.039 (51.80)
22	2.063 (52.40)	1.850 (47.00)	2.457 (62.40)	2.205 (56.00)
24	2.228 (56.60)	2.016 (51.20)	2.622 (66.60)	2.370 (60.20)

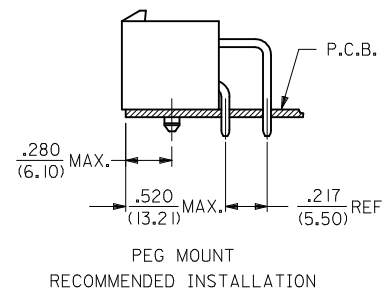
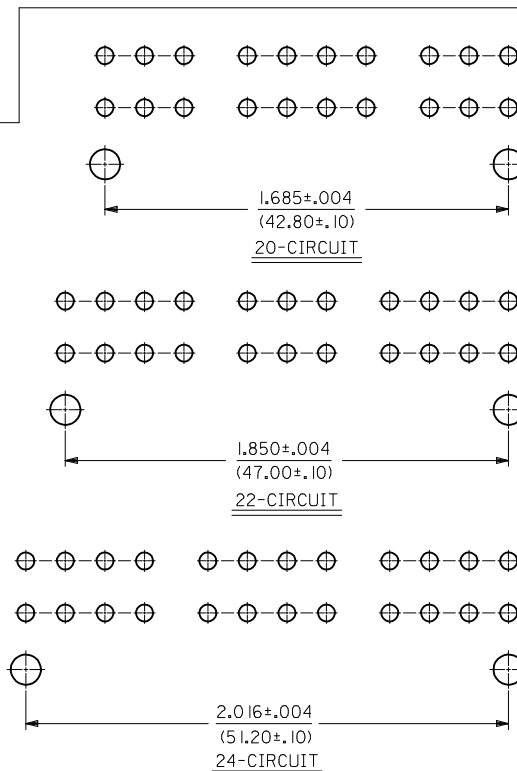


<b>UPDATE NOTE 6</b> E4 IEC NO: UCP2014-0298 DRWNG: NGUYEN CHKD: J.BELL APPR: F.SMITH 2013/08/02 2013/08/02 2013/08/16	QUALITY SYMBOLS ∇=0 ∇=0 ∇=0	GENERAL TOLERANCES (UNLESS SPECIFIED)		DIMENSION STYLE <b>IN/MM</b>		SCALE <b>2:1</b>	DESIGN UNITS <b>METRIC</b>	THIRD ANGLE PROJECTION		
		4 PLACES ± --- ± --- 3 PLACES ± --- ± .010 2 PLACES ± 0.25 ± .014 1 PLACE ± 0.36 ± --- 0 PLACE ± ±	mm INCH	DRAWN BY GEP	DATE 1994/08/01	CHECKED BY R.J.F.	DATE 1994/08/01	<b>RIGHT ANGLE HEADER ASSY SELECTIVELY LOADED MINI-FIT T.P.A. SERIES</b>		
		ANGULAR ±1/2°		MATERIAL NO. <b>SEE CHART</b>		APPROVED BY F.S.MITH		DATE 2011/09/12		TITLE <b>SDA-44483-****</b>
		DRAFT WHERE APPLICABLE MUST REMAIN WITHIN DIMENSIONS				SIZE <b>C</b>		DOCUMENT NO.		SHEET NO. 1 OF 3

THIS DRAWING CONTAINS INFORMATION THAT IS PROPRIETARY TO MOLEX INCORPORATED AND SHOULD NOT BE USED WITHOUT WRITTEN PERMISSION



RECOMMENDED HOLE LAYOUT FOR .070/(1.78) MAX. THICK P.C. BOARD



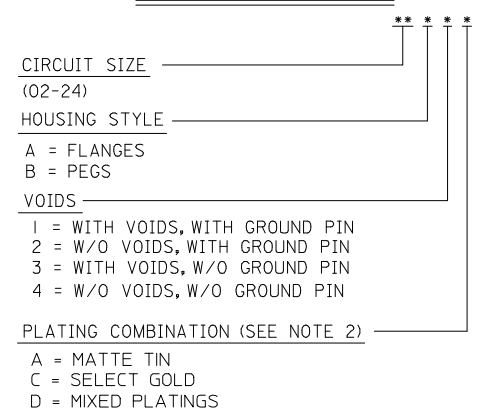
CKT. SIZE	DIM. "A"	DIM. "B"
2	.213 (5.40)	—
4	.378 (9.60)	.165 (4.20)
6	.543 (13.80)	.331 (8.40)
8	.709 (18.00)	.496 (12.60)
10	.874 (22.20)	.661 (16.80)
12	1.039 (26.40)	.827 (21.00)
14	1.205 (30.60)	.992 (25.20)
16	1.370 (34.80)	1.157 (29.40)
18	1.732 (44.00)	1.520 (38.60)
20	1.898 (48.20)	1.685 (42.80)
22	2.063 (52.40)	1.850 (47.00)
24	2.228 (56.60)	2.016 (51.20)

SEE SHEET 1 FOR FLANGE MOUNT

SEE SHEET 1 EC NO: UCP2014-0298 DRAWN: NGUYEN CHKD: BELL APPR: FSMITH 2013/08/02 2013/08/02 2013/08/16	QUALITY SYMBOLS ▽=0 ▽=0 ▽=0	GENERAL TOLERANCES (UNLESS SPECIFIED) mm INCH 4 PLACES ± --- ± --- 3 PLACES ± --- ± .010 2 PLACES ± .25 ± .014 1 PLACE ± .36 ± --- 0 PLACE ± ±	DIMENSION STYLE IN/MM DRAWN BY DATE GEP 1994/08/01 CHECKED BY DATE RJF 1994/08/01 APPROVED BY DATE FSMITH 2011/09/12	SCALE 2:1 DESIGN UNITS METRIC	THIRD ANGLE PROJECTION
	DRAFT WHERE APPLICABLE MUST REMAIN WITHIN DIMENSIONS		MATERIAL NO. SEE CHART	DOCUMENT NO. SDA-44483-****	SHEET NO. 2 OF 3
	RIGHT ANGLE HEADER ASSY SELECTIVELY LOADED MINI-FIT T.P.A. SERIES <b>molex</b>				
	THIS DRAWING CONTAINS INFORMATION THAT IS PROPRIETARY TO MOLEX INCORPORATED AND SHOULD NOT BE USED WITHOUT WRITTEN PERMISSION				

ITEM NO.	CHARACTERISTIC DESCRIPTION	CKT. SIZE	TERMINAL VERSION REQUIRED AT EACH CIRCUIT LOCATION: (SEE CODES BELOW)																								PACKAGING TYPE
			1	2	3	4	5	6	7	8	9	10	11	12	13	14	15	16	17	18	19	20	21	22	23	24	
J	44483-0001	I2A1C	I2	5	5	5	6	5	5	5	5	5	-	5	5	-	-	-	-	-	-	-	-	-	-	BULK	
	44483-0002	I2A2C	I2	5	5	5	6	5	5	5	5	5	5	5	5	-	-	-	-	-	-	-	-	-	-	BULK	
	44483-0003	I2A1C	I2	5	5	5	6	5	5	5	5	5	5	5	5	-	-	-	-	-	-	-	-	-	-	TRAY	
	44483-0004	O4A2C	O4	5	5	6	5	-	-	-	-	-	-	-	-	-	-	-	-	-	-	-	-	-	-	BULK	
I	44483-0005	O4A2A	O4	7	7	8	7	-	-	-	-	-	-	-	-	-	-	-	-	-	-	-	-	-	-	BULK	
	44483-0006	I2A1C	I2	5	5	5	6	-	5	5	5	5	5	5	5	-	-	-	-	-	-	-	-	-	-	BULK	
	44483-0007	I6A2A	I6	7	7	8	7	7	8	8	7	8	7	8	7	8	7	7	8	-	-	-	-	-	-	BULK	
	44483-0008	I2A1C	I2	5	-	6	6	-	5	-	5	5	5	5	5	-	-	-	-	-	-	-	-	-	-	BULK	
H	44483-0009	O6A2C	O6	5	5	6	5	5	5	-	-	-	-	-	-	-	-	-	-	-	-	-	-	-	-	BULK	
	44483-0010	O6A1C	O6	5	-	6	5	-	5	-	-	-	-	-	-	-	-	-	-	-	-	-	-	-	-	BULK	
	44483-0011	I2A3A	I2	7	7	7	7	7	7	7	7	7	-	7	7	-	-	-	-	-	-	-	-	-	-	BULK	
	44483-0012	I2A1C	I2	5	5	5	6	5	5	5	5	5	-	5	5	-	-	-	-	-	-	-	-	-	-	BULK	
G	44483-0013	I2A1C	I2	5	5	5	6	-	5	5	5	5	-	5	-	-	-	-	-	-	-	-	-	-	-	TRAY	
	44483-0014	I2A4D	I2	7	7	7	7	7	7	5	7	7	7	7	7	-	-	-	-	-	-	-	-	-	-	TRAY	
	44483-0015	I2B3A	I2	-	7	7	7	7	-	-	7	7	-	7	7	-	-	-	-	-	-	-	-	-	-	TRAY	
	44483-0016	I2A2C	I2	6	6	5	5	6	6	6	6	5	5	6	6	-	-	-	-	-	-	-	-	-	-	TRAY	
F	44483-0017	O4A1C	O4	-	5	6	5	-	-	-	-	-	-	-	-	-	-	-	-	-	-	-	-	-	-	TRAY	
	44483-0018	O4A1C	O4	5	-	6	5	-	-	-	-	-	-	-	-	-	-	-	-	-	-	-	-	-	-	TRAY	
	44483-0019	O4A1C	O4	5	5	6	-	-	-	-	-	-	-	-	-	-	-	-	-	-	-	-	-	-	-	TRAY	

**CHARACTERISTICS LEGEND:**



- NOTES:
- MATERIAL:  
HOUSING: POLYSESTER, UNFILLED, UL94 V-0, COLOR: BLACK  
TERMINAL: BRASS
  - FINISH (TERMINAL):  
SELECT GOLD = .000030/(.00076) MIN. GOLD OVER .000100/(.00254) MIN. SELECT MATTE TIN OVER .000050/(.00127) MIN. NICKEL OVERALL  
MATTE TIN = .000100/(0.00254) MIN MATTE TIN OVER .000050/(0.00127) MIN NICKEL OVERALL
  - PRODUCT SPECIFICATION: PS-5556-003
  - PACKAGING: SEE CHART  
TRAY PACKED PER: PK-44483-001  
BULK PACKED PER: PK-30070-001
  - PART MATES WITH MINI-FIT T.P.A. RECEPTACLE 30067-\*.  
FLANGE MOUNT PART IS DESIGNED FOR USE WITH #4 OR M3 SELF TAPPING SCREWS.
  - SEE CHART ABOVE FOR STANDARD PIN, GROUND PIN AND VOID LOCATIONS.
  - PARTS ARE NOT TO BE MATED OR UNMATED WHILE CIRCUITS ARE LIVE.
  - PART IS NOT DESIGNED FOR CURRENT SHARING.
  - ITEM NUMBERS PRECEDED BY AND "X" IN THE CHART ABOVE ARE NOT AVAILABLE.
  - PART CONFORMS TO CLASS "B" REQUIREMENTS OF COSMETIC SPECIFICATION PS-45499-002.
  - DISCOLORATION IN THE BANDOLIER CARRIER AREA OF THE PIN IS INHERENT TO THE PLATING PROCESS AND IS DUE TO THE MASKING EFFECT OF THE CARRIER. THIS DISCOLORATION IS IN A NON-FUNCTIONAL AREA OF THE PIN AND WILL NOT AFFECT THE PERFORMANCE OF THE HEADER ASSEMBLY.
  - FORMING MARKS ARE ACCEPTABLE.

PIN. I.D. CODES FOR CHART ABOVE	
PIN TYPE & PLATING (SEE NOTE 2)	
"-"	= VOID LOC.
"5"	= STANDARD PIN, SELECT GOLD
"6"	= GROUNDING PIN, SELECT GOLD
"7"	= STANDARD PIN, MATTE TIN
"8"	= GROUNDING PIN, MATTE TIN

SEE SHEET 1	DESCRIPTION	QUALITY SYMBOLS
REV E4		

GENERAL TOLERANCES (UNLESS SPECIFIED)	
	INCH
4 PLACES	± .010
3 PLACES	± .010
2 PLACES	± .010
1 PLACE	± .036
0 PLACE	± .036
ANGULAR ±1/2°	
DRAFT WHERE APPLICABLE MUST REMAIN WITHIN DIMENSIONS	

DIMENSION STYLE	
IN/MM	
DRAWN BY	DATE
GEP	1994/08/01
CHECKED BY	DATE
RJF	1994/08/01
APPROVED BY	DATE
FSMITH	2011/09/12

SCALE	DESIGN UNITS	THIRD ANGLE PROJECTION
1:1	METRIC	
TITLE		
RIGHT ANGLE HEADER ASSY SELECTIVELY LOADED MINI-FIT T.P.A. SERIES		
<b>molex</b>		
MATERIAL NO.	DOCUMENT NO.	SHEET NO.
SEE CHART	SDA-44483-****	3 OF 3
THIS DRAWING CONTAINS INFORMATION THAT IS PROPRIETARY TO MOLEX INCORPORATED AND SHOULD NOT BE USED WITHOUT WRITTEN PERMISSION		