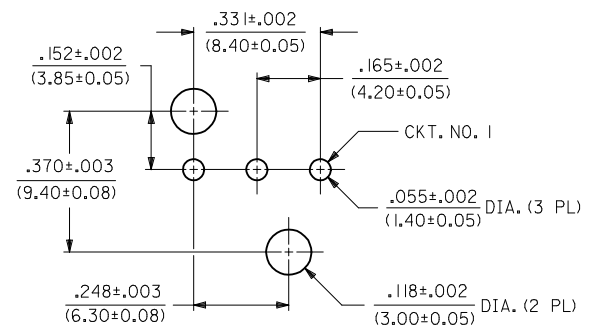
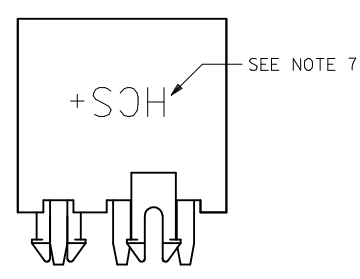
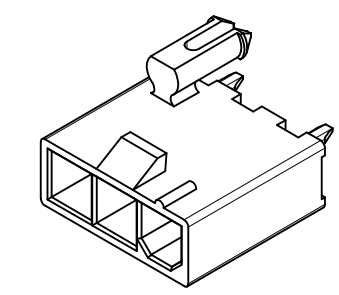
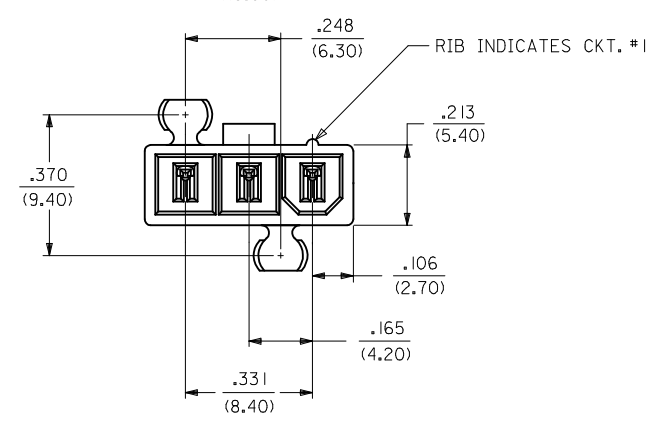
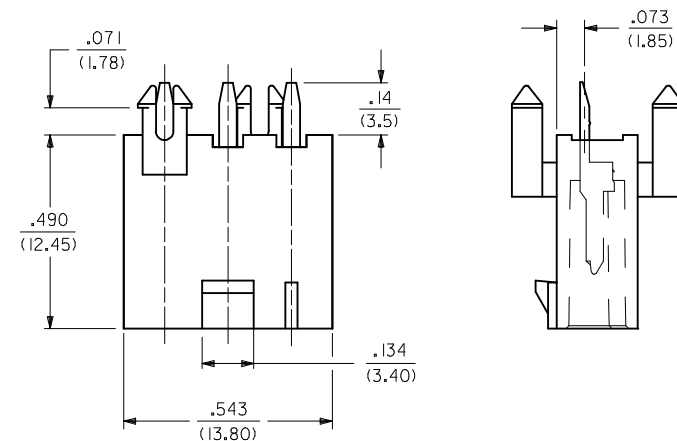


NOTES:

- 1) MATERIALS:
 HOUSING: 1 - NYLON 6/6, UNFILLED UL 94V-2, COLOR: NATURAL
 2 - NYLON 6/6, UNFILLED UL 94V-0, COLOR: NATURAL
 TERMINALS: COPPER ALLOY
- 2) TERMINAL PLATING:
 1 - .000100/(.00254) MIN. MATTE TIN OVER
 .000050/(.00127) MIN. NICKEL OVERALL
 2 - .000030/(.00076) MIN. SELECT GOLD AND
 .000100/(.00254) MIN. SELECT MATTE TIN OVER
 .000050/(.00127) MIN. NICKEL OVERALL
- 3) PRODUCT SPECIFICATION: PS-45750-001
- 4) PACKAGING: TRAY PACK PER PK-5566-002
- 5) PART MATES WITH WITH MINI-FIT JR. RECEPTACLE #5557.
- 6) PART IS NOT DESIGNED FOR CURRENT SHARING.
- 7) PARTS TO HAVE "HCS+" MARKING.
- 8) PART CONFORMS TO CLASS "B" REQUIREMENTS OF COSMETIC SPECIFICATION PS-45499-002.

ITEM NO.	HOUSING MATERIAL	PLATING	VOID CIRCUIT
46014-0304	V-0	TIN	NONE
46014-0305	V-2		
46014-0306	V-0	GOLD	
46014-0307	V-2		



RECOMMENDED HOLE LAYOUT FOR
 .070/(1.78) MAX. THICK P.C. BOARD

UPDATE TOLERANCES		GENERAL TOLERANCES (UNLESS SPECIFIED)		DIMENSION STYLE		SCALE	DESIGN UNITS	THIRD ANGLE PROJECTION	
REV	DESCRIPTION	mm	INCH	IN/MM	DATE	4:1	METRIC	DRAWN BY	
B2	DRWINANGUYEN	± .010	± .010	IN/MM	2010/04/09			TGREGORI	
	CHKD:JBELL	± .020	± .020		2006/04/27			DATE	
	APPR:FSMITH	± .050	± .050		2010/04/09			JCOMERCI	
		± .000	± .000					DATE	
		± .000	± .000					FSMITH	
		± .000	± .000					DATE	
		± .000	± .000					2010/04/09	
		± .000	± .000					MATERIAL NO.	
		± .000	± .000					SEE CHART	
		± .000	± .000					DOCUMENT NO.	
		± .000	± .000					SD-46014-003	
		± .000	± .000					SHEET NO.	
		± .000	± .000					1 OF 1	
		± .000	± .000					THIS DRAWING CONTAINS INFORMATION THAT IS PROPRIETARY TO MOLEX INCORPORATED AND SHOULD NOT BE USED WITHOUT WRITTEN PERMISSION	