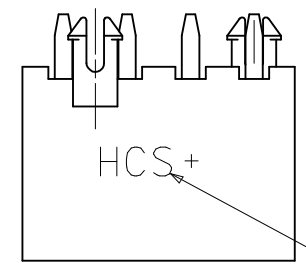


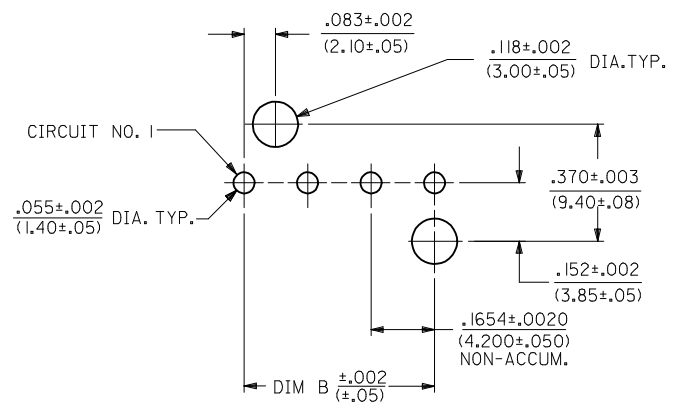
ITEM NO.	CKT SIZE	HOUSING MATERIAL	PLATING	DIM A	DIM B	VOIDED CIRCUITS	DRAIN HOLES
46014-0404	4	V-0	TIN	.709 (18.00)	.496 (12.60)	NONE	NO
46014-0405		V-2					
46014-0406		V-0	GOLD				
46014-0407		V-2					
46014-0503	5	V-0	TIN	.874 (22.20)	.661 (16.80)	NONE	NO
46014-0504		V-0	GOLD				

PART NUMBERS WITH VOIDED CIRCUITS

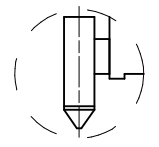
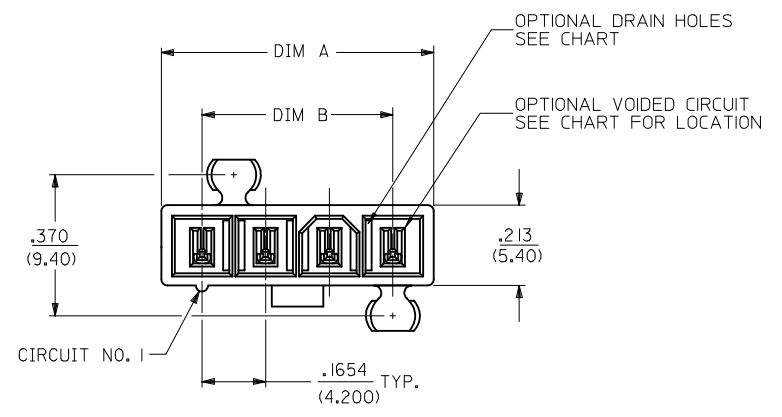
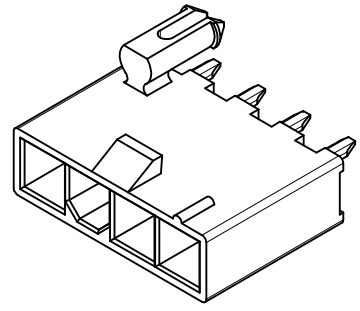
ITEM NO.	CKT SIZE	HOUSING MATERIAL	PLATING	DIM A	DIM B	VOIDED CIRCUITS	DRAIN HOLES
46014-5001	5	V-0	GOLD	.874 (22.20)	.661 (16.80)	3	NO



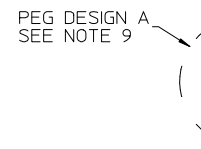
SEE NOTE 7



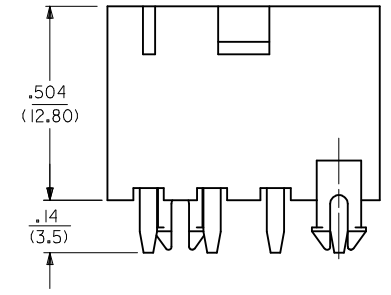
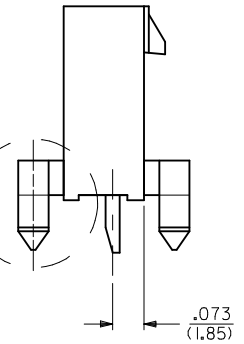
RECOMMENDED HOLE LAYOUT FOR  
.070/(1.78) MAX. THICK P. C. BOARD



PEG DESIGN B  
SEE NOTE 9



PEG DESIGN A  
SEE NOTE 9



- NOTES:
- MATERIALS:  
HOUSING: 1 - NYLON 6/6, UL 94V-2, COLOR: NATURAL  
2 - NYLON 6/6, UL 94V-0, COLOR: NATURAL  
TERMINALS: COPPER ALLOY
  - TERMINAL PLATING:  
1 - .000100/(.00254) MIN. MATTE TIN OVER  
.000050/(.00127) MIN. NICKEL OVERALL  
2 - .000030/(.00076) MIN. SELECT GOLD AND  
.000100/(.00254) MIN. SELECT MATTE TIN OVER  
.000050/(.00127) MIN. NICKEL OVERALL
  - PRODUCT SPECIFICATION: PS-45750-001
  - PACKAGING: TRAY PACK PER PK-5566-002
  - PART MATES WITH WITH MINI-FIT JR. RECEPTACLE #5557.
  - PART IS NOT DESIGNED FOR CURRENT SHARING.
  - PARTS TO HAVE "HCS+" MARKING.
  - PART CONFORMS TO CLASS "B" REQUIREMENTS OF COSMETIC SPECIFICATION PS-45499-002.
  - 4 CIRCUIT PARTS WILL HAVE PEG DESIGN A. ALL OTHER CIRCUIT SIZES WILL HAVE PEG DESIGN B.

CORRECT PEGS EC NO: UCP2014-0016 DR: NANGUYEN CHKD: BELL APPR: FSMITH	DESCRIPTION 2013/07/01 2013/07/01 2013/07/19	QUALITY SYMBOLS	GENERAL TOLERANCES (UNLESS SPECIFIED)	DIMENSION STYLE IN/MM	SCALE 4:1	DESIGN UNITS METRIC	THIRD ANGLE PROJECTION	
		▽=0	4 PLACES ± --- ± ---	DRAWN BY TREGOR1	DATE 2006/04/27	TITLE VERTICAL HEADER ASSEMBLY SINGLE ROW, 4 & 5 CKT MINI-FIT PLUS HCS SERIES <b>molex</b> DOCUMENT NO. SD-46014-001 SHEET NO. 1 OF 1		
		▽=0	3 PLACES ± --- ± .010	CHECKED BY JCOMERC I	DATE 2006/04/27			
		▽=0	2 PLACES ± 0.25 ± .020	APPROVED BY FSMITH	DATE 2012/02/02			
▽=0	1 PLACE ± 0.50 ± ---	MATERIAL NO. SEE CHART						
B2	REV	ANGULAR ±1/2°	DRAFT WHERE APPLICABLE MUST REMAIN WITHIN DIMENSIONS	SIZE C	THIS DRAWING CONTAINS INFORMATION THAT IS PROPRIETARY TO MOLEX INCORPORATED AND SHOULD NOT BE USED WITHOUT WRITTEN PERMISSION			