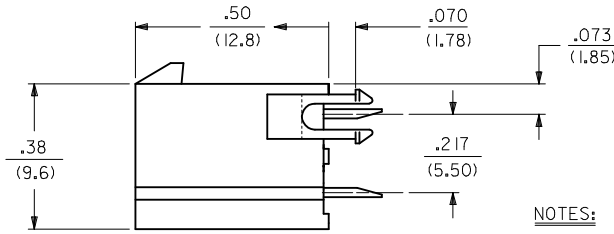
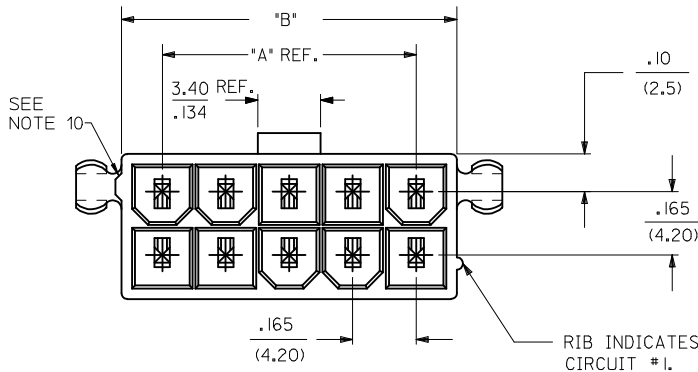
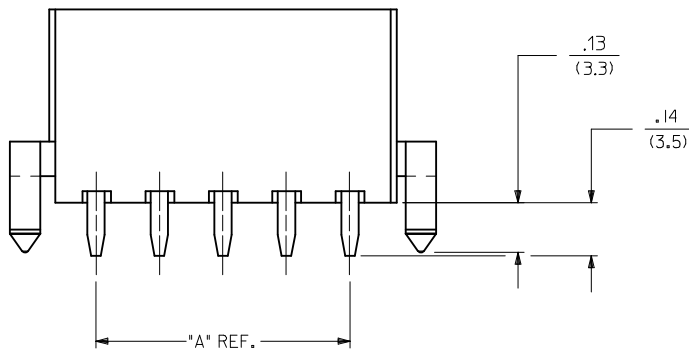


CIRCUIT SIZE	DIM. "A"	DIM. "B"	DIM. "C"
2	—	.21 (5.4)	.370 (9.40)
4	.17 (4.2)	.38 (9.6)	.535 (13.60)
6	.33 (8.4)	.54 (13.8)	.701 (17.80)
8	.50 (12.6)	.71 (18.0)	.866 (22.00)
10	.66 (16.8)	.87 (22.2)	1.031 (26.20)
12	.83 (21.0)	1.04 (26.4)	1.197 (30.40)
14	.99 (25.2)	1.20 (30.6)	1.362 (34.60)
16	1.16 (29.4)	1.37 (34.8)	1.528 (38.80)
18	1.32 (33.6)	1.54 (39.0)	1.693 (43.00)
20	1.49 (37.8)	1.70 (43.2)	1.858 (47.20)
22	1.65 (42.0)	1.87 (47.4)	2.024 (51.40)
24	1.82 (46.2)	2.03 (51.6)	2.189 (55.60)



NOTES:

- HOUSING MATERIAL:  
V-2 = NYLON 6/6, UNFILLED U.L. 94V-2, COLOR: NATURAL.  
V-0 = NYLON 6/6, UNFILLED U.L. 94V-0, COLOR: NATURAL.  
GW = NYLON 6, UL94V-0, COLOR: BLACK  
IEC 60335-1 4TH EDITION GLOW WIRE CAPABLE  
TERMINAL MATERIAL: COPPER ALLOY.
- TERMINAL PLATING:  
TIN = .000100/(.00254) MIN. MATTE TIN OVER .000050/(.00127) MIN. NICKEL OVERALL  
GOLD = .000030/(.00080) MIN. SELECT GOLD, .000100/(.00254) MIN. MATTE TIN OVER .000050/(.00127) MIN. NICKEL OVERALL
- PRODUCT SPECIFICATION: PS-45750-001
- PACKAGING SPECIFICATION: PK-5566-001.
- PART MATES WITH MINI-FIT JR. RECEPTACLE NO. 5557.
- PART ARE NOT TO BE MATED OR UN-MATED WHILE CIRCUITS ARE LIVE.
- PARTS TO HAVE "HCS+" MARKING
- PART CONFORMS TO CLASS B OF COSMETIC SPECIFICATION PS-45499-002 WITH THE EXCEPTION OF DISCOLORATION, FLASH, AND SINK MEET CLASS "C" REQUIREMENTS.
- PART IS NOT DESIGNED FOR CURRENT SHARING.
- ANTI-SHINGLING RIB MAY OR MAY NOT APPEAR ON HOUSINGS.



ADD 46015 GW P/N'S EC NO: UCP2013-4049 DRWINANGUYEN 2013/03/25 CHKD:JBELL 2013/03/25 APPR:FSMITH 2013/04/10	QUALITY SYMBOLS ▽=0 ▽=0 ▽=0	GENERAL TOLERANCES (UNLESS SPECIFIED)		DIMENSION STYLE IN/MM		SCALE 4:1	DESIGN UNITS METRIC	THIRD ANGLE PROJECTION	
		4 PLACES ± --- ± ---	3 PLACES ± --- ± .010	2 PLACES ± 0.25 ± .020	1 PLACE ± 0.50 ± ---	0 PLACE ± ±	DRAWN BY DATE TGREGORI 2006/04/27		CHECKED BY DATE JCOMERCI
C2	REV	ANGULAR ±1/2°		MATERIAL NO. SEE TABLE		APPROVED BY DATE FSMITH 2010/04/09		TITLE VERTICAL HEADER ASSEMBLY DUAL ROW MINI-FIT PLUS HCS SERIES	
		DRAFT WHERE APPLICABLE MUST REMAIN WITHIN DIMENSIONS		DOCUMENT NO. SD-46015-001		SHEET NO. 1 OF 2		MATERIAL NO. SD-46015-001	
THIS DRAWING CONTAINS INFORMATION THAT IS PROPRIETARY TO MOLEX INCORPORATED AND SHOULD NOT BE USED WITHOUT WRITTEN PERMISSION									

13		12		11		10		9		8		7		6		5		4		3		2		1																																																						
ITEM NO.	CKT SIZE	HOUSING MATERIAL	PEGS	PLATING														ITEM NO.	CKT SIZE	HOUSING MATERIAL	PEGS	PLATING																																																								
46015-0202	2	V-0	NO	TIN														46015-1402	14	V-0	NO	GOLD																																																								
46015-0203			YES															46015-1403			YES					TIN																																																				
46015-0206			NO															46015-1406			NO																																																									
46015-0207		YES	46015-1407															YES																																																												
46015-0211		GW	YES																																																																											
46015-0209		V-0	YES																																																																											
46015-0210	GW	YES																																																																												
46015-0402	4	V-0	NO	TIN																														46015-1602	16	V-0	NO	GOLD																																								
46015-0403			YES																															46015-1606			NO						TIN																																			
46015-0406			NO																															46015-1607			YES																																									
46015-0407		YES	46015-1609																															YES																																												
46015-0411		GW	YES																																																																											
46015-0409		V-0	YES																																																																											
46015-0410	GW	YES																																																																												
46015-0602	6	V-0	NO	TIN																																															46015-1802	18	V-0	NO	GOLD																							
46015-0603			YES																																																46015-1803			YES						TIN																		
46015-0606			NO																																																46015-1806			NO																								
46015-0607		YES	46015-1807																																																YES																											
46015-0611		GW	YES																																																																											
46015-0609		V-0	YES																																																																											
46015-0610	GW	YES																																																																												
46015-0802	8	V-0	NO	TIN																																																																46015-2002	20	V-0	NO	GOLD						
46015-0803			YES																																																																	46015-2003			YES						TIN	
46015-0806			NO																																																																	46015-2006			NO							
46015-0807		YES	46015-2007		YES																																																																									
46015-0811		GW	YES																																																																											
46015-0809		V-0	YES																																																																											
46015-0810	GW	YES																																																																												
46015-1002	10	V-0	NO	TIN																			46015-2202	22	V-0																																											NO	GOLD									
46015-1003			YES																				46015-2203																																													YES										TIN
46015-1006			NO																				46015-2206																																													NO										
46015-1007		YES	46015-2207															YES																																																												
46015-1011		GW	YES																																																																											
46015-1009		V-0	YES																																																																											
46015-1010	GW	YES																																																																												
46015-1202	12	V-0	NO	TIN																											46015-2402	24	V-0						NO	GOLD																																						
46015-1203			YES																												46015-2403								YES																																							TIN
46015-1206			NO																												46015-2406								NO																																							
46015-1207		YES	46015-2407																												YES																																															
46015-1211		GW	YES																																																																											
46015-1209		V-0	YES																																																																											
46015-1210	GW	YES																																																																												

<b>SEE SHEET 1</b> EC NO: UCP2013-4049 2013/03/25 DRWINHNGUYEN 2013/03/25 CHKD:JBELL APPR:FSMITH 2013/04/10	QUALITY SYMBOLS 	GENERAL TOLERANCES (UNLESS SPECIFIED)		DIMENSION STYLE IN/MM		SCALE 1:1	DESIGN UNITS METRIC	THIRD ANGLE PROJECTION																					
		<table border="1"> <tr> <th></th> <th>mm</th> <th>INCH</th> </tr> <tr> <td>4 PLACES</td> <td>± .---</td> <td>± .---</td> </tr> <tr> <td>3 PLACES</td> <td>± .---</td> <td>± .010</td> </tr> <tr> <td>2 PLACES</td> <td>± 0.25</td> <td>± .020</td> </tr> <tr> <td>1 PLACE</td> <td>± 0.50</td> <td>± .---</td> </tr> <tr> <td>0 PLACE</td> <td>±</td> <td>±</td> </tr> </table>			mm	INCH	4 PLACES	± .---	± .---	3 PLACES	± .---	± .010	2 PLACES	± 0.25	± .020	1 PLACE	± 0.50	± .---	0 PLACE	±	±	DRAWN BY DATE TGREGORI 2006/04/27		CHECKED BY DATE JCOMERC I		TITLE <b>VERTICAL HEADER ASSEMBLY          DUAL ROW          MINI-FIT PLUS HCS SERIES</b>			
			mm	INCH																									
		4 PLACES	± .---	± .---																									
3 PLACES	± .---	± .010																											
2 PLACES	± 0.25	± .020																											
1 PLACE	± 0.50	± .---																											
0 PLACE	±	±																											
DRAFT WHERE APPLICABLE MUST REMAIN WITHIN DIMENSIONS		APPROVED BY DATE FSMITH 2010/04/09		MATERIAL NO. <b>SEE CHART</b>		DOCUMENT NO. <b>SD-46015-001</b>		SHEET NO. <b>2 OF 2</b>																					
SIZE <b>C</b>		THIS DRAWING CONTAINS INFORMATION THAT IS PROPRIETARY TO MOLEX INCORPORATED AND SHOULD NOT BE USED WITHOUT WRITTEN PERMISSION																											