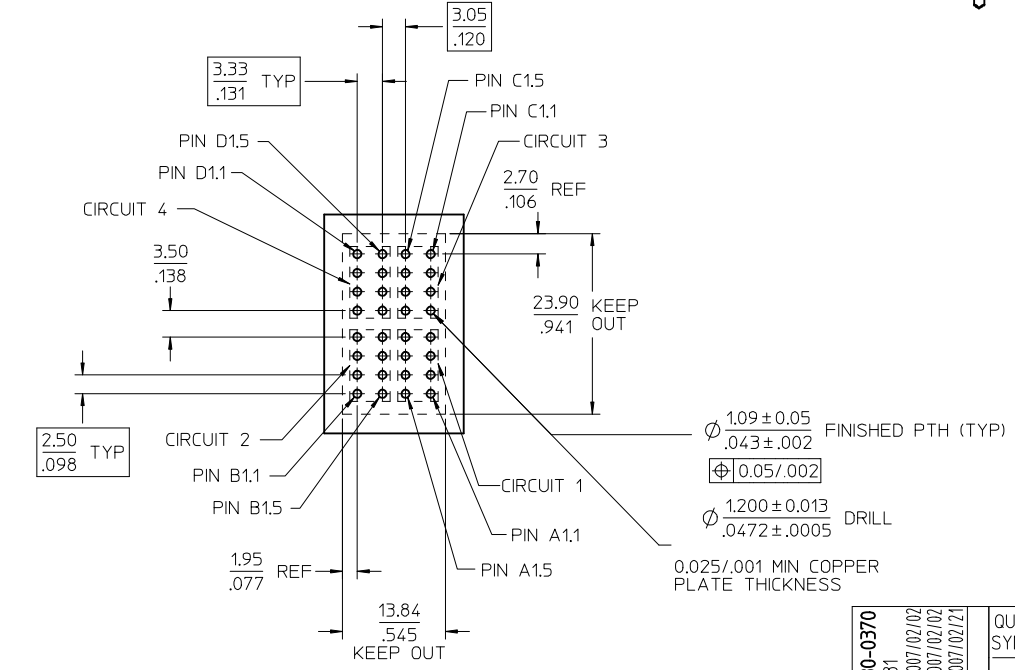
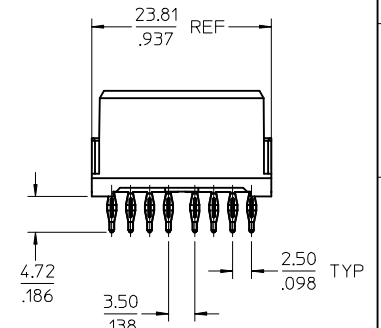
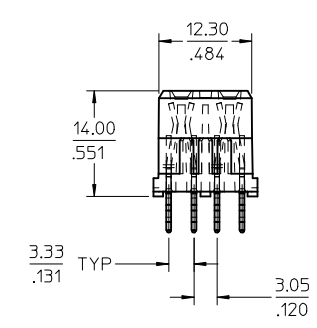
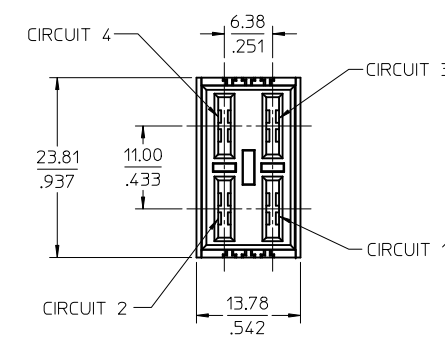
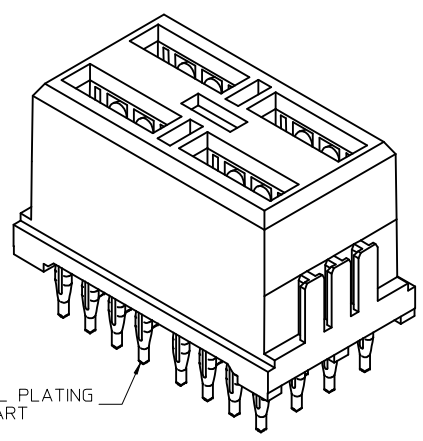
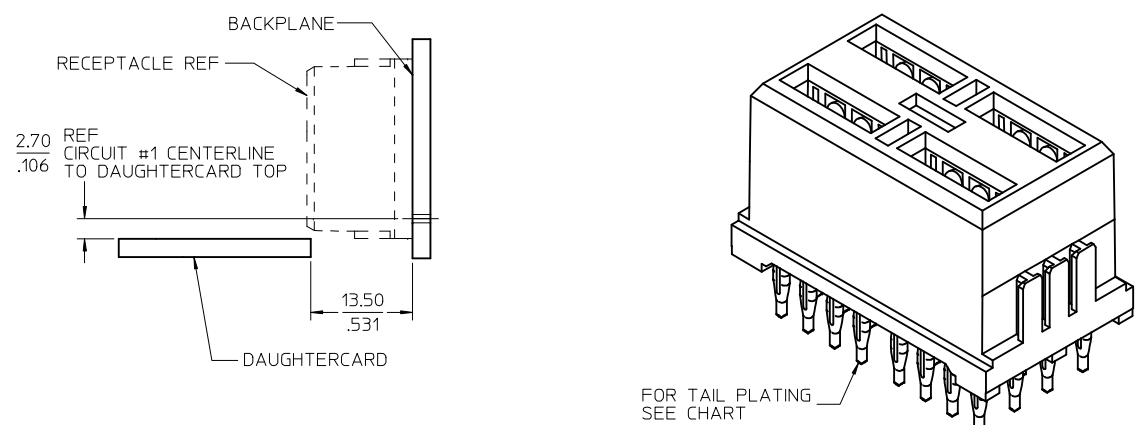


13	12	11	10	9	8	7	6	5	4	3	2	1
PART NUMBER	TAIL PLATING	TAIL VERSION	PLATING									
46079-1000	TIN	PRESS FIT	0.75µm/30µm MIN SELECT HARD GOLD IN CONTACT AREA WITH 2.50µm/100µm MIN SELECT TIN IN TAIL AREA OVER 1.25µm/50µm MIN NICKEL OVERALL									
46079-1001	TIN/LEAD	PRESS FIT	0.75µm/30µm MIN SELECT HARD GOLD IN CONTACT AREA WITH 2.50µm/100µm MIN SELECT TIN/LEAD IN TAIL AREA OVER 1.25µm/50µm MIN NICKEL OVERALL									

- NOTES:
- MATERIALS:
 - HOUSING: 30% GLASS FILLED, LCP 94V-0, COLOR BLACK
 - TERMINALS: COPPER ALLOY
 PLATING:
 - SEE CHART
 LUBRICATION: EB1 IN CONTACT AREA
 - PLUG MATES WITH PLUG ASSEMBLY 46081-****
 - MODULE IS DESIGNED FOR PRESS FIT TO THE PCB
 - MODULE ASSEMBLY IS RoHS COMPLIANT
 - MODULES TO BE UL & CSA LISTED PER UL-1977
 - AVERAGE INSERTION FORCE INTO PCB IS 8.2 kg/18 lbs PER TAIL
 - PRODUCT PERFORMANCE AND RATING PER PS-75431-****
 - APPLICATION SPEC PER AS-75541-****
 - RECOMMENDED PCB DRILL HOLE DIA 1.180/.0465 (#56 DRILL)
 - FOR MODULE CONFIGURATION SEE DRAWING SD-75541-001



PCB LAYOUT
2.40/.094 MIN THICK

REVISED PER EC1030-0370 EC NO: UCP2007-1931 DRAWN: PBAKKE 2007/02/02 CHKD: 2007/02/02 APPR: APATEL 2007/02/12	QUALITY SYMBOLS	GENERAL TOLERANCES (UNLESS SPECIFIED)	DIMENSION STYLE	SCALE	DESIGN UNITS	THIRD ANGLE PROJECTION	
	▽=0	mm INCH	MM/IN	2:1	METRIC		
	▽=0	4 PLACES ± --- ± --- 3 PLACES ± --- ± .008 2 PLACES ± 0.20 ± .013 1 PLACE ± 0.33 ± ---	DRAWN BY DATE JQUILES 2005/08/01	TITLE	ASSEMBLY - RECEPTACLE 4 CIRCUIT MULTI PATH		
	▽=0	ANGULAR ± 1/2°	CHECKED BY DATE MDATA 2005/08/04	APPROVED BY DATE APATEL 2005/08/05	MOLEX INCORPORATED		
	DRAFT WHERE APPLICABLE MUST REMAIN WITHIN DIMENSIONS	MATERIAL NO. SEE CHART	DOCUMENT NO. SD-46079-100	SHEET NO. 1 OF 1			
		THIS DRAWING CONTAINS INFORMATION THAT IS PROPRIETARY TO MOLEX INCORPORATED AND SHOULD NOT BE USED WITHOUT WRITTEN PERMISSION					