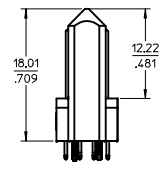
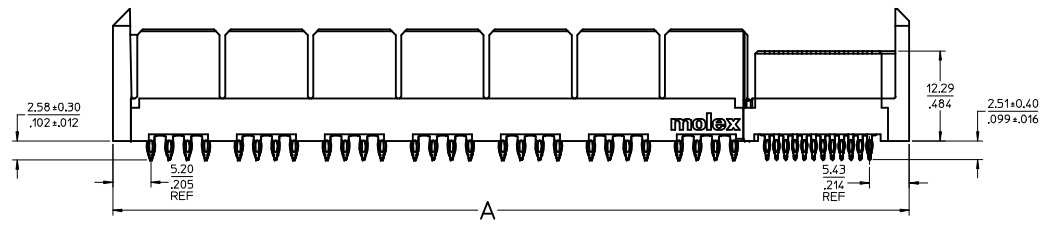
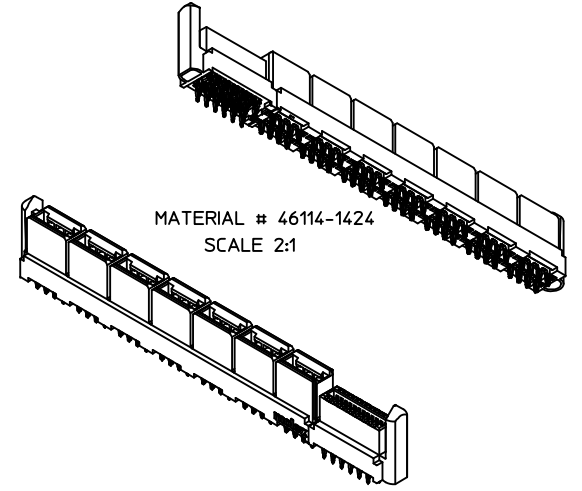
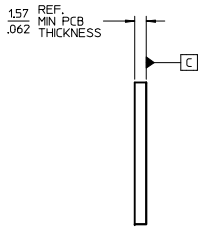
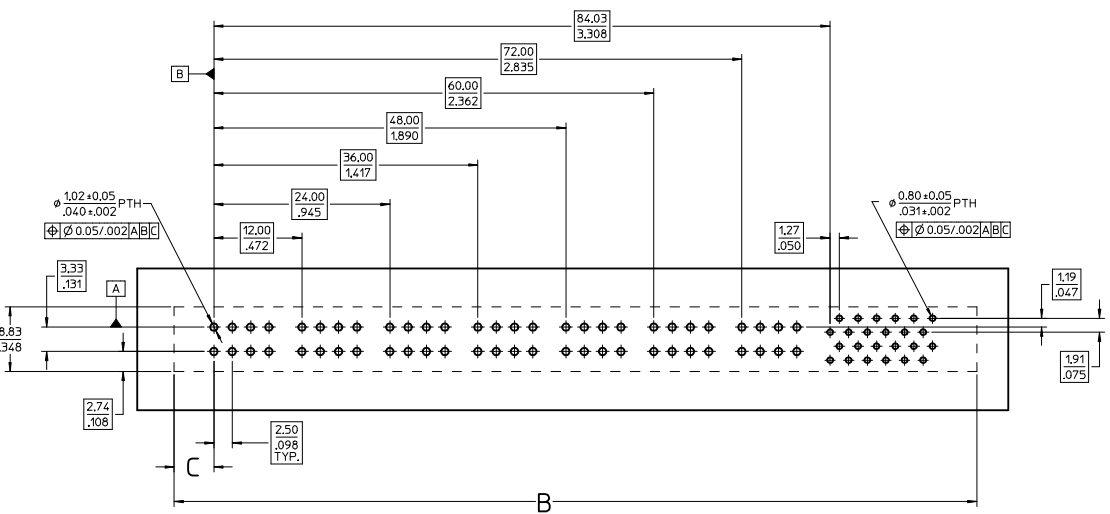


| NO OF SIGNALS | MATERIAL NUMBER | COMPLIANT PIN PLATING | DM A | DM B | DM C |
|---------------|-----------------|-----------------------|--------------|--------------|----------|
| 12 | 46114-1412 | TIN | 101.01/3.977 | 101.51/3.996 | 5.45/215 |
| | 46114-1512 | TIN-LEAD | | | |
| 16 | 46114-1416 | TIN | 103.55/4.077 | 104.05/4.096 | |
| | 46114-1516 | TIN-LEAD | | | |
| 20 | 46114-1420 | TIN | 106.09/4.177 | 106.59/4.196 | |
| | 46114-1520 | TIN-LEAD | | | |
| 24 | 46114-1424 | TIN | 108.63/4.277 | 109.13/4.296 | |
| | 46114-1524 | TIN-LEAD | | | |
| 28 | 46114-1428 | TIN | 111.17/4.377 | 111.67/4.396 | |
| | 46114-1528 | TIN-LEAD | | | |
| 32 | 46114-1432 | TIN | 113.71/4.477 | 114.21/4.496 | |
| | 46114-1532 | TIN-LEAD | | | |
| 36 | 46114-1436 | TIN | 116.25/4.577 | 116.75/4.596 | |
| | 46114-1536 | TIN-LEAD | | | |
| 40 | 46114-1440 | TIN | 118.79/4.677 | 119.29/4.696 | |
| | 46114-1540 | TIN-LEAD | | | |

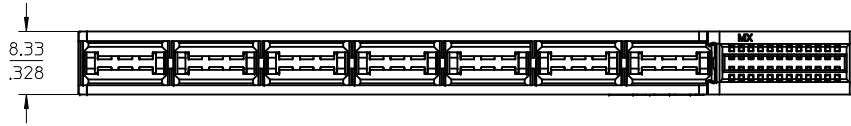


- NOTES:
- MATERIAL: HOUSING: LCP, 94-V0, COLOR: BLACK. POWER CONTACTS: COPPER ALLOY. SIGNAL CONTACTS: MODIFIED TIN BRASS.
 - FINISH: SELECT GOLD - 0.75 μM/30 μ INCHES. SELECTED TIN - 2.50 μM/100 μ INCHES. OR SELECTED TIN-LEAD - 1.91 μM/75 μ INCHES. BOTH OVER NICKEL - 1.25 μM/50 μ INCHES.
 - POWER TERMINALS ARE LUBRICATED IN CONTACT AREA.
 - PARTS ARE ROHS COMPLIANT.
 - MATES TO MOLEX P/N 45986-SERIES OR EDGE CARD 1571.062.
 - PRODUCT SPECIFICATION PS-46114-001.
 - PACKAGING: PER PK-46114-003.

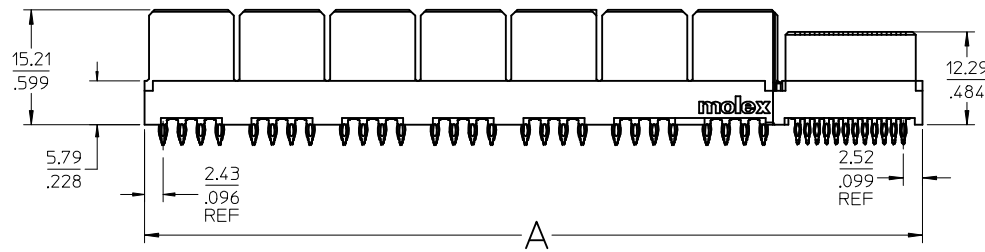
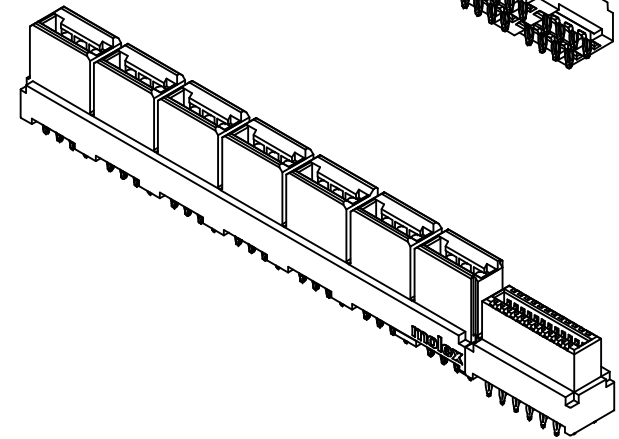
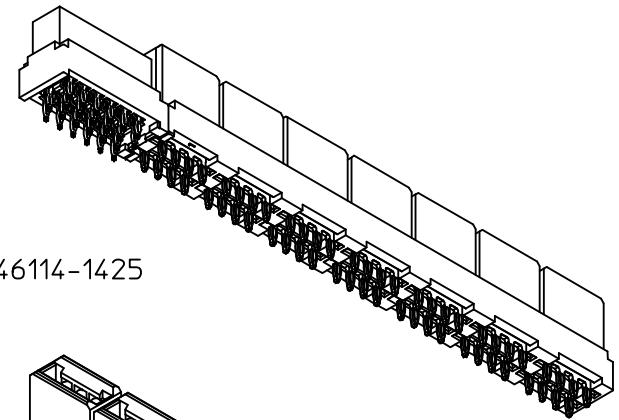


| TOLERANCE CHANGE DEC NO: LCP2012-2701 DRAWN: MKARADI MAS 2012/06/22 CHKD: APPR: APATEL 2012/07/30 | QUALITY SYMBOLS | GENERAL TOLERANCES (UNLESS SPECIFIED) | | DIMENSION STYLE | SCALE | DESIGN UNITS | THIRD ANGLE PROJECTION |
|---|-----------------|--|---|-----------------|-------|--------------|------------------------|
| | | mm | INCH | MM/IN | 2:1 | METRIC | ⊙ |
| | | 4 PLACES | ± --- | ± --- | | | |
| | | 3 PLACES | ± --- | ± .010 | | | |
| | | 2 PLACES | ± 0.25 | ± --- | | | |
| | | 1 PLACE | ± --- | ± --- | | | |
| | | ANGULAR ±1/2° | | | | | |
| | | DRAFT WHERE APPLICABLE MUST REMAIN WITHIN DIMENSIONS | | | | | |
| | | MATERIAL NO. | SEE CHART | | | | |
| | | DATE | 2009/12/03 | | | | |
| | | DATE | 2007/07/18 | | | | |
| | | DATE | 2007/07/20 | | | | |
| | | DATE | 2009/12/03 | | | | |
| | | DESCRIPTION | LPH VERTICAL RECEPTACLE COMPLIANT PIN ASSEMBLY 14CKT PWR CON, PRESS FIT | | | | |
| | | APPROVED BY | MOLEX INCORPORATED | | | | |
| | | DATE | SD-46114-140 | | | | |
| | | DATE | 1 OF 3 | | | | |
| | | DATE | THIS DRAWING CONTAINS INFORMATION THAT IS PROPRIETARY TO MOLEX INCORPORATED AND SHOULD NOT BE USED WITHOUT WRITTEN PERMISSION | | | | |

13 12 11 10 9 8 7 6 5 4 3 2 1



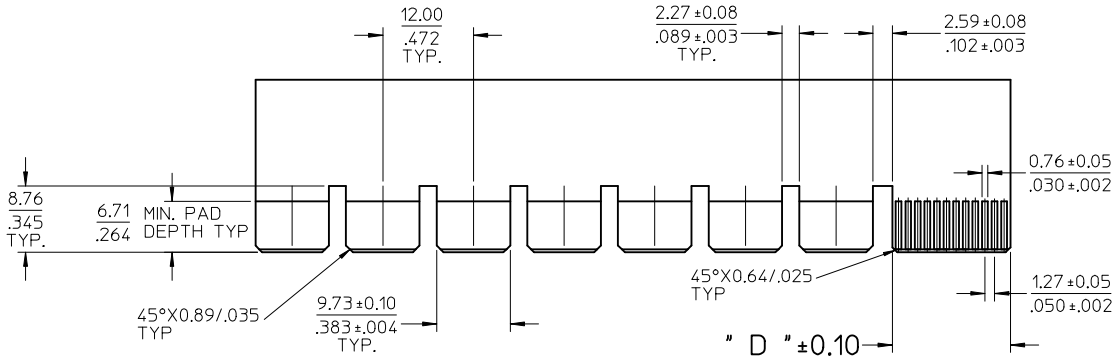
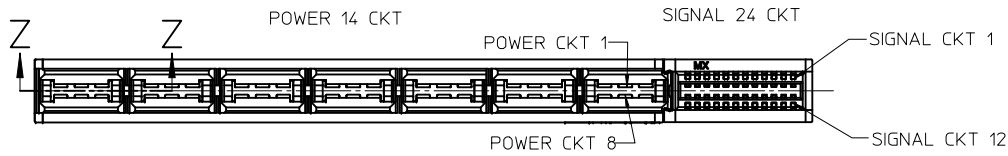
MATERIAL # 46114-1425
SHOWN



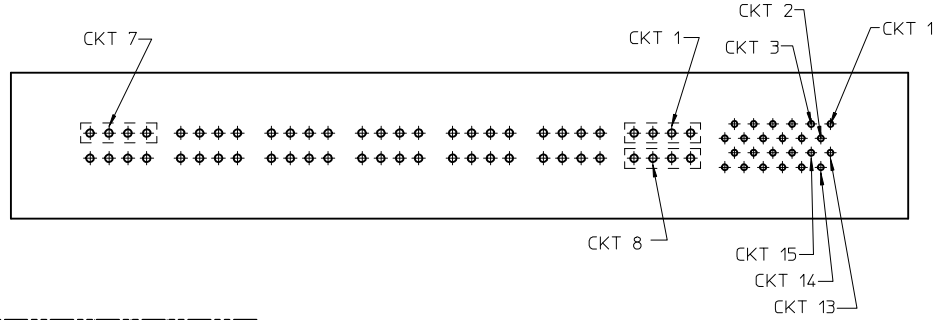
| NO OF SIGNALS | MATERIAL NUMBER | COMPLIANT PIN PLATING | DIM A | DIM B | DIM C |
|---------------|-----------------|-----------------------|--------------|--------------|-----------|
| 12 | 46114-1413 | TIN | 95.34/3.754 | 95.84/3.773 | 2.69/1.06 |
| | 46114-1513 | TIN-LEAD | | | |
| 16 | 46114-1417 | TIN | 97.88/3.854 | 98.38/3.873 | |
| | 46114-1517 | TIN-LEAD | | | |
| 20 | 46114-1421 | TIN | 100.42/3.954 | 100.92/3.973 | |
| | 46114-1521 | TIN-LEAD | | | |
| 24 | 46114-1425 | TIN | 102.96/4.054 | 103.46/4.073 | |
| | 46114-1525 | TIN-LEAD | | | |
| 28 | 46114-1429 | TIN | 105.50/4.154 | 106.00/4.173 | |
| | 46114-1529 | TIN-LEAD | | | |
| 32 | 46114-1433 | TIN | 108.04/4.254 | 108.54/4.273 | |
| | 46114-1533 | TIN-LEAD | | | |
| 36 | 46114-1437 | TIN | 110.58/4.354 | 111.04/4.373 | |
| | 46114-1537 | TIN-LEAD | | | |
| 40 | 46114-1441 | TIN | 113.12/4.454 | 113.62/4.473 | |
| | 46114-1541 | TIN-LEAD | | | |

| | | | | | | | |
|---|-----------------|--|---|----------------------|--|--------------------------|--|
| SEE SHEET 1 EC NO: UCP2012-2701 DRAWN: MKARADIMAS 2012/06/22 CHKD: APPR: APATEL 2012/07/30 REV: | QUALITY SYMBOLS | GENERAL TOLERANCES (UNLESS SPECIFIED) | DIMENSION STYLE MM/IN | SCALE 2:1 | DESIGN UNITS METRIC | THIRD ANGLE PROJECTION | |
| | | | DRAWN BY MKARADIMAS | DATE 2007/07/18 | TITLE LPH VERTICAL RECEPTACLE COMPLIANT PIN ASSEMBLY 14CKT PWR CON, PRESS FIT | | |
| | | | 4 PLACES ± --- ± --- 3 PLACES ± --- ± .010 2 PLACES ± 0.25 ± --- 1 PLACE ± --- ± --- | CHECKED BY APATEL | DATE 2007/07/20 | APPROVED BY JCOMERC I | |
| | | | ANGULAR ± 1/2° | DATE 2009/12/03 | MATERIAL NO. SD-46114-140 | | |
| | | DRAFT WHERE APPLICABLE MUST REMAIN WITHIN DIMENSIONS | SEE CHART | DOCUMENT NO. | SHEET NO. 2 OF 3 | | |
| | | | THIS DRAWING CONTAINS INFORMATION THAT IS PROPRIETARY TO MOLEX INCORPORATED AND SHOULD NOT BE USED WITHOUT WRITTEN PERMISSION | | | | |

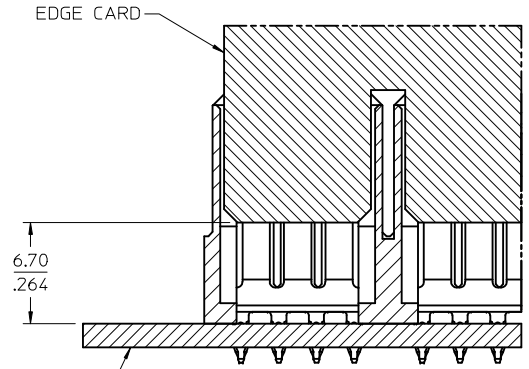
| NO OF SIGNAL | DIM. D |
|--------------|-------------|
| 12 | 8.00/.315 |
| 16 | 10.54/.415 |
| 20 | 13.08/.515 |
| 24 | 15.62/.615 |
| 28 | 18.16/.715 |
| 32 | 20.70/.815 |
| 36 | 23.24/.915 |
| 40 | 25.78/1.015 |



RECOMMENDED EDGE CARD LAYOUT
 EDGE CARD THICKNESS: 1.57/.062
 PLATING: GOLD 30 μ INCHES MIN.
 OVER 150 μ INCHES NICKEL.



PCB LAYOUT: COMPONENT SIDE
 SEE SHT 1 FOR DIMENSIONS



SECTION Z-Z
 SCALE 4:1

| SEE SHEET 1 EC NO: UCP2012-2701 DRW:MKARADIMAS 2012/06/22 CHKD: APPR:APATEL 2012/07/30 | QUALITY SYMBOLS | GENERAL TOLERANCES (UNLESS SPECIFIED) | DIMENSION STYLE MM/IN | SCALE 2:1 | DESIGN UNITS METRIC | THIRD ANGLE PROJECTION | | | | | | | | | | | | | | | |
|--|-----------------|---|--------------------------|---|------------------------|------------------------|--------|--------|----------|--------|--------|----------|--------|--------|---------|--------|--------|--|--|--|--|
| | | <table border="1"> <tr> <th></th> <th>mm</th> <th>INCH</th> </tr> <tr> <td>4 PLACES</td> <td>± .010</td> <td>± .004</td> </tr> <tr> <td>3 PLACES</td> <td>± .010</td> <td>± .004</td> </tr> <tr> <td>2 PLACES</td> <td>± .025</td> <td>± .010</td> </tr> <tr> <td>1 PLACE</td> <td>± .050</td> <td>± .020</td> </tr> </table> | | mm | INCH | 4 PLACES | ± .010 | ± .004 | 3 PLACES | ± .010 | ± .004 | 2 PLACES | ± .025 | ± .010 | 1 PLACE | ± .050 | ± .020 | DRAWN BY: MKARADIMAS DATE: 2007/07/18 CHECKED BY: APATEL DATE: 2007/07/20 APPROVED BY: JCOMERC I DATE: 2009/12/03 | TITLE: LPH VERTICAL RECEPTACLE COMPLIANT PIN ASSEMBLY 14CKT PWR CON, PRESS FIT | | |
| | | mm | INCH | | | | | | | | | | | | | | | | | | |
| | 4 PLACES | ± .010 | ± .004 | | | | | | | | | | | | | | | | | | |
| 3 PLACES | ± .010 | ± .004 | | | | | | | | | | | | | | | | | | | |
| 2 PLACES | ± .025 | ± .010 | | | | | | | | | | | | | | | | | | | |
| 1 PLACE | ± .050 | ± .020 | | | | | | | | | | | | | | | | | | | |
| | ANGULAR ±1/2° | DRAFT WHERE APPLICABLE MUST REMAIN WITHIN DIMENSIONS | SEE CHART | MOLEX INCORPORATED DOCUMENT NO. SD-46114-140 | | | | | | | | | | | | | | | | | |
| | | | SIZE C | THIS DRAWING CONTAINS INFORMATION THAT IS PROPRIETARY TO MOLEX INCORPORATED AND SHOULD NOT BE USED WITHOUT WRITTEN PERMISSION | | | | | | | | | | | | | | | | | |