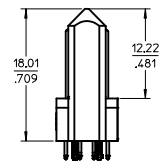
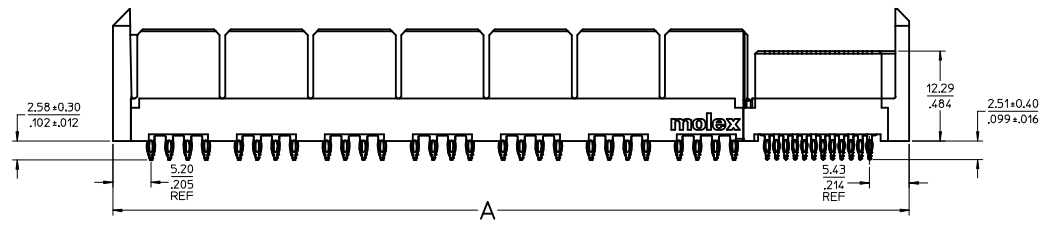
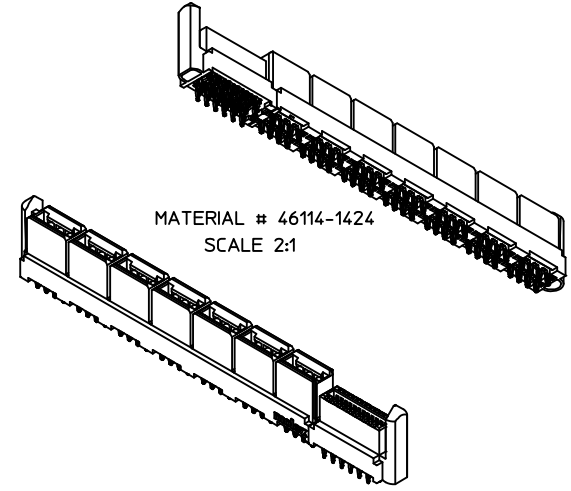
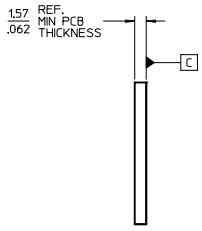
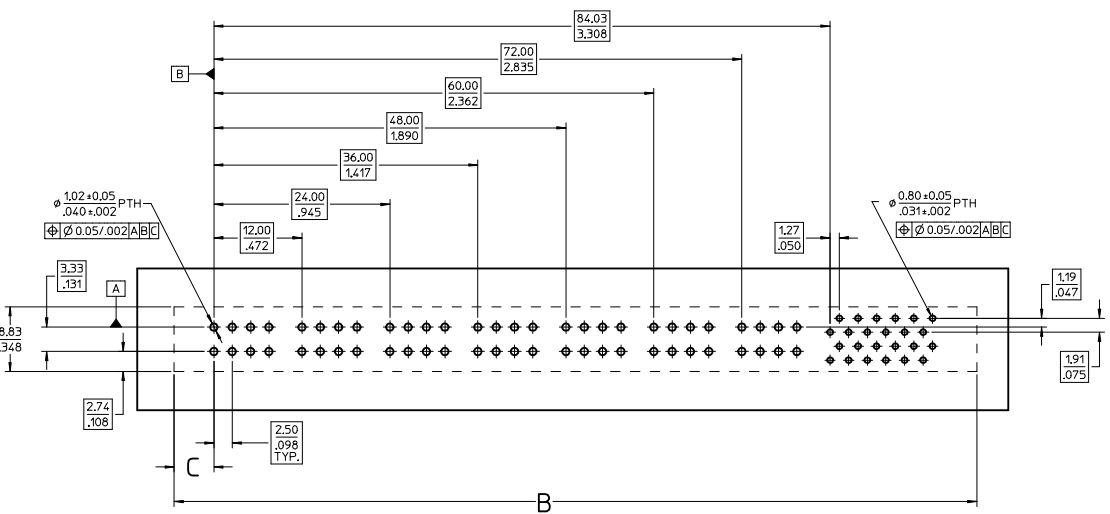


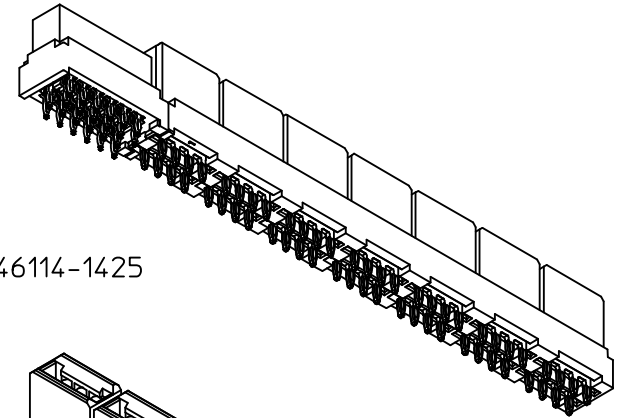
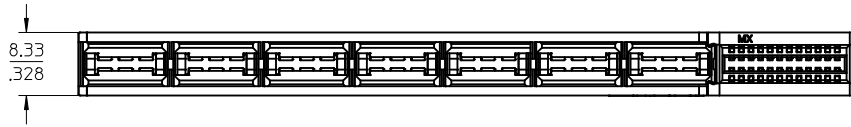
NO OF SIGNALS	MATERIAL NUMBER	COMPLIANT PIN PLATING	DM A	DM B	DM C
12	46114-1412	TIN	101.01/3.977	101.51/3.996	5.45/215
	46114-1512	TIN-LEAD			
16	46114-1416	TIN	103.55/4.077	104.05/4.096	
	46114-1516	TIN-LEAD			
20	46114-1420	TIN	106.09/4.177	106.59/4.196	
	46114-1520	TIN-LEAD			
24	46114-1424	TIN	108.63/4.277	109.13/4.296	
	46114-1524	TIN-LEAD			
28	46114-1428	TIN	111.17/4.377	111.67/4.396	
	46114-1528	TIN-LEAD			
32	46114-1432	TIN	113.71/4.477	114.21/4.496	
	46114-1532	TIN-LEAD			
36	46114-1436	TIN	116.25/4.577	116.75/4.596	
	46114-1536	TIN-LEAD			
40	46114-1440	TIN	118.79/4.677	119.29/4.696	
	46114-1540	TIN-LEAD			



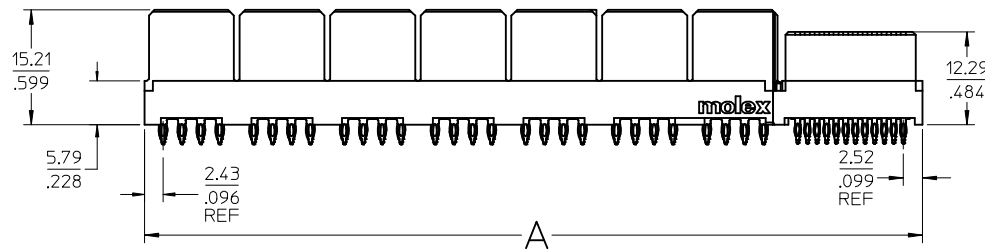
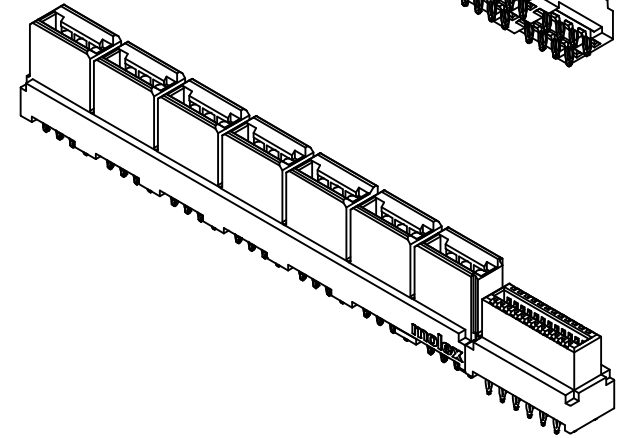
- NOTES:
- MATERIAL: HOUSING: LCP, 94-V0, COLOR: BLACK.
POWER CONTACTS: COPPER ALLOY.
SIGNAL CONTACTS: MODIFIED TIN BRASS.
 - FINISH: SELECT GOLD - 0.75 μM/30 μ INCHES
SELECTED TIN - 2.50 μM/100 μ INCHES
OR SELECTED TIN-LEAD - 1.91 μM/75 μ INCHES
BOTH OVER NICKEL - 1.25 μM/50 μ INCHES
 - POWER TERMINALS ARE LUBRICATED IN CONTACT AREA.
 - PARTS ARE ROHS COMPLIANT.
 - MATES TO MOLEX P/N 45986-SERIES OR EDGE CARD 1571.062.
 - PRODUCT SPECIFICATION PS-46114-001.
 - PACKAGING: PER PK-46114-003.



TOLERANCE CHANGE IEC NO: IJCP2012-2701 DRAWN: MKARADI MAS 2012/06/22 CHKD: C APPR: APATEL 2012/07/30	QUALITY SYMBOLS	GENERAL TOLERANCES (UNLESS SPECIFIED)		DIMENSION STYLE	SCALE	DESIGN UNITS	THIRD ANGLE PROJECTION
		mm	INCH	MM/IN	2:1	METRIC	⊙
		4 PLACES	± ---	± ---			
		3 PLACES	± ---	± .010			
		2 PLACES	± 0.25	± ---			
		1 PLACE	± ---	± ---			
		ANGULAR ±1/2°					
		DRAFT WHERE APPLICABLE MUST REMAIN WITHIN DIMENSIONS					
		MATERIAL NO.	SEE CHART				
		DATE	2007/07/18				
		DATE	2007/07/20				
		DATE	2009/12/03				
		DOCUMENT NO.	SD-46114-140				
		SHEET NO.	1 OF 3				



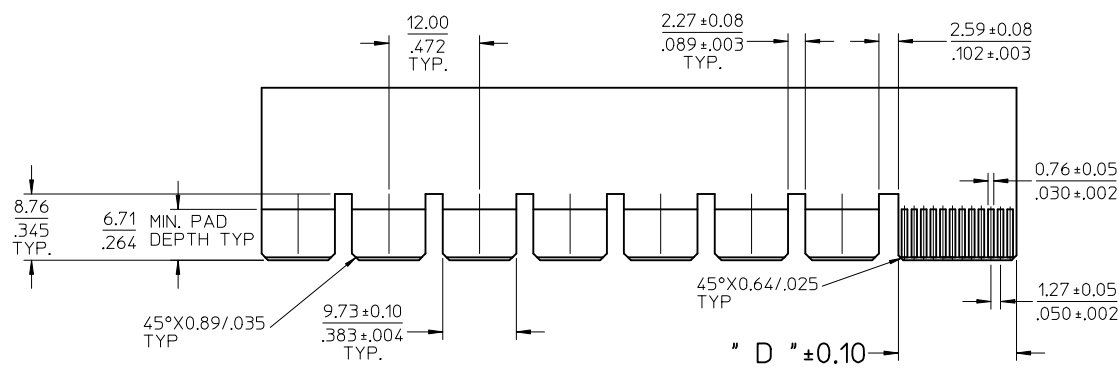
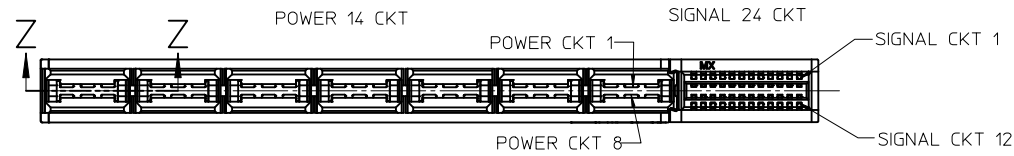
MATERIAL # 46114-1425
SHOWN



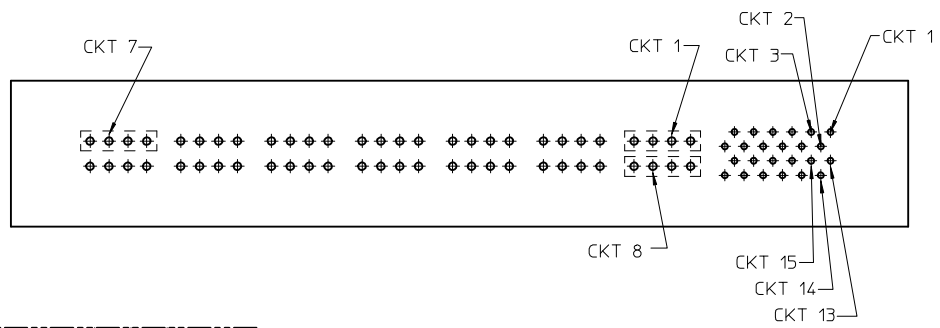
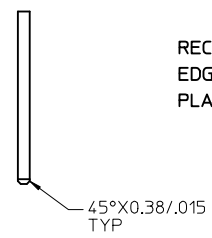
NO OF SIGNALS	MATERIAL NUMBER	COMPLIANT PIN PLATING	DIM A	DIM B	DIM C
12	46114-1413	TIN	95.34/3.754	95.84/3.773	2.69/106
	46114-1513	TIN-LEAD			
16	46114-1417	TIN	97.88/3.854	98.38/3.873	
	46114-1517	TIN-LEAD			
20	46114-1421	TIN	100.42/3.954	100.92/3.973	
	46114-1521	TIN-LEAD			
24	46114-1425	TIN	102.96/4.054	103.46/4.073	
	46114-1525	TIN-LEAD			
28	46114-1429	TIN	105.50/4.154	106.00/4.173	
	46114-1529	TIN-LEAD			
32	46114-1433	TIN	108.04/4.254	108.54/4.273	
	46114-1533	TIN-LEAD			
36	46114-1437	TIN	110.58/4.354	111.04/4.373	
	46114-1537	TIN-LEAD			
40	46114-1441	TIN	113.12/4.454	113.62/4.473	
	46114-1541	TIN-LEAD			

SEE SHEET 1 EC NO: UCP2012-2701 DRAWN: MKARADIMAS 2012/06/22 CHKD: APPR: APATEL 2012/07/30 REV: C3	QUALITY SYMBOLS	GENERAL TOLERANCES (UNLESS SPECIFIED)	DIMENSION STYLE MM/IN	SCALE 2:1	DESIGN UNITS METRIC	THIRD ANGLE PROJECTION	
			DRAWN BY MKARADIMAS	DATE 2007/07/18	TITLE LPH VERTICAL RECEPTACLE COMPLIANT PIN ASSEMBLY 14CKT PWR CON, PRESS FIT		
			4 PLACES ± --- ± --- 3 PLACES ± --- ± .010 2 PLACES ± 0.25 ± --- 1 PLACE ± --- ± ---	CHECKED BY APATEL	DATE 2007/07/20	MOLEX INCORPORATED	
			ANGULAR ± 1/2°	APPROVED BY JCOMERC I	DATE 2009/12/03	MATERIAL NO. SEE CHART DOCUMENT NO. SD-46114-140	
DRAFT WHERE APPLICABLE MUST REMAIN WITHIN DIMENSIONS			SIZE C	THIS DRAWING CONTAINS INFORMATION THAT IS PROPRIETARY TO MOLEX INCORPORATED AND SHOULD NOT BE USED WITHOUT WRITTEN PERMISSION			

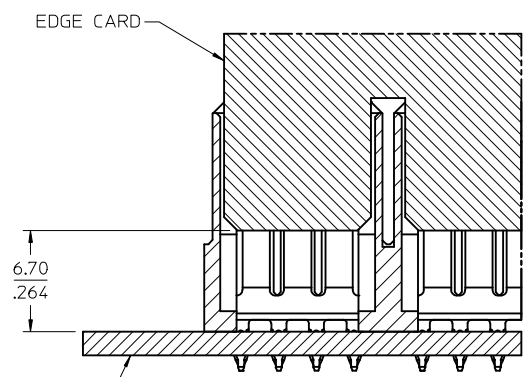
NO OF SIGNAL	DIM. D
12	8.00/.315
16	10.54/.415
20	13.08/.515
24	15.62/.615
28	18.16/.715
32	20.70/.815
36	23.24/.915
40	25.78/1.015



RECOMMENDED EDGE CARD LAYOUT
 EDGE CARD THICKNESS: 1.57/.062
 PLATING: GOLD 30 μ INCHES MIN.
 OVER 150 μ INCHES NICKEL.

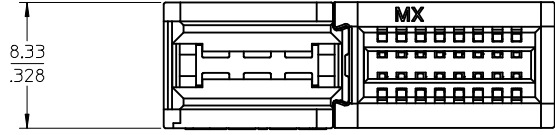


PCB LAYOUT: COMPONENT SIDE
 SEE SHT 1 FOR DIMENSIONS

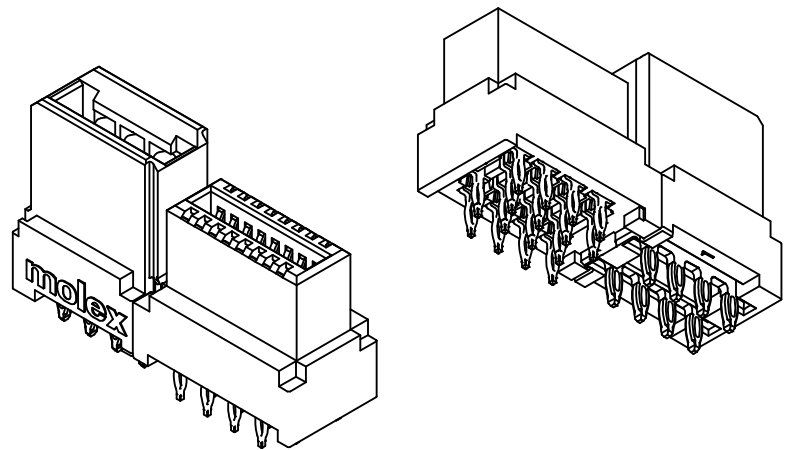
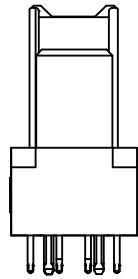
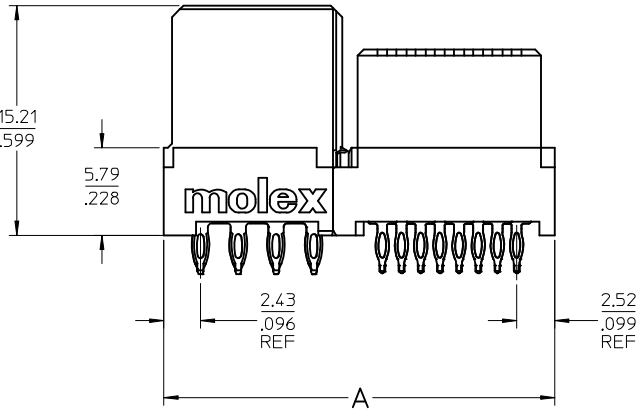


SECTION Z-Z
 SCALE 4:1

SEE SHEET 1 EC NO: UCP2012-2701 DRW:MKARADIMAS 2012/06/22 CHKD: APPR:APATEL 2012/07/30	QUALITY SYMBOLS	GENERAL TOLERANCES (UNLESS SPECIFIED)	DIMENSION STYLE MM/IN	SCALE 2:1	DESIGN UNITS METRIC	THIRD ANGLE PROJECTION															
		<table border="1"> <tr> <th></th> <th>mm</th> <th>INCH</th> </tr> <tr> <td>4 PLACES</td> <td>± ---</td> <td>± ---</td> </tr> <tr> <td>3 PLACES</td> <td>± ---</td> <td>± .010</td> </tr> <tr> <td>2 PLACES</td> <td>± 0.25</td> <td>± ---</td> </tr> <tr> <td>1 PLACE</td> <td>± ---</td> <td>± ---</td> </tr> </table>		mm	INCH	4 PLACES	± ---	± ---	3 PLACES	± ---	± .010	2 PLACES	± 0.25	± ---	1 PLACE	± ---	± ---	DRAWN BY: MKARADIMAS DATE: 2007/07/18 CHECKED BY: APATEL DATE: 2007/07/20 APPROVED BY: JCOMERC I DATE: 2009/12/03	TITLE: LPH VERTICAL RECEPTACLE COMPLIANT PIN ASSEMBLY 14CKT PWR CON, PRESS FIT		
		mm	INCH																		
	4 PLACES	± ---	± ---																		
3 PLACES	± ---	± .010																			
2 PLACES	± 0.25	± ---																			
1 PLACE	± ---	± ---																			
	ANGULAR ±1/2°	DRAFT WHERE APPLICABLE MUST REMAIN WITHIN DIMENSIONS	MATERIAL NO. SEE CHART	MOLEX INCORPORATED DOCUMENT NO. SD-46114-140	SHEET NO. 3 OF 3																
			THIS DRAWING CONTAINS INFORMATION THAT IS PROPRIETARY TO MOLEX INCORPORATED AND SHOULD NOT BE USED WITHOUT WRITTEN PERMISSION																		



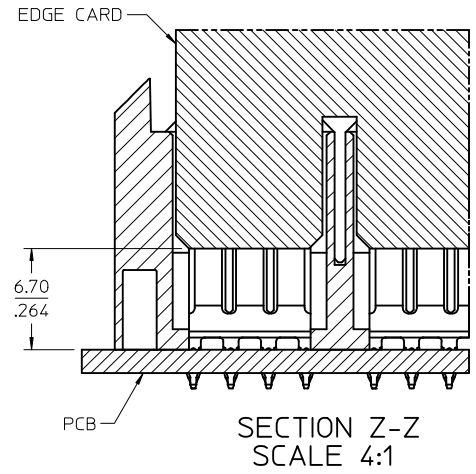
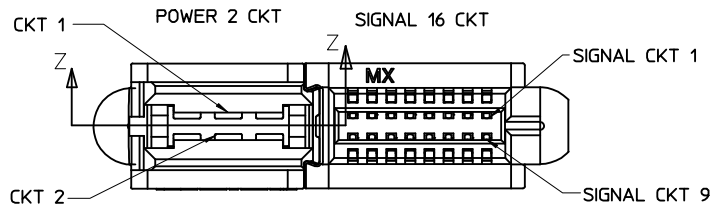
8.33
.328



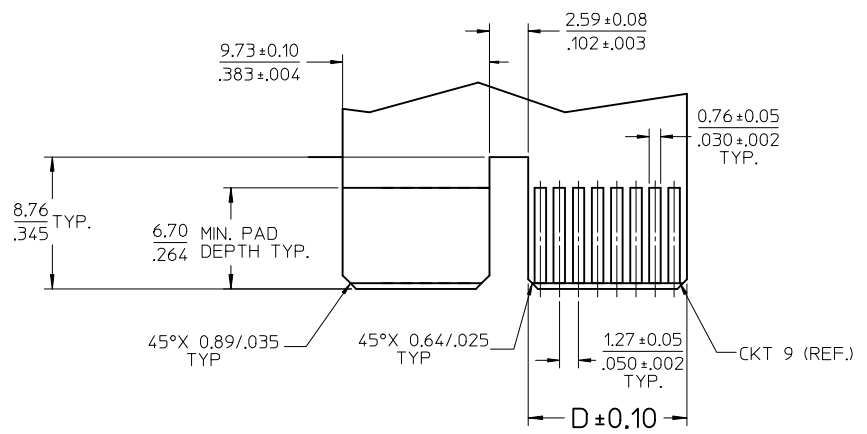
MATERIAL # 46114-2161 SHOWN

NO OF SIGNALS	MATERIAL NUMBER	COMPLIANT PIN PLATING	DIM A	DIM B	DIM C
12	46114-2121	TIN	23.34/.919	23.88/.940	2.69/.106
	46114-3121	TIN-LEAD			
16	46114-2161	TIN	25.88/1.019	26.42/1.040	
	46114-3161	TIN-LEAD			
20	46114-2201	TIN	28.42/1.119	28.96/1.140	
	46114-3201	TIN-LEAD			
24	46114-2241	TIN	30.96/1.219	31.50/1.240	
28	46114-2281	TIN	33.50/1.319	34.04/1.340	
	46114-3281	TIN-LEAD			
32	46114-2321	TIN	36.04/1.419	36.58/1.440	
	46114-3321	TIN-LEAD			
36	46114-2361	TIN	38.58/1.519	39.12/1.540	
	46114-3361	TIN-LEAD			
40	46114-2401	TIN	41.12/1.619	41.66/1.640	
	46114-3401	TIN-LEAD			

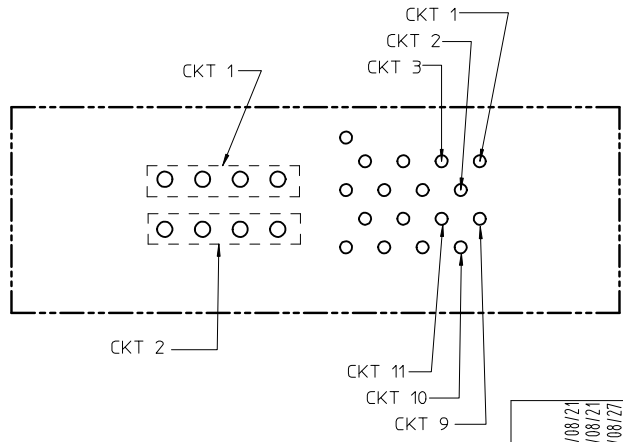
SEE SHT 1 EC NO: UCP2013-0722 DRWN:JUILLES 2012/08/21 CHKD:MKARADIMAS 2012/08/21 APPR:APATEL 2012/08/27	QUALITY SYMBOLS	GENERAL TOLERANCES (UNLESS SPECIFIED)	DIMENSION STYLE MM/IN	SCALE 2:1	DESIGN UNITS METRIC	THIRD ANGLE PROJECTION
	DESCRIPTION	mm	INCH	DRAWN BY MKARADIMAS	DATE 07/23/07	TITLE LPH VERTICAL RECEPTACLE ASSEMBLY 2 CIRCUIT PWR CONNECTOR, PRESS FIT MOLEX INCORPORATED
		4 PLACES ± ---	± ---	CHECKED BY APATEL	DATE 07/25/07	
		3 PLACES ± ---	± .010	APPROVED BY JCOMERC I	DATE 2009/12/03	
2 PLACES ± 0.25	± ---	ANGULAR ± 1/2°		MATERIAL NO.	DOCUMENT NO.	SHEET NO.
1 PLACE ± ---	± ---	DRAFT WHERE APPLICABLE MUST REMAIN WITHIN DIMENSIONS		SEE CHART	SD-46114-200	2 3
REV		SIZE C THIS DRAWING CONTAINS INFORMATION THAT IS PROPRIETARY TO MOLEX INCORPORATED AND SHOULD NOT BE USED WITHOUT WRITTEN PERMISSION				



NO OF SIGNAL	DIM. D
12	8.00/.315
16	10.54/.415
20	13.08/.515
24	15.62/.615
28	18.16/.715
32	20.70/.815
36	23.24/.915
40	25.78/1.015



RECOMMENDED EDGE CARD LAYOUT
 EDGE CARD THICKNESS: 1.57/.062
 PLATING: GOLD 30 μ INCHES MIN.
 OVER 150 μ INCHES NICKEL.



PCB LAYOUT: COMPONENT SIDE
 SEE SHT 1 FOR DIMENSIONS.

SEE SHT 1 IEC NO: UCP2013-0722 DRWN: JUILLES 2012/08/21 CHKD: MKARADIMAS 2012/08/21 APPR: APATEL 2012/08/27	DESCRIPTION	GENERAL TOLERANCES (UNLESS SPECIFIED)		DIMENSION STYLE		SCALE	DESIGN UNITS	THIRD ANGLE PROJECTION		
				MM/IN		4:1	METRIC			
		4 PLACES	± ---	INCH	± ---	DRAWN BY	DATE	TITLE		
		3 PLACES	± ---	± .010	± ---	MKARADIMAS	07/23/07	LPH VERTICAL RECEPTACLE ASSEMBLY 2 CIRCUIT PWR CONNECTOR, PRESS FIT		
2 PLACES	± 0.25	± ---	± ---	CHECKED BY	DATE	MOLEX INCORPORATED				
1 PLACE	± ---	± ---	± ---	APATEL	07/25/07	SD-46114-200				
ANGULAR ± 1/2°				APPROVED BY	DATE	DOCUMENT NO.		SHEET NO.		
				JCOMERC I	2009/12/03			3 OF 3		
DRAFT WHERE APPLICABLE MUST REMAIN WITHIN DIMENSIONS		SEE CHART		MATERIAL NO.		SD-46114-200				
				SIZE		THIS DRAWING CONTAINS INFORMATION THAT IS PROPRIETARY TO MOLEX INCORPORATED AND SHOULD NOT BE USED WITHOUT WRITTEN PERMISSION				
				C						