

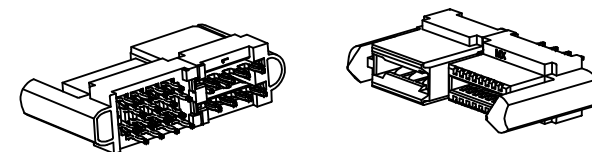
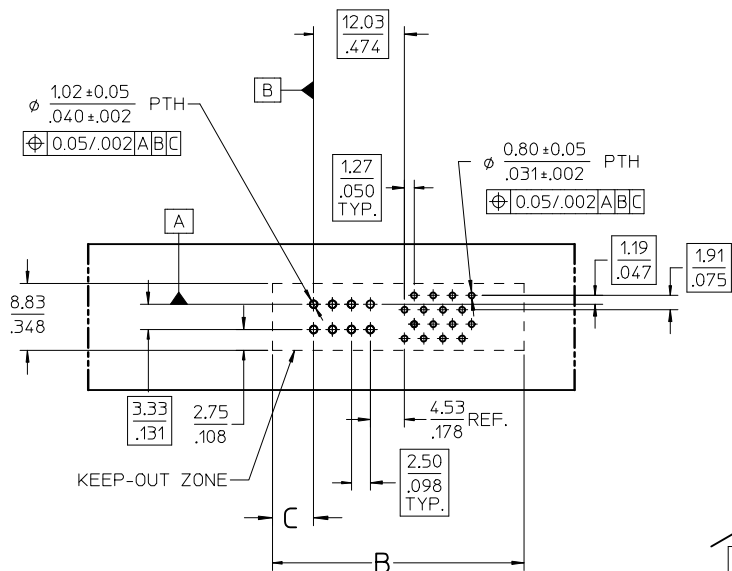
NO OF SIGNALS	MATERIAL NUMBER	COMPLIANT PIN PLATING	DIM A	DIM B	DIM C
12	46114-2120	TIN	29.01/1.142	29.51/1.162	5.45/.215
	46114-3120	TIN-LEAD			
16	46114-2160	TIN	31.55/1.242	32.05/1.262	
	46114-3160	TIN-LEAD			
20	46114-2200	TIN	34.09/1.342	34.59/1.362	
	46114-3200	TIN-LEAD			
24	46114-2240	TIN	36.63/1.442	37.13/1.462	
	46114-3240	TIN-LEAD			
28	46114-2280	TIN	39.17/1.542	39.67/1.562	
	46114-3280	TIN-LEAD			
32	46114-2320	TIN	41.71/1.642	42.21/1.662	
	46114-3320	TIN-LEAD			
36	46114-2360	TIN	44.25/1.742	44.75/1.762	
	46114-3360	TIN-LEAD			
40	46114-2400	TIN	46.79/1.842	47.29/1.862	
	46114-3400	TIN-LEAD			

NOTES:  
 1. MATERIAL: HOUSING: LCP, 94-VO, COLOR: BLACK.  
 POWER CONTACTS: COPPER ALLOY.  
 SIGNAL CONTACTS: MODIFIED TIN BRASS.

2. FINISH: SELECT GOLD - 0.75 μM/30 μ INCHES

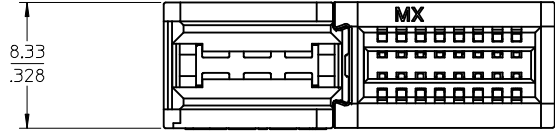
SELECTED TIN - 2.50 μM/100 μ INCHES  
 OR SELECTED TIN-LEAD - 1.88 μM/75 μ INCHES  
 BOTH OVER NICKEL - 1.25 μM/50 μ INCHES

3. POWER TERMINALS ARE LUBRICATED IN CONTACT AREA.  
 4. PARTS ARE RoHS COMPLIANT.  
 5. MATES TO MOLEX P/N 45985-SERIES OR CARD EDGE 1.57/.062.  
 6. PRODUCT SPECIFICATION PS-46114-001.  
 7. PACKAGING: PER PK-46114-003.

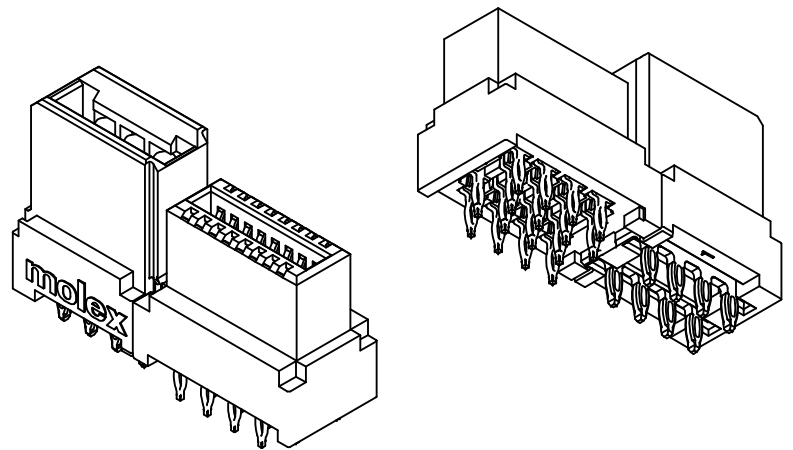
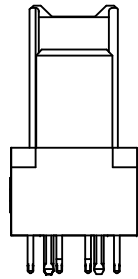
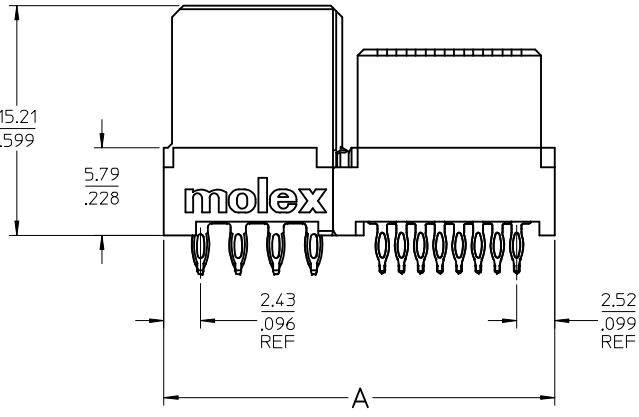


MATERIAL # 46114-2160 SHOWN

OBSOLETE TIN-LEAD P/N EC NO: UCP2013-0722 DRAWN: JUILLES 2012/08/21 CHKD: MKARADIMAS 2012/08/21 APPR: APATEL 2012/08/27	QUALITY SYMBOLS	GENERAL TOLERANCES (UNLESS SPECIFIED)		DIMENSION STYLE	SCALE	DESIGN UNITS	THIRD ANGLE PROJECTION
		mm	INCH	MM/IN	2:1	METRIC	
REV	DESCRIPTION	DRAFT WHERE APPLICABLE MUST REMAIN WITHIN DIMENSIONS		DRAWN BY	DATE	TITLE	
				MKARADIMAS	07/23/07	LPH VERTICAL RECEPTACLE ASSEMBLY 2 CIRCUIT PWR CONNECTOR, PRESS FIT	
		ANGULAR ±1/2°		CHECKED BY	DATE	APPROVED BY	
				APATEL	07/25/07	JCOMERC I 2009/12/03	
				MATERIAL NO.		DOCUMENT NO.	
				SEE CHART		MOLEX INCORPORATED	
						SD-46114-200	
				SIZE		SHEET NO.	
				C THIS DRAWING CONTAINS INFORMATION THAT IS PROPRIETARY TO MOLEX INCORPORATED AND SHOULD NOT BE USED WITHOUT WRITTEN PERMISSION		1 OF 3	



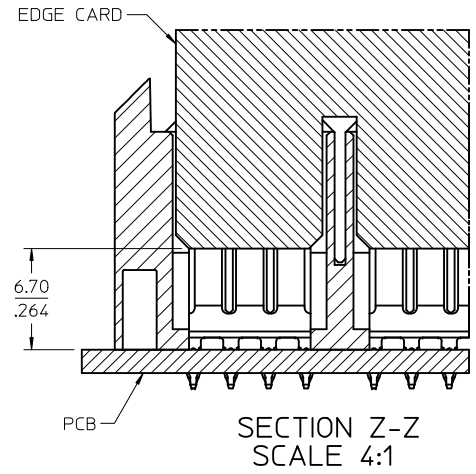
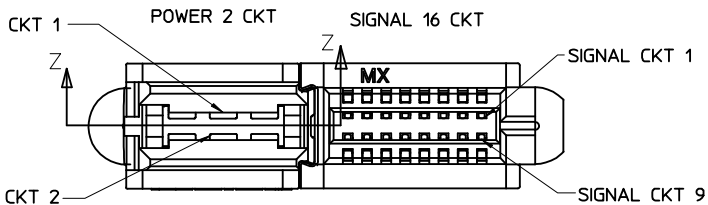
8.33  
.328



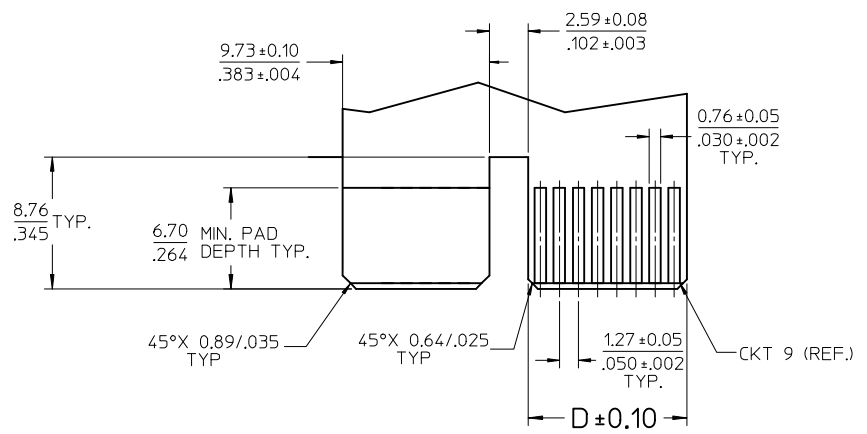
MATERIAL # 46114-2161 SHOWN

NO OF SIGNALS	MATERIAL NUMBER	COMPLIANT PIN PLATING	DIM A	DIM B	DIM C
12	46114-2121	TIN	23.34/.919	23.88/.940	2.69/.106
	46114-3121	TIN-LEAD			
16	46114-2161	TIN	25.88/1.019	26.42/1.040	
	46114-3161	TIN-LEAD			
20	46114-2201	TIN	28.42/1.119	28.96/1.140	
	46114-3201	TIN-LEAD			
24	46114-2241	TIN	30.96/1.219	31.50/1.240	
28	46114-2281	TIN	33.50/1.319	34.04/1.340	
	46114-3281	TIN-LEAD			
32	46114-2321	TIN	36.04/1.419	36.58/1.440	
	46114-3321	TIN-LEAD			
36	46114-2361	TIN	38.58/1.519	39.12/1.540	
	46114-3361	TIN-LEAD			
40	46114-2401	TIN	41.12/1.619	41.66/1.640	
	46114-3401	TIN-LEAD			

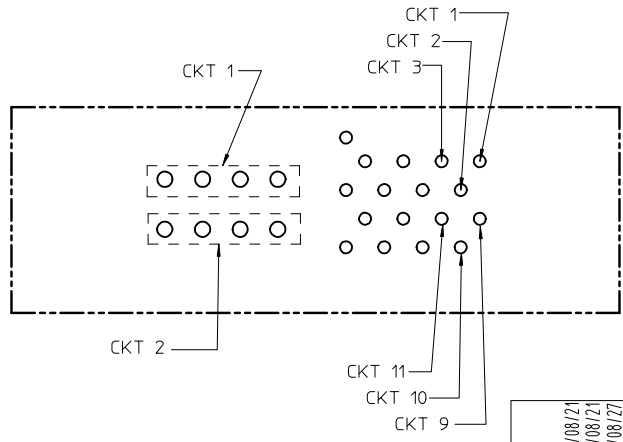
SEE SHT 1 EC NO: UCP2013-0722 DRWN:JUILLES 2012/08/21 CHKD:MKARADIMAS 2012/08/21 APPR:APATEL 2012/08/27	QUALITY SYMBOLS	GENERAL TOLERANCES (UNLESS SPECIFIED)	DIMENSION STYLE MM/IN	SCALE 2:1	DESIGN UNITS METRIC	THIRD ANGLE PROJECTION
	DESCRIPTION	mm	INCH	DRAWN BY MKARADIMAS	DATE 07/23/07	TITLE LPH VERTICAL RECEPTACLE ASSEMBLY 2 CIRCUIT PWR CONNECTOR, PRESS FIT MOLEX INCORPORATED
		4 PLACES ± ---	± ---	CHECKED BY APATEL	DATE 07/25/07	
		3 PLACES ± ---	± .010	APPROVED BY JCOMERC I	DATE 2009/12/03	
2 PLACES ± 0.25	± ---	ANGULAR ± 1/2°		MATERIAL NO.	DOCUMENT NO.	SHEET NO.
1 PLACE ± ---	± ---	DRAFT WHERE APPLICABLE MUST REMAIN WITHIN DIMENSIONS		SEE CHART	SD-46114-200	2 3
REV		SIZE C THIS DRAWING CONTAINS INFORMATION THAT IS PROPRIETARY TO MOLEX INCORPORATED AND SHOULD NOT BE USED WITHOUT WRITTEN PERMISSION				



NO OF SIGNAL	DIM. D
12	8.00/.315
16	10.54/.415
20	13.08/.515
24	15.62/.615
28	18.16/.715
32	20.70/.815
36	23.24/.915
40	25.78/1.015



RECOMMENDED EDGE CARD LAYOUT  
 EDGE CARD THICKNESS: 1.57/.062  
 PLATING: GOLD 30 μ INCHES MIN.  
 OVER 150 μ INCHES NICKEL.



PCB LAYOUT: COMPONENT SIDE  
 SEE SHT 1 FOR DIMENSIONS.

SEE SHT 1 IEC NO: UCP2013-0722 DRWN: JUILLES 2012/08/21 CHKD: MKARADIMAS 2012/08/21 APPR: APATEL 2012/08/27	DESCRIPTION	GENERAL TOLERANCES (UNLESS SPECIFIED)		DIMENSION STYLE		SCALE	DESIGN UNITS	THIRD ANGLE PROJECTION		
				MM/IN		4:1	METRIC			
		4 PLACES	± ---	INCH	± ---	DRAWN BY	DATE	TITLE		
		3 PLACES	± ---	± .010		MKARADIMAS	07/23/07	LPH VERTICAL RECEPTACLE ASSEMBLY 2 CIRCUIT PWR CONNECTOR, PRESS FIT		
2 PLACES	± 0.25	± ---		CHECKED BY	DATE	MOLEX INCORPORATED				
1 PLACE	± ---	± ---		APATEL	07/25/07	SD-46114-200				
ANGULAR ± 1/2°				APPROVED BY	DATE	DOCUMENT NO.		SHEET NO.		
				JCOMERC I	2009/12/03			3 OF 3		
DRAFT WHERE APPLICABLE MUST REMAIN WITHIN DIMENSIONS		SEE CHART		MATERIAL NO.		SD-46114-200				
		SIZE C		THIS DRAWING CONTAINS INFORMATION THAT IS PROPRIETARY TO MOLEX INCORPORATED AND SHOULD NOT BE USED WITHOUT WRITTEN PERMISSION						