

MATERIAL # 46114-4160 SHOWN

NO OF SIGNALS	MATERIAL NUMBER	COMPLIANT PIN PLATING	DIM A	DIM B	DIM C
12	46114-4120	TIN	41.01/1.615	41.51/1.634	5.45/.215
	46114-5120	TIN-LEAD			
16	46114-4160	TIN	43.55/1.715	44.05/1.734	
	46114-5160	TIN-LEAD			
20	46114-4200	TIN	46.09/1.815	46.59/1.834	
	46114-5200	TIN-LEAD			
24	46114-4240	TIN	48.63/1.915	49.13/1.934	
28	46114-4280	TIN	51.17/2.015	51.67/2.004	
	46114-5280	TIN-LEAD			
32	46114-4320	TIN	53.71/2.115	54.21/2.134	
	46114-5320	TIN-LEAD			
36	46114-4360	TIN	56.25/2.215	56.75/2.234	
	46114-5360	TIN-LEAD			
40	46114-4400	TIN	58.79/2.315	59.29/2.334	
	46114-5400	TIN-LEAD			

NOTES:

1. MATERIAL: HOUSING: LCP, 94-V0, COLOR: BLACK.  
POWER CONTACTS: COPPER ALLOY.  
SIGNAL CONTACTS: MODIFIED TIN BRASS.

2. FINISH: SELECT GOLD - 0.75 μM/30 μ INCHES

SELECTED TIN - 2.50 μM/100 μ INCHES  
OR SELECTED TIN-LEAD - 1.88 μM/75 μ INCHES  
BOTH OVER NICKEL - 1.25 μM/50 μ INCHES

3. POWER TERMINALS ARE LUBRICATED IN CONTACT AREA.

4. PARTS ARE ROHS COMPLIANT.

5. MATES TO MOLEX P/N 45985-SERIES OR CARD EDGE 1.571.062.

6. PRODUCT SPECIFICATION PS-46114-001.

7. PACKAGING: PER PK-46114-003.

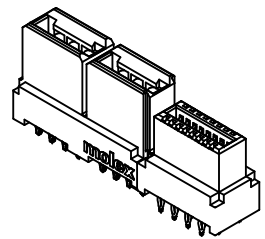
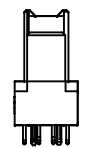
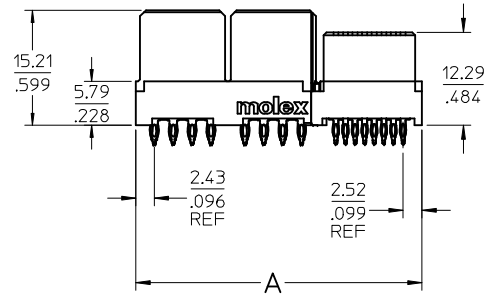
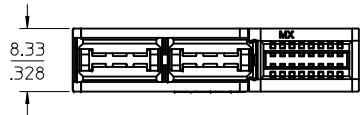
PCB COMPONENT SIDE

OBSOLETE TIN-LEAD P/N	QUALITY SYMBOLS	GENERAL TOLERANCES (UNLESS SPECIFIED)		DIMENSION STYLE		SCALE	DESIGN UNITS	THIRD ANGLE PROJECTION	
		mm	INCH	MM/IN	DATE	2:1	METRIC	TITLE	
D	DESCRIPTION	4 PLACES ± ---	± ---	DRAWN BY	07/18/07	TITLE	LPH VERTICAL RECEPTACLE ASSEMBLY 4 CIRCUIT PWR CONNECTOR, PRESS FIT	MOLEX INCORPORATED	
		3 PLACES ± ---	± .010	CHECKED BY	DATE				
		2 PLACES ± 0.25	± ---	APATEL	07/20/07				
		1 PLACE ± ---	± ---	APPROVED BY	DATE				
		ANGULAR ± 1/2°		JCOMERC I	2009/12/03				
DRAFT WHERE APPLICABLE MUST REMAIN WITHIN DIMENSIONS		SEE CHART		MATERIAL NO.		DOCUMENT NO.	SD-46114-400		
				SIZE		THIS DRAWING CONTAINS INFORMATION THAT IS PROPRIETARY TO MOLEX INCORPORATED AND SHOULD NOT BE USED WITHOUT WRITTEN PERMISSION		SHEET NO. 1 OF 3	

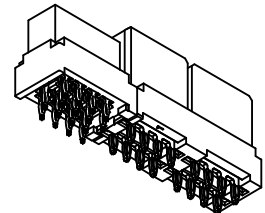
13 12 11 10 9 8 7 6 5 4 3 2 1

J I H G F E D C B A

NO OF SIGNALS	MATERIAL NUMBER	COMPLIANT PIN PLATING	DIM A	DIM B	DIM C
12	46114-4121	TIN	35.34/1.391	35.84/1.411	2.69/106
	46114-5121	TIN-LEAD			
16	46114-4161	TIN	37.88/1.491	38.38/1.511	
	46114-5161	TIN-LEAD			
20	46114-4201	TIN	40.42/1.591	40.92/1.611	
	46114-5201	TIN-LEAD			
24	46114-4241	TIN	42.96/1.691	43.46/1.711	
	46114-5241	TIN-LEAD			
28	46114-4281	TIN	45.50/1.791	46.00/1.811	
	46114-5281	TIN-LEAD			
32	46114-4321	TIN	48.04/1.891	48.54/1.911	
	46114-5321	TIN-LEAD			
36	46114-4361	TIN	50.58/1.991	51.08/2.011	
	46114-5361	TIN-LEAD			
40	46114-4401	TIN	53.12/2.091	53.62/2.111	
	46114-5401	TIN-LEAD			



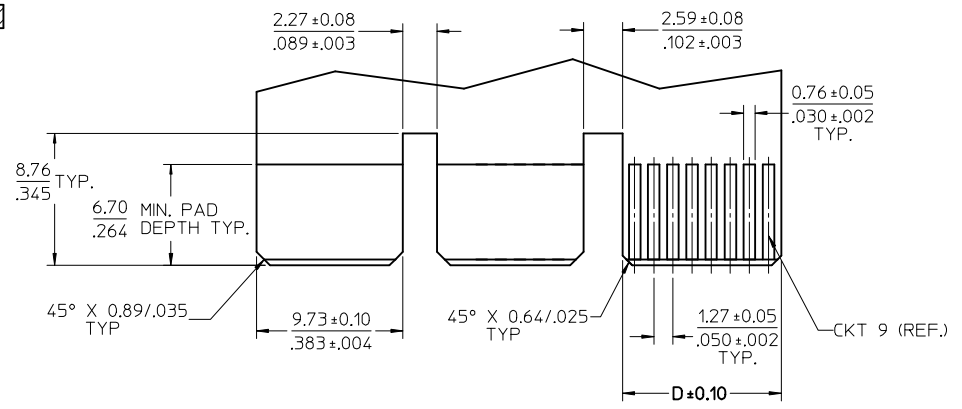
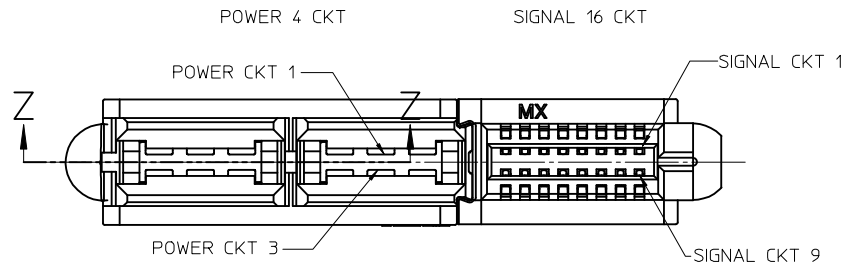
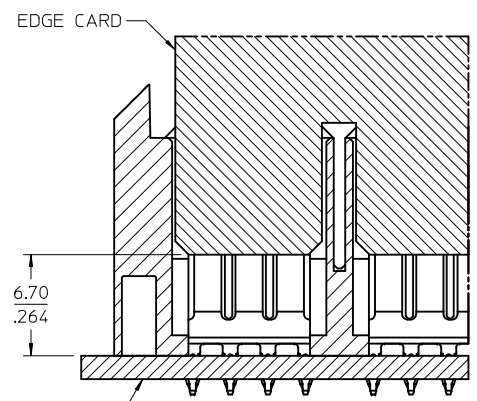
MATERIAL # 46114-4161 SHOWN



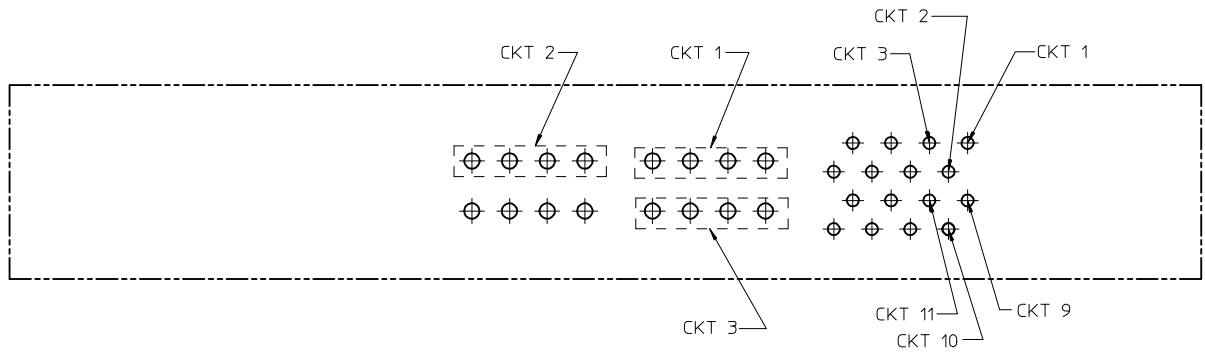
SEE SHT 1 EC NO: UCP2013-0722 DRWN: JUILLES 2012/08/21 CHKD: MKARADIMAS 2012/08/21 APPR: APATEL 2012/08/27	QUALITY SYMBOLS	GENERAL TOLERANCES (UNLESS SPECIFIED)		DIMENSION STYLE	SCALE	DESIGN UNITS	THIRD ANGLE PROJECTION	
	DESCRIPTION		mm	INCH	MM/IN	2:1	METRIC	
		4 PLACES	± ---	± ---				
		3 PLACES	± ---	± .010				
		2 PLACES	± 0.25	± ---				
1 PLACE	± ---	± ---						
REV		ANGULAR ±1/2°						
		DRAFT WHERE APPLICABLE MUST REMAIN WITHIN DIMENSIONS		DRAWN BY DATE MKARADIMAS 07/18/07		TITLE LPH VERTICAL RECEPTACLE ASSEMBLY 4 CIRCUIT PWR CONNECTOR, PRESS FIT		
				CHECKED BY DATE APATEL 07/20/07		APPROVED BY DATE JCOMERC I 2009/12/03		
				MATERIAL NO.		MOLEX INCORPORATED		
				SEE CHART		DOCUMENT NO. SD-46114-400		
				SIZE C		SHEET NO. 2 OF 3		
				THIS DRAWING CONTAINS INFORMATION THAT IS PROPRIETARY TO MOLEX INCORPORATED AND SHOULD NOT BE USED WITHOUT WRITTEN PERMISSION				

12 11 10 9 8 7 6 5 4 3 2 1

NO OF SIGNAL	DIM. D
12	8.00/.315
16	10.54/.415
20	13.08/.515
24	15.62/.615
28	18.16/.715
32	20.70/.815
36	23.24/.915
40	25.78/1.015



RECOMMENDED EDGE CARD LAYOUT  
EDGE CARD THICKNESS: 1.57/.062  
PLATING: GOLD 30 μ INCHES MIN.  
OVER 150 μ INCHES NICKEL.  
45° X 0.38/.015 TYP.



PCB LAYOUT: COMPONENT SIDE  
SEE SHT 1 FOR DIMENSIONS

SEE SHT 1 EC NO: UCP2013-0722 DRWN: JUILLES 2012/08/21 CHKD: MKARADIMAS 2012/08/21 APPR: APATEL 2012/08/27	QUALITY SYMBOLS	GENERAL TOLERANCES (UNLESS SPECIFIED)		DIMENSION STYLE MM/IN		SCALE 1:1	DESIGN UNITS METRIC	THIRD ANGLE PROJECTION			
		4 PLACES ± --- ± ---	3 PLACES ± --- ± .010	2 PLACES ± 0.25 ± ---	1 PLACE ± --- ± ---	DRAWN BY MKARADIMAS	DATE 07/18/07	TITLE LPH VERTICAL RECEPTACLE ASSEMBLY 4 CIRCUIT PWR CONNECTOR, PRESS FIT			
		ANGULAR ± 1/2°		DRAFT WHERE APPLICABLE MUST REMAIN WITHIN DIMENSIONS		APPROVED BY JCOMERCI		DATE 2009/12/03	MATERIAL NO. SD-46114-400		
		SEE CHART		SEE CHART		MATERIAL NO. SD-46114-400		DOCUMENT NO. SD-46114-400		SHEET NO. 3 OF 3	