

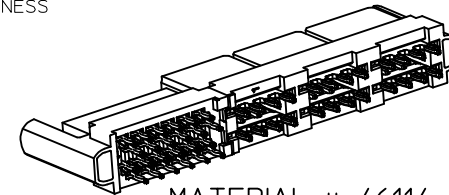
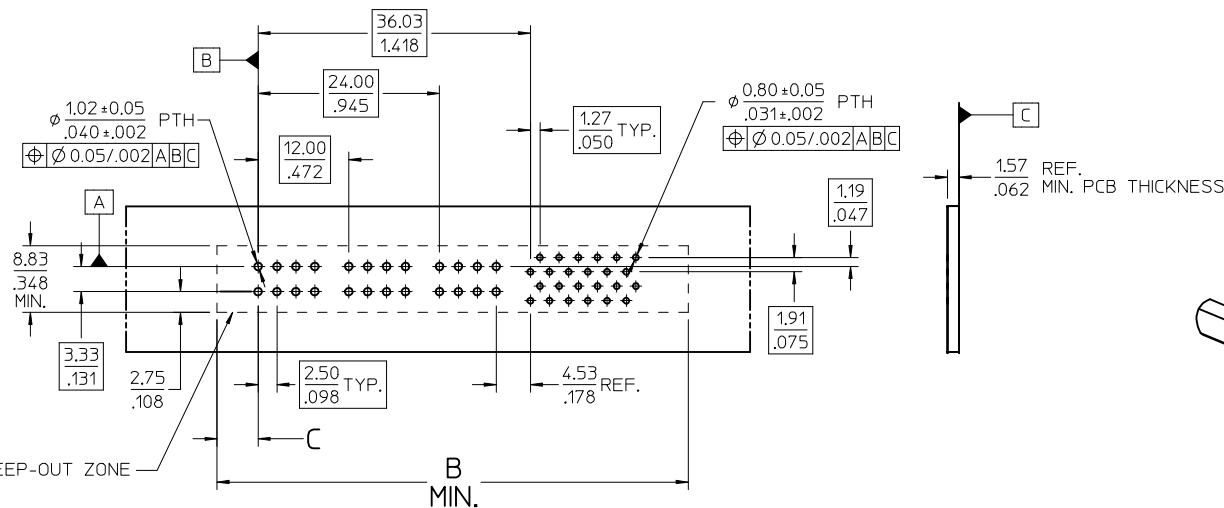
NO OF SIGNALS	MATERIAL NUMBER	COMPLIANT PIN PLATING	DIM A	DIM B	DIM C
12	46114-6120	TIN	53.01/2.087	53.51/2.107	5.45/2.15
	46114-7012	TIN-LEAD			
16	46114-6160	TIN	55.55/2.187	56.05/2.207	
	46114-7160	TIN-LEAD			
20	46114-6200	TIN	58.09/2.287	58.59/2.307	
	46114-7200	TIN-LEAD			
24	46114-6240	TIN	60.63/2.287	61.13/2.407	
	46114-7240	TIN-LEAD			
28	46114-6280	TIN	63.17/2.387	63.67/2.507	
	46114-7280	TIN-LEAD			
32	46114-6320	TIN	65.71/2.487	66.21/2.607	
	46114-7320	TIN-LEAD			
36	46114-6360	TIN	68.25/2.587	68.75/2.707	
	46114-7360	TIN-LEAD			
40	46114-6400	TIN	70.79/2.787	71.29/2.807	
	46114-7400	TIN-LEAD			

NOTES:

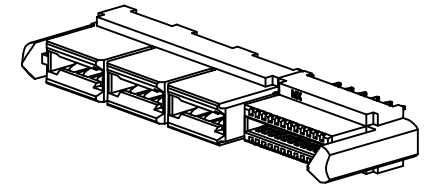
1. MATERIAL: HOUSING: LCP, 94-VO. COLOR: BLACK.
POWER CONTACTS: COPPER ALLOY.
SIGNAL CONTACTS: MODIFIED TIN BRASS.
2. FINISH: SELECT GOLD - 0.75 μM/30 μ INCHES

SELECTED TIN - 2.50 μM/100 μ INCHES
OR SELECTED TIN-LEAD - 1.91 μM/75 μ INCHES
BOTH OVER NICKEL - 1.25 μM/50 μ INCHES

3. POWER TERMINALS ARE LUBRICATED IN CONTACT AREA.
4. PARTS ARE RoHS COMPLIANT.
5. MATES TO MOLEX P/N 45985-SERIES OR EDGE CARD 1.571/062.
6. PRODUCT SPECIFICATION PS-46114-001.
7. PACKAGING: PER PK-46114-003.



MATERIAL # 46114-6240 SHOWN

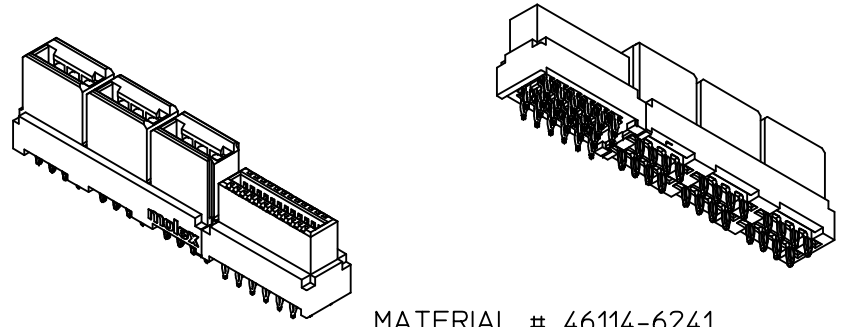
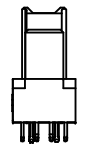
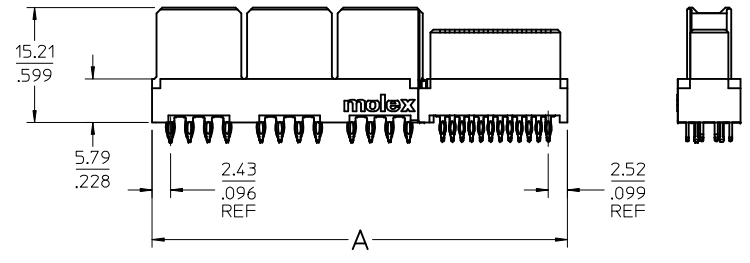
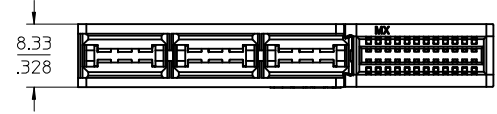


PCB COMPONENT SIDE

TOLERANCE CHANGE EC NO: UCP2012-2701 DRW:MKARADIMAS 2012/06/22 CHKD: APPR:APATEL 2012/07/30	DESCRIPTION GENERAL TOLERANCES (UNLESS SPECIFIED)	DIMENSION STYLE MM/IN	SCALE 2:1	DESIGN UNITS METRIC	THIRD ANGLE PROJECTION
		DRAWN BY MKARADIMAS	DATE 20051128	TITLE LPH VERTICAL RECEPTACLE ASSEMBLY 6 CIRCUIT PWR CONNECTOR, PRESS FIT	
		CHECKED BY APATEL	DATE 10/13/06	MOLEX INCORPORATED	
		APPROVED BY JCOMERC I	DATE 2009/12/03	MATERIAL NO. SEE CHART	DOCUMENT NO. SD-46114-600
REV C3	DRAFT WHERE APPLICABLE MUST REMAIN WITHIN DIMENSIONS	SIZE C	THIS DRAWING CONTAINS INFORMATION THAT IS PROPRIETARY TO MOLEX INCORPORATED AND SHOULD NOT BE USED WITHOUT WRITTEN PERMISSION		

13 12 11 10 9 8 7 6 5 4 3 2 1

J I H G F E D C B A



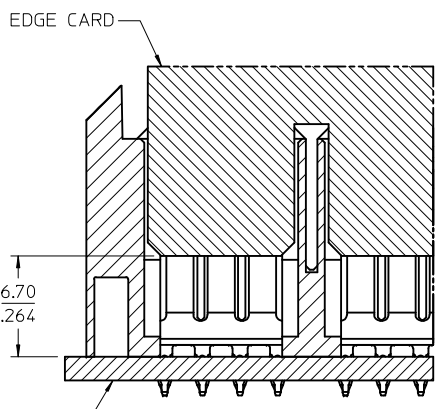
MATERIAL # 46114-6241

NO OF SIGNALS	MATERIAL NUMBER	COMPLIANT PIN PLATING	DIM A	DIM B	DIM C
12	46114-6121	TIN	47.34/1.864	47.84/1.883	2.69/106
	46114-7121	TIN-LEAD			
16	46114-6161	TIN	49.88/1.964	50.38/1.983	
	46114-7161	TIN-LEAD			
20	46114-6201	TIN	52.42/2.064	52.92/2.083	
	46114-7201	TIN-LEAD			
24	46114-6241	TIN	54.96/2.164	55.46/2.183	
	46114-7241	TIN-LEAD			
28	46114-6281	TIN	57.50/2.264	58.00/2.283	
	46114-7281	TIN-LEAD			
32	46114-6321	TIN	60.04/2.364	60.54/2.383	
	46114-7321	TIN-LEAD			
36	46114-6361	TIN	62.58/2.464	63.08/2.483	
	46114-7361	TIN-LEAD			
40	46114-6401	TIN	65.12/2.564	65.62/2.583	
	46114-7401	TIN-LEAD			

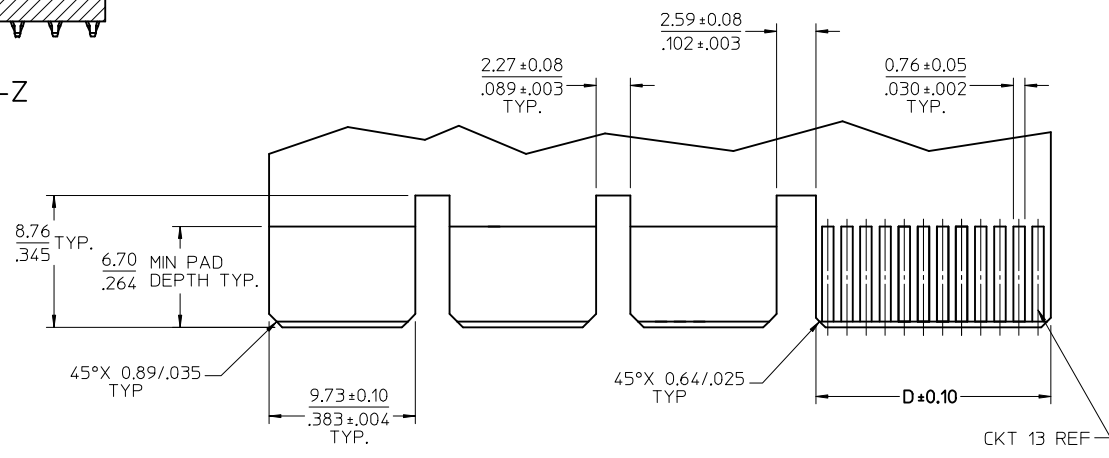
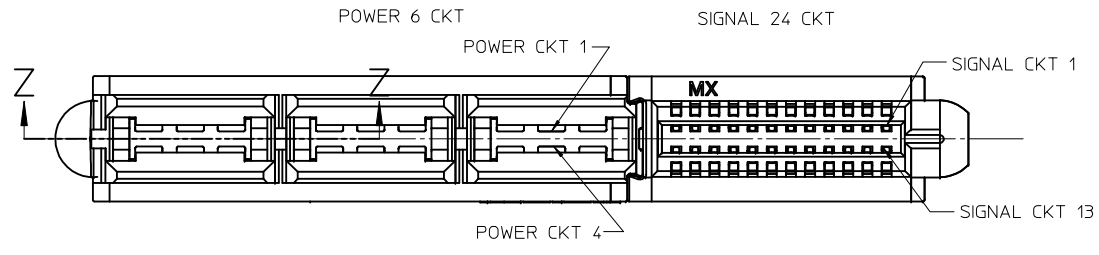
SEE SHEET 1 EC NO: UCP2012-2701 DRWN:MKARADIMAS 2012/06/22 CHKD: APPR:APATEL 2012/07/30 REV:	QUALITY SYMBOLS	GENERAL TOLERANCES (UNLESS SPECIFIED)	DIMENSION STYLE MM/IN	SCALE 2:1	DESIGN UNITS METRIC	THIRD ANGLE PROJECTION																											
		<table border="1"> <tr> <th></th> <th>mm</th> <th>INCH</th> </tr> <tr> <td>4 PLACES</td> <td>± ---</td> <td>± ---</td> </tr> <tr> <td>3 PLACES</td> <td>± ---</td> <td>± .010</td> </tr> <tr> <td>2 PLACES</td> <td>± 0.25</td> <td>± ---</td> </tr> <tr> <td>1 PLACE</td> <td>± ---</td> <td>± ---</td> </tr> </table>		mm	INCH	4 PLACES	± ---	± ---	3 PLACES	± ---	± .010	2 PLACES	± 0.25	± ---	1 PLACE	± ---	± ---	<table border="1"> <tr> <th>DRAWN BY</th> <th>DATE</th> </tr> <tr> <td>MKARADIMAS</td> <td>20051128</td> </tr> <tr> <th>CHECKED BY</th> <th>DATE</th> </tr> <tr> <td>APATEL</td> <td>10/13/06</td> </tr> <tr> <th>APPROVED BY</th> <th>DATE</th> </tr> <tr> <td>JCOMERC I</td> <td>2009/12/03</td> </tr> </table>	DRAWN BY	DATE	MKARADIMAS	20051128	CHECKED BY	DATE	APATEL	10/13/06	APPROVED BY	DATE	JCOMERC I	2009/12/03	TITLE LPH VERTICAL RECEPTACLE ASSEMBLY 6 CIRCUIT PWR CONNECTOR, PRESS FIT		
		mm	INCH																														
	4 PLACES	± ---	± ---																														
	3 PLACES	± ---	± .010																														
2 PLACES	± 0.25	± ---																															
1 PLACE	± ---	± ---																															
DRAWN BY	DATE																																
MKARADIMAS	20051128																																
CHECKED BY	DATE																																
APATEL	10/13/06																																
APPROVED BY	DATE																																
JCOMERC I	2009/12/03																																
	ANGULAR ±1/2° DRAFT WHERE APPLICABLE MUST REMAIN WITHIN DIMENSIONS	MATERIAL NO. SEE CHART	MOLEX INCORPORATED SD-46114-600	SHEET NO. 2 OF 3																													
THIS DRAWING CONTAINS INFORMATION THAT IS PROPRIETARY TO MOLEX INCORPORATED AND SHOULD NOT BE USED WITHOUT WRITTEN PERMISSION																																	

12 11 10 9 8 7 6 5 4 3 2 1

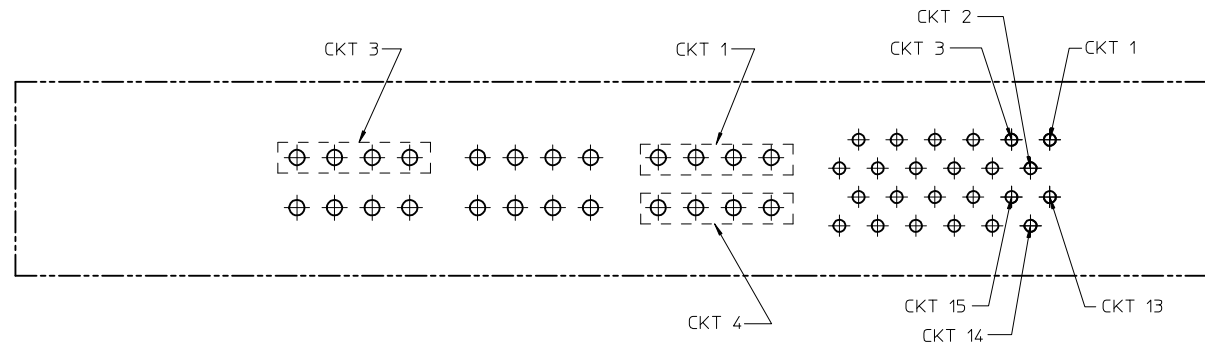
NO OF SIGNAL	DIM. D
12	8.00/.315
16	10.54/.415
20	13.08/.515
24	15.62/.615
28	18.16/.715
32	20.70/.815
36	23.24/.915
40	25.78/1.015



SECTION Z-Z



RECOMMENDED EDGE CARD LAYOUT
 EDGE CARD THICKNESS: 1.57/.062
 PLATING: GOLD 30 μ INCHES MIN.
 OVER 150 μ INCHES NICKEL.



PCB LAYOUT: COMPONENT SIDE
 SEE SHT 1 FOR DIMENSIONS

SEE SHEET 1 IEC NO: UCP2012-2701 DRWN:MKARADIMAS 2012/06/22 CHKD: APPR:APATEL 2012/07/30	GENERAL TOLERANCES (UNLESS SPECIFIED)		DIMENSION STYLE MM/IN		SCALE 4:1	DESIGN UNITS METRIC	THIRD ANGLE PROJECTION
	4 PLACES	± .010	± .010	DATE	TITLE		
	3 PLACES	± .010	± .010	2005/11/28	LPH VERTICAL RECEPTACLE ASSEMBLY 6 CIRCUIT PWR CONNECTOR, PRESS FIT		
	2 PLACES	± .025	± .025	DATE	MOLEX INCORPORATED		
	1 PLACE	± .025	± .025	10/13/06	SD-46114-600		
	ANGULAR ±1/2°		APPROVED BY	DATE	SHEET NO.		
	DRAFT WHERE APPLICABLE MUST REMAIN WITHIN DIMENSIONS		JCOMERC I	2009/12/03	3 OF 3		
	SEE CHART		MATERIAL NO.		DOCUMENT NO.		
	THIS DRAWING CONTAINS INFORMATION THAT IS PROPRIETARY TO MOLEX INCORPORATED AND SHOULD NOT BE USED WITHOUT WRITTEN PERMISSION		SIZE				