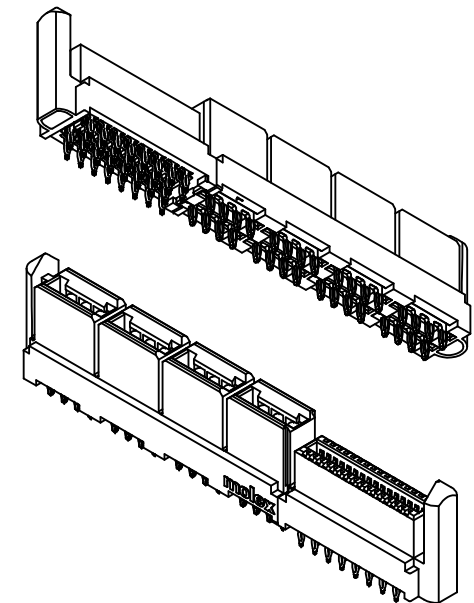


PCB COMPONENT SIDE



MATERIAL # 46114-8320  
SHOWN

NO OF SIGNALS	MATERIAL NUMBER	COMPLIANT PIN PLATING	DIM A	DIM B	DIM C
12	46114-8120	TIN	65.01/2.559	65.51/2.579	5.45/1.215
	46114-9120	TIN-LEAD			
16	46114-8160	TIN	67.55/2.659	68.05/2.679	
	46114-9160	TIN-LEAD			
20	46114-8200	TIN	70.09/2.759	70.59/2.779	
	46114-9200	TIN-LEAD			
24	46114-8240	TIN	72.63/2.859	73.13/2.879	
	46114-9240	TIN-LEAD			
28	46114-8280	TIN	75.17/2.959	75.67/2.979	
32	46114-8320	TIN	77.71/3.059	78.21/3.079	
	46114-9320	TIN-LEAD			
36	46114-8360	TIN	80.25/3.159	80.75/3.179	
	46114-9360	TIN-LEAD			
40	46114-8400	TIN	82.79/3.259	83.29/3.279	
	46114-9400	TIN-LEAD			

- NOTES:
- MATERIAL: HOUSING: LCP, 94-V0, COLOR: BLACK.  
POWER CONTACTS: COPPER ALLOY.  
SIGNAL CONTACTS: MODIFIED TIN BRASS.
  - FINISH: SELECT GOLD - 0.75 μM/30 μ INCHES

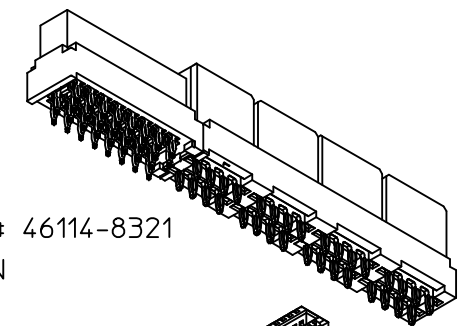
SELECTED TIN - 2.50 μM/100 μ INCHES  
OR SELECTED TIN-LEAD - 1.88 μM/75 μ INCHES  
BOTH OVER NICKEL - 1.25 μM/50 μ INCHES

- POWER TERMINALS ARE LUBRICATED IN CONTACT AREA.
- PARTS ARE RoHS COMPLIANT.
- MATES TO MOLEX P/N 45985-SERIES OR CARD EDGE 157/062.
- PRODUCT SPECIFICATION PS-46114-001.
- PACKAGING: PER PK-46114-003.

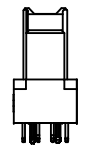
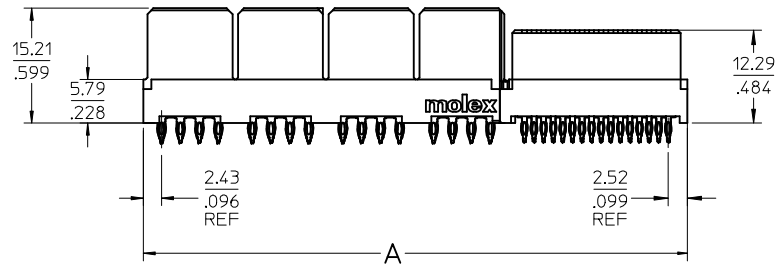
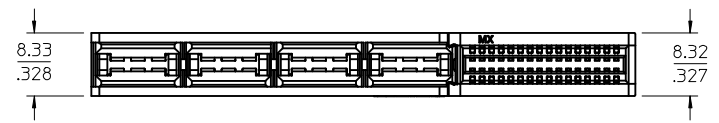
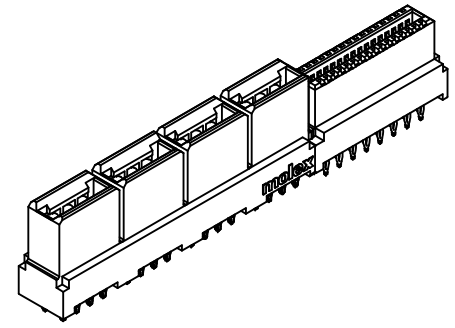
OBSOLETE TIN-LEAD P/N EC NO: UCP2013-0722 DRAWN: JUILLES 2012/08/21 CHKD: KARADIMAS APPR: APATEL 2012/08/27	QUALITY SYMBOLS
	DESCRIPTION

GENERAL TOLERANCES (UNLESS SPECIFIED)	DIMENSION STYLE MM/IN	SCALE 2:1	DESIGN UNITS METRIC	THIRD ANGLE PROJECTION
4 PLACES ± --- ± ---	mm INCH	DRAWN BY MKARADIMAS	DATE 07/18/07	TITLE LPH VERTICAL RECEPTACLE COMPLIANT PIN ASSEMBLY 8CKT PWR CONN, PRESS FIT
3 PLACES ± --- ± .010		CHECKED BY APATEL	DATE 07/20/07	MOLEX INCORPORATED
2 PLACES ± 0.25 ± ---		APPROVED BY JCOMERCI	DATE 2009/12/03	
1 PLACE ± --- ± ---		ANGULAR ± 1/2°		DOCUMENT NO. SD-46114-800
DRAFT WHERE APPLICABLE MUST REMAIN WITHIN DIMENSIONS		SIZE C	SHEET NO. 1 OF 3	

THIS DRAWING CONTAINS INFORMATION THAT IS PROPRIETARY TO MOLEX INCORPORATED AND SHOULD NOT BE USED WITHOUT WRITTEN PERMISSION	
---	--



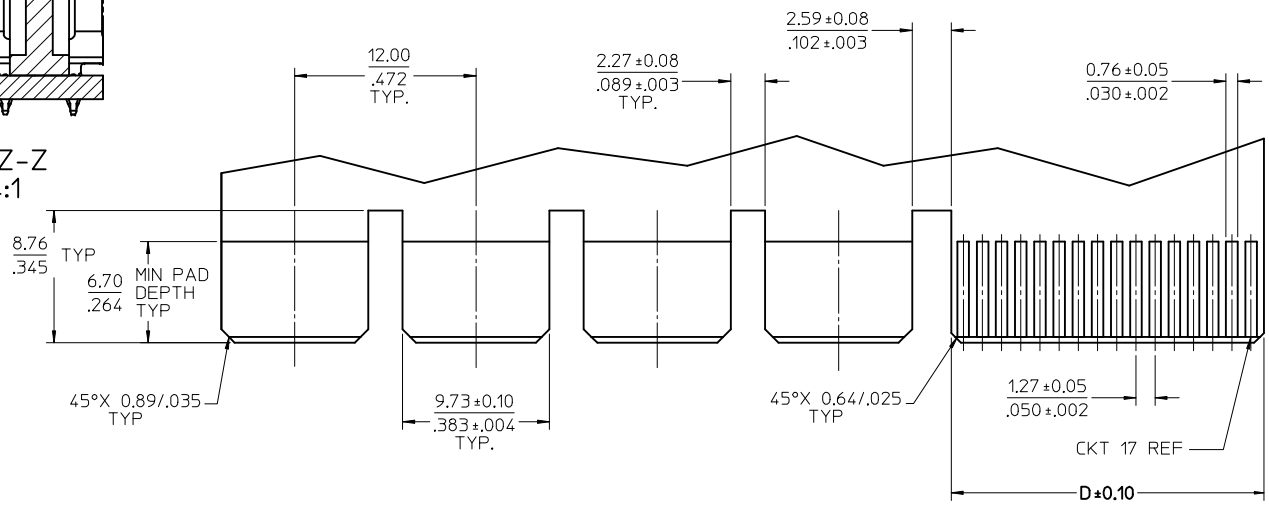
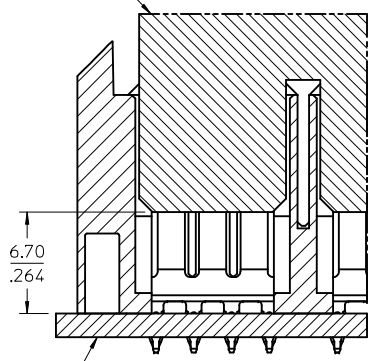
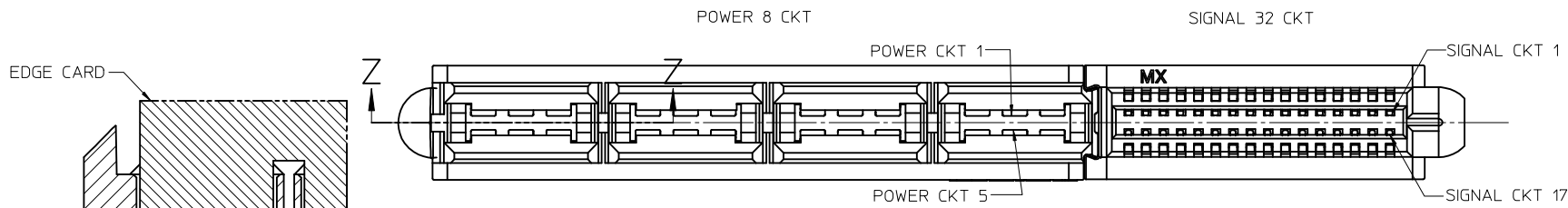
MATERIAL # 46114-8321  
SHOWN



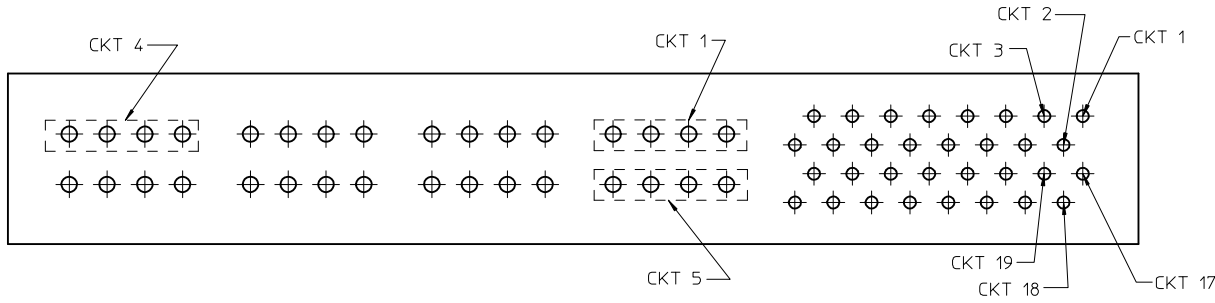
NO OF SIGNALS	MATERIAL NUMBER	COMPLIANT PIN PLATING	DIM A	DIM B	DIM C
12	46114-8121	TIN	59.34/2.336	59.84/2.356	2.69/1.106
	46114-9121	TIN-LEAD			
16	46114-8161	TIN	61.88/2.436	62.38/2.456	
	46114-9161	TIN-LEAD			
20	46114-8201	TIN	64.42/2.536	64.92/2.556	
	46114-9201	TIN-LEAD			
24	46114-8241	TIN	66.96/2.636	67.46/2.656	
	46114-9241	TIN-LEAD			
28	46114-8281	TIN	69.50/2.736	70.00/2.756	
	46114-9281	TIN-LEAD			
32	46114-8321	TIN	72.04/2.836	72.54/2.856	
	46114-9321	TIN-LEAD			
36	46114-8361	TIN	74.58/2.936	75.08/2.956	
	46114-9361	TIN-LEAD			
40	46114-8401	TIN	77.12/3.036	77.62/3.056	
	46114-9401	TIN-LEAD			

SEE SHT 1 EC NO: UCP2013-0722 DRAWN: JUILLES 2012/08/21 CHKD: MKARADIMAS APPR: APATEL 2012/08/27	QUALITY SYMBOLS	GENERAL TOLERANCES (UNLESS SPECIFIED)	DIMENSION STYLE MM/IN	SCALE 2:1	DESIGN UNITS METRIC	THIRD ANGLE PROJECTION
	DESCRIPTION	mm	INCH	DRAWN BY MKARADIMAS	DATE 07/18/07	LPH VERTICAL RECEPTACLE COMPLIANT PIN ASSEMBLY 8CKT PWR CONN, PRESS FIT
		4 PLACES ± --- ± ---	± ---	CHECKED BY APATEL	DATE 07/20/07	
		3 PLACES ± --- ± .010	± .010	APPROVED BY JCOMERC I	DATE 2009/12/03	
2 PLACES ± 0.25 ± ---	± ---	ANGULAR ± 1/2°	MATERIAL NO.	DOCUMENT NO.	MOLEX MOLEX INCORPORATED SD-46114-800	SHEET NO. 2 OF 3
1 PLACE ± --- ± ---	± ---	DRAFT WHERE APPLICABLE MUST REMAIN WITHIN DIMENSIONS	SEE CHART	THIS DRAWING CONTAINS INFORMATION THAT IS PROPRIETARY TO MOLEX INCORPORATED AND SHOULD NOT BE USED WITHOUT WRITTEN PERMISSION		

NO OF SIGNAL	DIM. D
12	8.00/.315
16	10.54/.415
20	13.08/.515
24	15.62/.615
28	18.16/.715
32	20.70/.815
36	23.24/.915
40	25.78/1.015



RECOMMENDED EDGE CARD LAYOUT  
 EDGE CARD THICKNESS: 1.57/.062  
 PLATING: GOLD 30 μ INCHES MIN.  
 OVER 150 μ INCHES NICKEL.



PCB LAYOUT: COMPONENT SIDE  
 SEE SHT 1 FOR DIMENSIONS

SEE SHT 1 EC NO: UCP2013-0722 DRAWN: JUILLES 2012/08/21 CHKD: MKARADIMAS APPR: APATEL 2012/08/27	QUALITY SYMBOLS	GENERAL TOLERANCES (UNLESS SPECIFIED)	DIMENSION STYLE MM/IN	SCALE 1:1	DESIGN UNITS METRIC	THIRD ANGLE PROJECTION
		4 PLACES ± .010	mm INCH	DRAWN BY MKARADIMAS	DATE 07/18/07	TITLE LPH VERTICAL RECEPTACLE COMPLIANT PIN ASSEMBLY 8CKT PWR CONN, PRESS FIT
		3 PLACES ± .010		CHECKED BY APATEL	DATE 07/20/07	MOLEX INCORPORATED MATERIAL NO. SD-46114-800 DOCUMENT NO.
		2 PLACES ± 0.25		APPROVED BY JCOMERC I	DATE 2009/12/03	
	1 PLACE ± .010	ANGULAR ± 1/2°		DRAFT WHERE APPLICABLE MUST REMAIN WITHIN DIMENSIONS SEE CHART THIS DRAWING CONTAINS INFORMATION THAT IS PROPRIETARY TO MOLEX INCORPORATED AND SHOULD NOT BE USED WITHOUT WRITTEN PERMISSION		