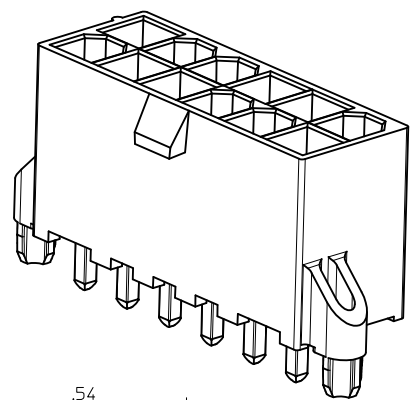
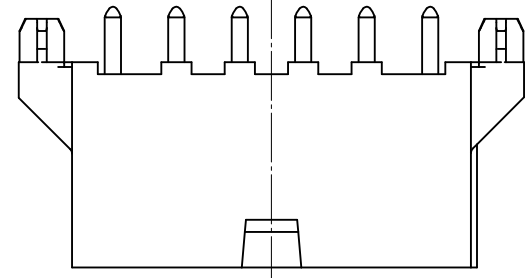
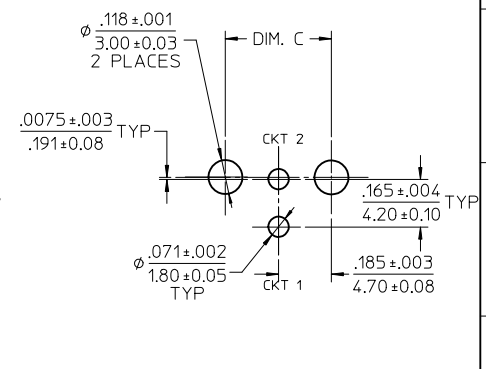
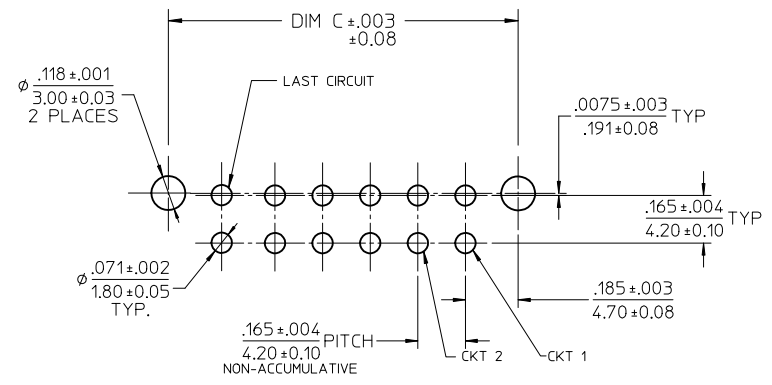
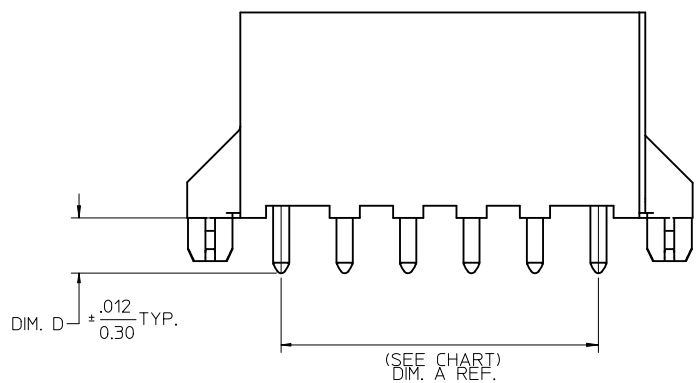
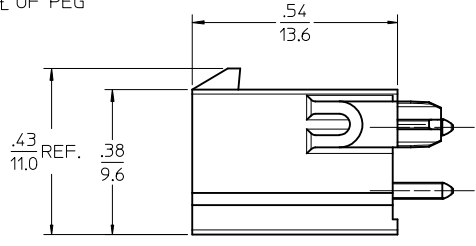
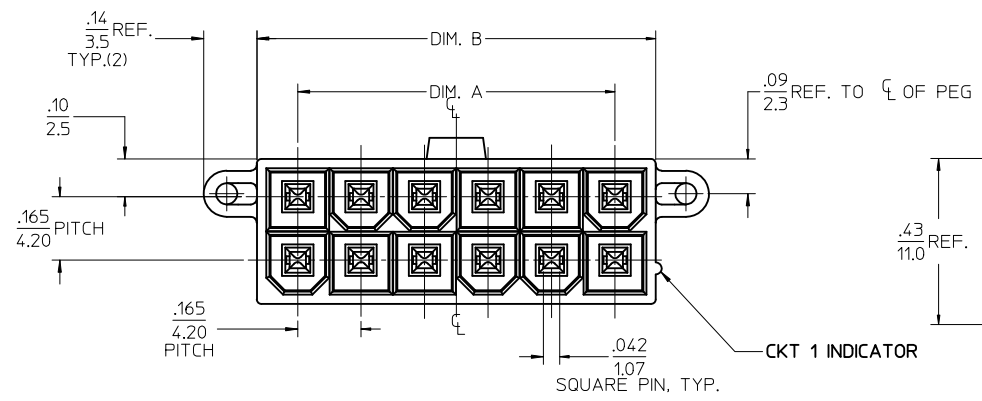


CIRCUIT SIZE	DIM. A	DIM. B	DIM. C
02	NA	0.21/5.4	0.37/9.4
04	0.165/4.20	0.38/9.6	0.535/13.60
06	0.331/8.40	0.54/13.8	0.701/17.80
08	0.496/12.60	0.71/18.0	0.866/22.00
10	0.661/16.80	0.87/22.2	1.031/26.20
12	0.827/21.00	1.04/26.4	1.197/30.40
14	0.992/25.20	1.21/30.6	1.362/34.60
16	1.160/29.40	1.37/34.8	1.528/38.80
18	1.323/33.60	1.54/39.0	1.693/43.00
20	1.488/37.80	1.70/43.2	1.858/47.20
22	1.654/42.00	1.87/47.4	2.024/51.40
24	1.819/46.20	2.03/51.6	2.189/55.60



ISOMETRIC VIEW
(12 CKT - SHOWN)



- NOTES:
- MATERIALS:
HOUSING - LIQUID CRYSTAL POLYMER (LCP), COLOR: BLACK
TERMINAL - BRASS ALLOY
 - TERMINAL PLATING:
TIN= .000100/0.00254 MIN MATTE TIN OVER
.000050/0.00127 MIN NICKEL OVERALL
GOLD= .000030/0.00076 MIN. SELECT GOLD OVER
.000100/0.00254 MIN. SELECT MATTE TIN OVER
.000050/0.00127 MIN NICKEL OVERALL
 - PRODUCT SPECIFICATION: PS-46207-001
 - PACKAGING SPECIFICATION: TRAY PACK PER PK-46207-001
TAPE AND REEL PACK PER PK-46207-002
 - PART CONFORMS TO CLASS "B" REQUIREMENTS OF COSMETIC SPECIFICATION PS-45499-002.

RECOMMENDED PCB HOLE LAYOUT COMPONENT SIDE
(SCALE 3:1)

ADD TOL TO DIM C EC NO: UCP2011-3188 DRWN: MSTR0H CHKD: JBELL APPR: FSM/TH D5	REVISION DESCRIPTION	QUALITY SYMBOLS	GENERAL TOLERANCES (UNLESS SPECIFIED)	DIMENSION STYLE	SCALE	DESIGN UNITS	THIRD ANGLE PROJECTION
		▽=0	mm INCH	IN/MM	4:1	METRIC	
		▽=0	4 PLACES ± --- ± ---	DRAWN BY DATE	TITLE		
		▽=0	3 PLACES ± --- ±.005	CHECKED BY DATE			
			2 PLACES ±0.13 ±.010	BWIRKUS 08/07/2006			MINI-FIT RTC HI-TEMP VERTICAL HEADER IN LCP, W/PCB PEGS
			1 PLACE ±0.25 ± ---	APPROVED BY DATE			
			ANGULAR ±1/2°	BWIRKUS 08/07/2006			MOLEX INCORPORATED
			DRAFT WHERE APPLICABLE MUST REMAIN WITHIN DIMENSIONS	MATERIAL NO. SEE TABLE	DOCUMENT NO. SD-46207-001		SHEET NO. 1 OF 2
				SIZE C	THIS DRAWING CONTAINS INFORMATION THAT IS PROPRIETARY TO MOLEX INCORPORATED AND SHOULD NOT BE USED WITHOUT WRITTEN PERMISSION		

GOLD PLATING					
CIRCUIT SIZE	TAPE & REEL MATERIAL NUMBER	TRAY PACKED MATERIAL NUMBER	DIM. D	PCB THICKNESS	
02	462077002	* 462075002*	0.144/3.66	0.062	
04	462077004	* 462075004	0.144/3.66	0.062	
06	462077006	* 462075006	0.144/3.66	0.062	
08	462077008	* 462075008	0.144/3.66	0.062	
10	462077010	* 462075010	0.144/3.66	0.062	
12	462077012	* 462075012	0.144/3.66	0.062	
14	462077014	* 462075014*	0.144/3.66	0.062	
16	462077016	* 462075016*	0.144/3.66	0.062	
18	462077018	* 462075018*	0.144/3.66	0.062	
20	462077020	* 462075020*	0.144/3.66	0.062	
22	462077022	* 462075022*	0.144/3.66	0.062	
24	462077024	* 462075024	0.144/3.66	0.062	
02					
04					
06					
08					
10					
12					
14					
16					
18					
20					
22					
24					

TIN PLATING					
CIRCUIT SIZE	TAPE & REEL MATERIAL NUMBER	TRAY PACKED MATERIAL NUMBER	DIM. D	PCB THICKNESS	
02	462073002	* 462070002*	0.144/3.66	0.062	
04	462073004	* 462070004	0.144/3.66	0.062	
06	462073006	* 462070006	0.144/3.66	0.062	
08	462073008	* 462070008	0.144/3.66	0.062	
10	462073010	* 462070010	0.144/3.66	0.062	
12	462073012	* 462070012	0.144/3.66	0.062	
14	462073014	* 462070014*	0.144/3.66	0.062	
16	462073016	* 462070016*	0.144/3.66	0.062	
18	462073018	* 462070018*	0.144/3.66	0.062	
20	462073020	* 462070020*	0.144/3.66	0.062	
22	462073022	* 462070022*	0.144/3.66	0.062	
24	462073024	* 462070024	0.144/3.66	0.062	
02		462070102*	0.176/4.46	0.093	
04		462070104	0.176/4.46	0.093	
06		462070106	0.176/4.46	0.093	
08		462070108	0.176/4.46	0.093	
10		462070110	0.176/4.46	0.093	
12		462070112	0.176/4.46	0.093	
14		462070114*	0.176/4.46	0.093	
16		462070116*	0.176/4.46	0.093	
18		462070118*	0.176/4.46	0.093	
20		462070120*	0.176/4.46	0.093	
22		462070122*	0.176/4.46	0.093	
24		462070124	0.176/4.46	0.093	
02		462070202*	0.207/5.26	0.125	
04		462070204	0.207/5.26	0.125	
06		462070206	0.207/5.26	0.125	
08		462070208	0.207/5.26	0.125	
10		462070210	0.207/5.26	0.125	
12		462070212	0.207/5.26	0.125	
14		462070214*	0.207/5.26	0.125	
16		462070216*	0.207/5.26	0.125	
18		462070218*	0.207/5.26	0.125	
20		462070220*	0.207/5.26	0.125	
22		462070222*	0.207/5.26	0.125	
24		462070224	0.207/5.26	0.125	

* DESIGNATES PART NOT RELEASED
CONTACT FACTORY FOR AVAILABILITY.

* DESIGNATES PART NOT RELEASED
CONTACT FACTORY FOR AVAILABILITY.

SEE SHEET 1 EC NO: UCP2011-3188 DR:WINSTROH CHKD:JBELL APPR:FSMITH	2011/04/14 2011/04/18 2011/05/18	DESCRIPTION REV D5	QUALITY SYMBOLS	GENERAL TOLERANCES (UNLESS SPECIFIED)	DIMENSION STYLE	SCALE	DESIGN UNITS	THIRD ANGLE PROJECTION
			$\nabla = 0$ $\nabla = 0$ $\nabla = 0$	mm INCH 4 PLACES \pm --- \pm --- 3 PLACES \pm --- \pm .005 2 PLACES \pm 0.13 \pm .010 1 PLACE \pm 0.25 \pm --- ANGULAR \pm 1/2°	IN/MM DRAWN BY DATE DROSCA 08/07/2006 CHECKED BY DATE BWIRKUS 08/07/2006 APPROVED BY DATE BWIRKUS 08/07/2006	1:1 METRIC		
			DRAFT WHERE APPLICABLE MUST REMAIN WITHIN DIMENSIONS	SEE CHART MATERIAL NO. SIZE C	TITLE MOLEX INCORPORATED DOCUMENT NO. SD-46207-001	SHEET NO. 2 OF 2		
			THIS DRAWING CONTAINS INFORMATION THAT IS PROPRIETARY TO MOLEX INCORPORATED AND SHOULD NOT BE USED WITHOUT WRITTEN PERMISSION					