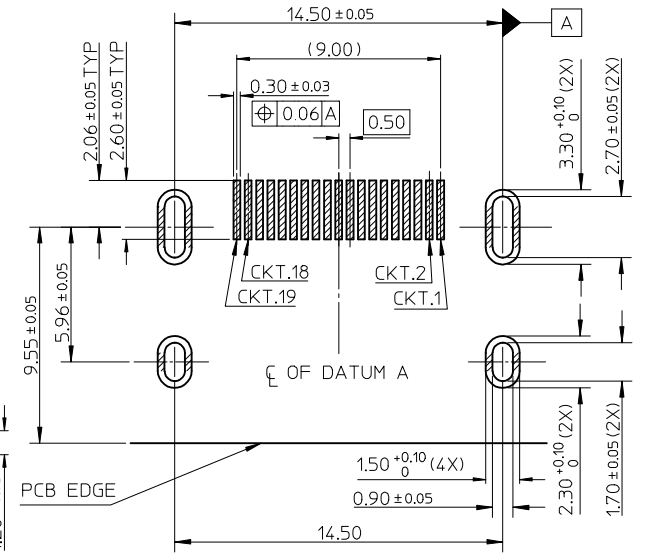
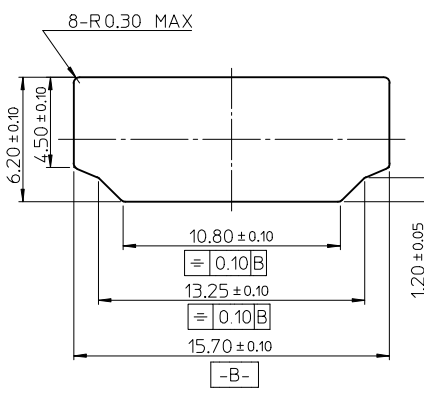
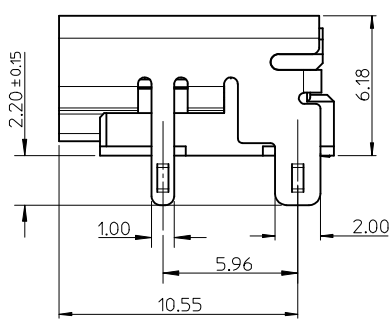
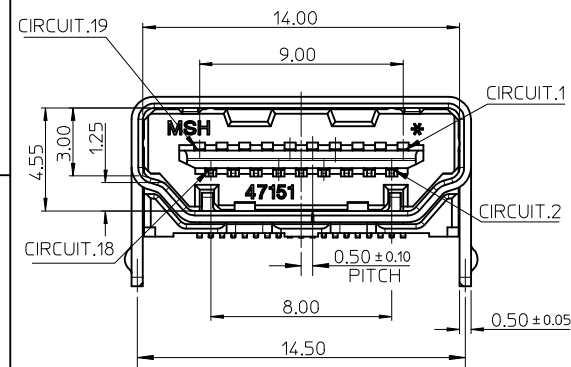
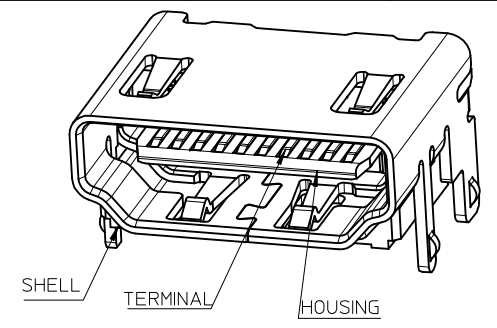
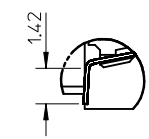


- NOTES:
- MATERIAL:
HOUSING: HIGH TEMPERATURE THERMAL PLASTIC.
SHELL: COPPER ALLOY.
TERMINAL: COPPER ALLOY.
 - PLATING:
TERMINAL: CONTACT AREA: GOLD PLATING, SEE TABLE.
SOLDER AREA: 1 MICROMETER MIN. TIN-BISMUTH ALLOY PLATED.
UNDER PLATE: 1.27 MICROMETER MIN. NICKEL.
SHELL: 1.27 MICROMETER MIN. SOLDERABLE NICKEL PLATE OVERALL.
 - COPLANARITY IS 0.1MM MAX.
 - PRODUCT SPECIFICATION REFER TO PS-47152-001.
 - PACKAGE SPECIFICATION FOR WITHOUT FLANGE REFER TO PK-47151-001.
 - PRODUCT COMPLIANT TO ROHS DIRECTIVE 2002/95/EC AND ELV 2000/53/EC.

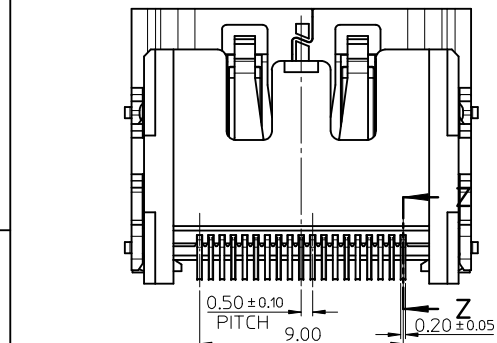


RECOMMENDED PCB LAYOUT
CONNECTOR SIDE

RECOMMENDED PANEL CUT OUT DIMENSION



SECTION Z-Z



47151-8061	GOLD FLASH			
47151-8041	0.25 MICROMETER MIN.	WITHOUT	WITHOUT	WITH
47151-8001	0.76 MICROMETER MIN.			
PART NO.	CONTACT AREA PLATING	FLANGE	BACK COVER	DIMPLE

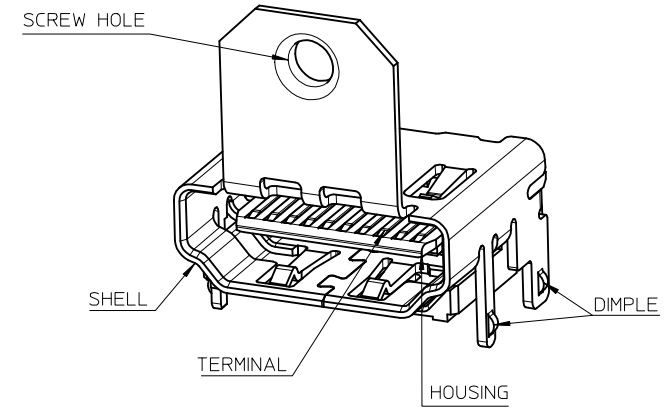
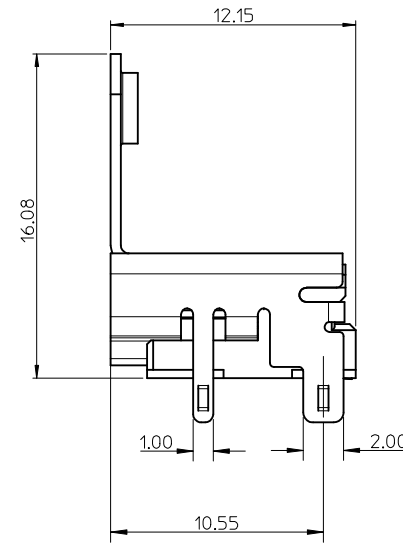
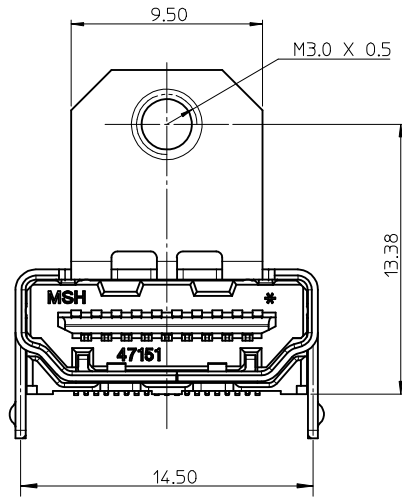
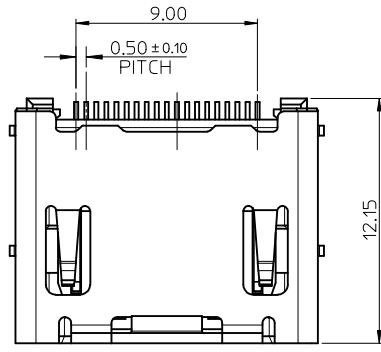
REVISED
EC NO: SH2009-0502
DRW:NCWTANG 2009/01/23
CHKD:XJ SONG
APPR:HWANG 2009/02/10

QUALITY SYMBOLS	▽=0
	∇=0

GENERAL TOLERANCES (UNLESS SPECIFIED)	mm	INCH
	4 PLACES ± ---	± ---
	3 PLACES ± ---	± ---
	2 PLACES ± 0.25	± ---
	1 PLACE ± ---	± ---
ANGULAR ± 3 °		
DRAFT WHERE APPLICABLE MUST REMAIN WITHIN DIMENSIONS		

DIMENSION STYLE MM ONLY	
DRAWN BY JZENG	DATE 2006/02/21
CHECKED BY DIXON	DATE 2006/02/21
APPROVED BY GRATE MA	DATE 2006/02/21
MATERIAL NO.	

SCALE 1:1	DESIGN UNITS METRIC	THIRD ANGLE PROJECTION
TITLE 1.0 HDMI RIGHT ANGLE HEADER WITH DIMPLE TYPE LEAD FREE		
MOLEX MOLEX INCORPORATED		
DOCUMENT NO. SD-47151-101	SHEET NO. 1 OF 4	



NOTES:
 1. THE UNSPECIFIED DIMENSIONS REFER TO SHEET 1.
 2. PACKAGE SPECIFICATION FOR WITH FLANGE REFER TO PK-47151-002.

47151-8071	GOLD FLASH			
47151-8051	0.25 MICROMETER MIN.	WITH	WITHOUT	WITH
47151-8011	0.76 MICROMETER MIN.			
PART NO.	CONTACT AREA PLATING	FLANGE	BACK COVER	DIMPLE

REVISED
 EC NO: SH2009-0502
 TDRWN: CWTANG 2009/01/23
 CHKD: XJSONG
 APPR: HWANG 2009/02/10

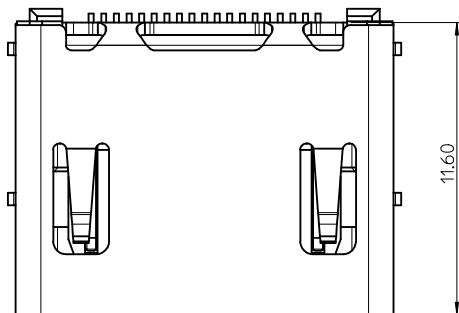
QUALITY SYMBOLS

 DESCRIPTION

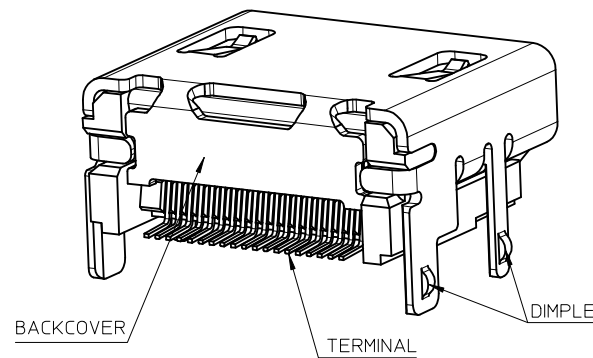
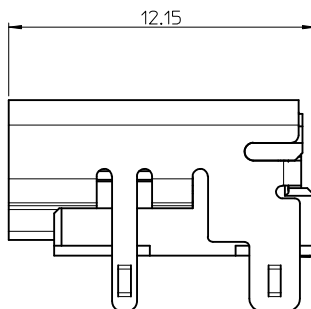
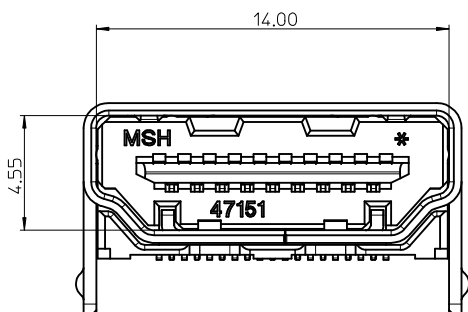
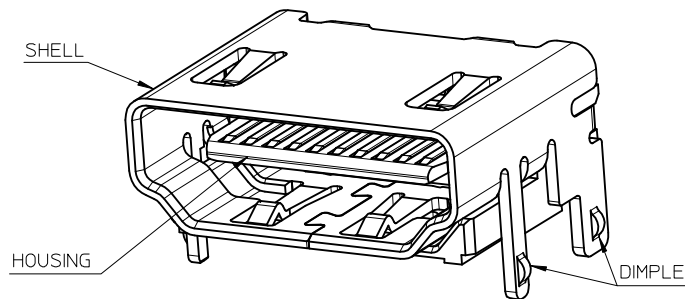
GENERAL TOLERANCES (UNLESS SPECIFIED)	
	mm INCH
4 PLACES	± --- ± ---
3 PLACES	± --- ± ---
2 PLACES	± 0.25 ± ---
1 PLACE	± --- ± ---
ANGULAR ± 3 °	
DRAFT WHERE APPLICABLE MUST REMAIN WITHIN DIMENSIONS	

DIMENSION STYLE	
MM ONLY	
DRAWN BY	DATE
JZENG	2006/02/21
CHECKED BY	DATE
DIXON	2006/02/21
APPROVED BY	DATE
GRATE MA	2006/02/21
MATERIAL NO.	
SEE TABLE	
SIZE	A3

SCALE	1:1	DESIGN UNITS	METRIC	THIRD ANGLE PROJECTION
TITLE				
1.0 HDMI RIGHT ANGLE HEADER WITH DIMPLE TYPE LEAD FREE				
MOLEX INCORPORATED				
DOCUMENT NO.				SHEET NO.
SD-47151-101				2 OF 4
THIS DRAWING CONTAINS INFORMATION THAT IS PROPRIETARY TO MOLEX INCORPORATED AND SHOULD NOT BE USED WITHOUT WRITTEN PERMISSION				



WITH BACK COVER



NOTES:

1. THE UNSPECIFIED DIMENSIONS REFER TO 47151-8001.
2. PACKAGE SPECIFICATION FOR WITHOUT FLANGE:
 47151-8131/8141/8161 REFER TO PK-47151-004,
 47151-8031/8081/8091 REFER TO PK-47151-001.

47151-8131	0.76 MICROMETER MIN.			
47151-8141	0.25 MICROMETER MIN.	WITHOUT	WITH	WITHOUT
47151-8161	GOLD FLASH			
47151-8031	0.76 MICROMETER MIN.			
47151-8081	0.25 MICROMETER MIN.	WITHOUT	WITH	WITH
47151-8091	GOLD FLASH			
PART NO.	CONTACT AREA PLATING	FLANGE	BACK COVER	DIMPLE

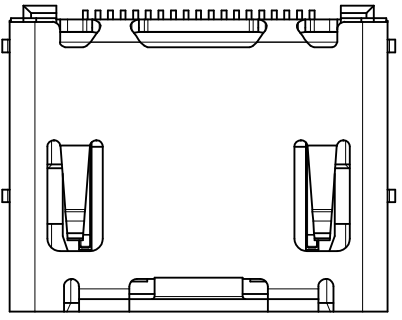
REVISED	EC NO: SH2009-0502	2009/01/23
	DRWN: CWTANG	2009/01/23
REV	CHKD: XJSONG	2009/02/10
	APPR: HWANG	2009/02/10

QUALITY SYMBOLS	$\nabla=0$ $\square=0$
DESCRIPTION	

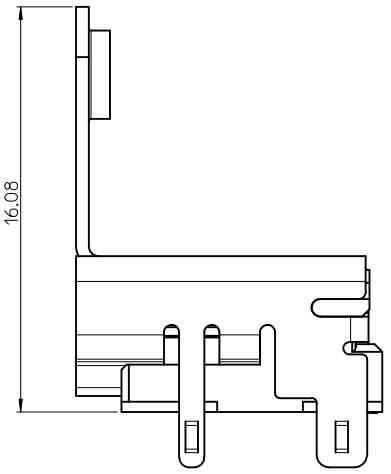
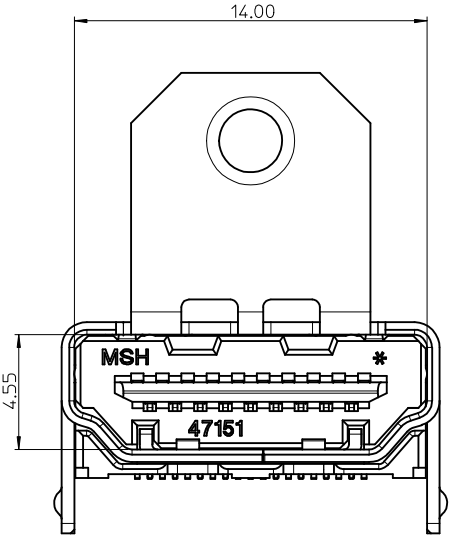
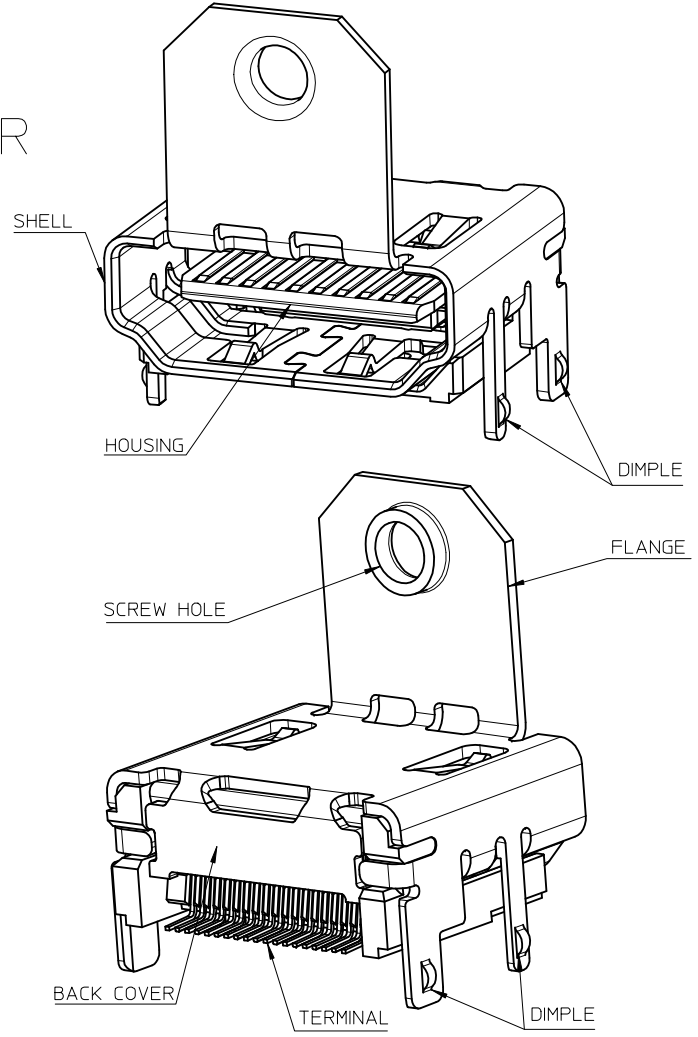
GENERAL TOLERANCES (UNLESS SPECIFIED)	mm	INCH	
	4 PLACES	± ---	± ---
	3 PLACES	± ---	± ---
	2 PLACES	± 0.25	± ---
	1 PLACE	± ---	± ---
	ANGULAR ± 3 °		
DRAFT WHERE APPLICABLE MUST REMAIN WITHIN DIMENSIONS			

DIMENSION STYLE		SCALE	DESIGN UNITS	THIRD ANGLE PROJECTION
MM ONLY		1:1	METRIC	
DRAWN BY	DATE	TITLE		
JZENG	2006/02/21	1.0 HDMI RIGHT ANGLE HEADER WITH DIMPLE TYPE LEAD FREE		
CHECKED BY	DATE	MOLEX INCORPORATED		
DIXON	2006/02/21	DOCUMENT NO. SD-47151-101		
APPROVED BY	DATE	SHEET NO. 3 OF 4		
GRATE MA	2006/02/21	THIS DRAWING CONTAINS INFORMATION THAT IS PROPRIETARY TO MOLEX INCORPORATED AND SHOULD NOT BE USED WITHOUT WRITTEN PERMISSION		
MATERIAL NO.	SEE TABLE			
SIZE	A3			

10 9 8 7 6 5 4 3 2 1



WITH BACK COVER



- NOTES:
1. THE UNSPECIFIED DIMENSIONS REFER TO 47151-8011.
 2. PACKAGE SPECIFICATION FOR WITH FLANGE REFER TO PK-47151-002.

47151-8521	0.25 MICROMETER MIN.	WITH	WITH	WITHOUT
47151-8321	GOLD FLASH			
47151-8121	0.76 MICROMETER MIN.	WITH	WITH	WITH
47151-8221	GOLD FLASH			
47151-8421	0.25 MICROMETER MIN.			
47151-8021	0.76 MICROMETER MIN.	FLANGE	BACK COVER	DIMPLE
PART NO.	CONTACT AREA PLATING			

REVISED
 EC NO: SH2009-0502
 DRWN: CWTANG 2009/01/23
 CHKD: XJSONG
 APPR: HWANG 2009/02/10

QUALITY SYMBOLS

GENERAL TOLERANCES (UNLESS SPECIFIED)

	mm	INCH
4 PLACES	± ---	± ---
3 PLACES	± ---	± ---
2 PLACES	± 0.25	± ---
1 PLACE	± ---	± ---
ANGULAR ± 3 °		

DRAFT WHERE APPLICABLE MUST REMAIN WITHIN DIMENSIONS

DIMENSION STYLE
MM ONLY

DRAWN BY	DATE
JZENG	2006/02/21
CHECKED BY	DATE
DIXON	2006/02/21
APPROVED BY	DATE
GRATE MA	2006/02/21
MATERIAL NO.	
SIZE	A3

SCALE 1:1
 DESIGN UNITS METRIC
 THIRD ANGLE PROJECTION

TITLE
1.0 HDMI RIGHT ANGLE HEADER WITH DIMPLE TYPE LEAD FREE

MOLEX INCORPORATED

DOCUMENT NO. SD-47151-101
 SHEET NO. 4 OF 4

THIS DRAWING CONTAINS INFORMATION THAT IS PROPRIETARY TO MOLEX INCORPORATED AND SHOULD NOT BE USED WITHOUT WRITTEN PERMISSION

9 8 7 6 5 4 3 2 1