

10 9 8 7 6 5 4 3 2 1

F

F

E

E

D

D

C

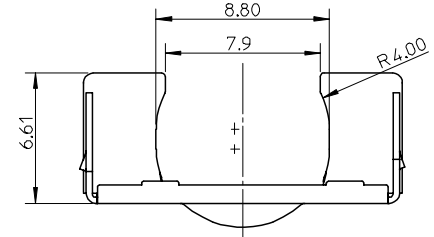
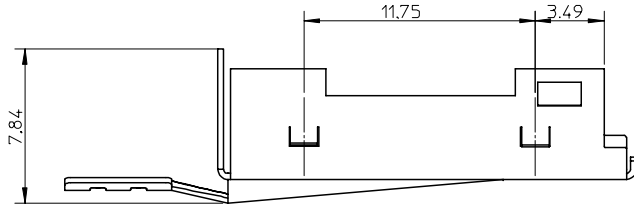
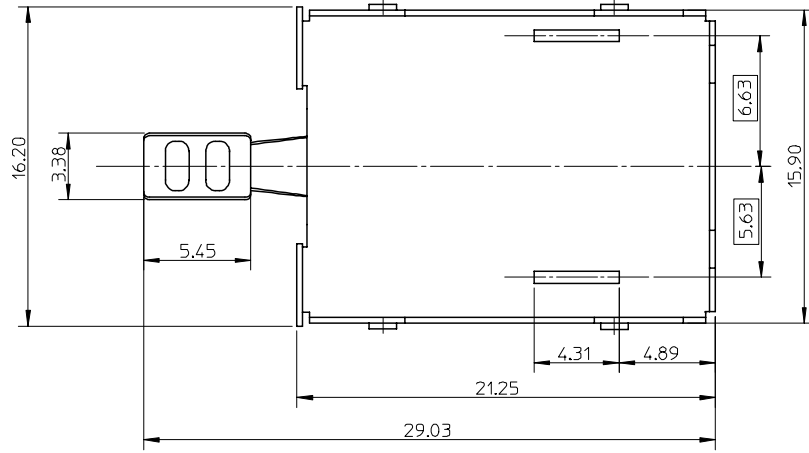
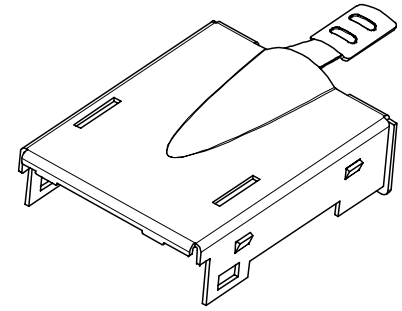
C

B

B

A

A



- NOTES:
1. THIS PART IS WITH LATCHES TYPE
 2. MATERIAL : 0.30MM THICKNESS COPPER ALLOY.
 3. PLATING : NICKEL 2.0 MICROMETER MIN OVERALL.

NEW RELEASE
 EC NO: SH2007-0705
 2007/04/27
 DRWN:HHE
 2007/04/30
 CHKD:
 APPR: JNCHEN
 2007/05/10

QUALITY SYMBOLS
 =0
 =0

GENERAL TOLERANCES (UNLESS SPECIFIED)	
mm	INCH
4 PLACES ± ---	± ---
3 PLACES ± ---	± ---
2 PLACES ± 0.15	± ---
1 PLACE ± 0.15	± ---
ANGULAR ± 2 °	

DRAFT WHERE APPLICABLE
 MUST REMAIN WITHIN DIMENSIONS

DIMENSION STYLE	
MM ONLY	
DRAWN BY	DATE
QWFANG	2006/09/05
CHECKED BY	DATE
IWANG	2006/09/05
APPROVED BY	DATE
JNCHEN	2006/09/05
MATERIAL NO.	
47271-1008	

SCALE	DESIGN UNITS	THIRD ANGLE PROJECTION
4:1	METRIC	
INNER-SHELL-UPPER FOR DISPLAYPORT		
MOLEX INCORPORATED		
DOCUMENT NO.	SHEET NO.	
SD-47271-008	1 OF 2	

9 8 7 6 5 4 3 2 1

10 9 8 7 6 5 4 3 2 1

F

F

E

E

D

D

C

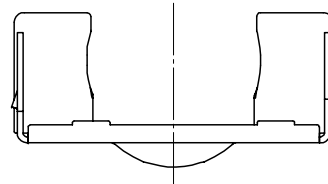
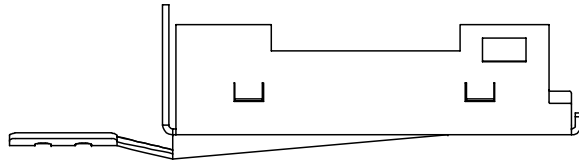
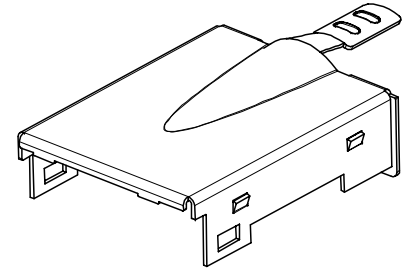
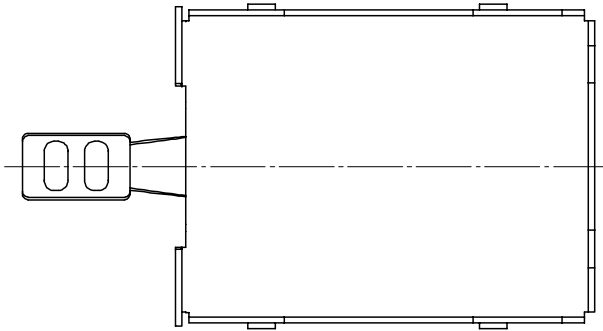
C

B

B

A

A



NOTES:

THIS PART IS WITHOUT LATCHES TYPE.
UNSPECIFIED DIMENSIONS ARE SAME AS SHEET 1.

SEE SHEET 1 EC NO: SH2007-0705 DRWN: HHE CHKD: APPR: JNCHEN 2007/04/27 2007/05/10	DESCRIPTION JNCHEN	QUALITY SYMBOLS	GENERAL TOLERANCES (UNLESS SPECIFIED)	DIMENSION STYLE	SCALE	DESIGN UNITS	THIRD ANGLE PROJECTION	
		$\nabla = 0$ $\sphericalangle = 0$	mm INCH 4 PLACES ± --- ± --- 3 PLACES ± --- ± --- 2 PLACES ± 0.15 ± --- 1 PLACE ± 0.15 ± --- ANGULAR ± 2 °	MM ONLY	4:1	METRIC	DRAWN BY: QWFANG DATE: 2006/09/05 CHECKED BY: DATE: IWANG 2006/09/05 APPROVED BY: DATE: JNCHEN 2006/09/05	TITLE: INNER-SHELL-UPPER FOR DISPLAYPORT MOLEX INCORPORATED
		DRAFT WHERE APPLICABLE MUST REMAIN WITHIN DIMENSIONS	MATERIAL NO. 47271-3008	DOCUMENT NO. SD-47271-008	SHEET NO. 2 OF 2			
		SIZE A3	THIS DRAWING CONTAINS INFORMATION THAT IS PROPRIETARY TO MOLEX INCORPORATED AND SHOULD NOT BE USED WITHOUT WRITTEN PERMISSION					

9 8 7 6 5 4 3 2 1