

NOTES:

1. MATERIAL:

HOUSING: THERMAL PLASTIC, GLASS FILLED, UL94V-0, COLOR: BLACK.  
 TERMINAL: COPPER ALLOY, THICKNESS=0.25MM.

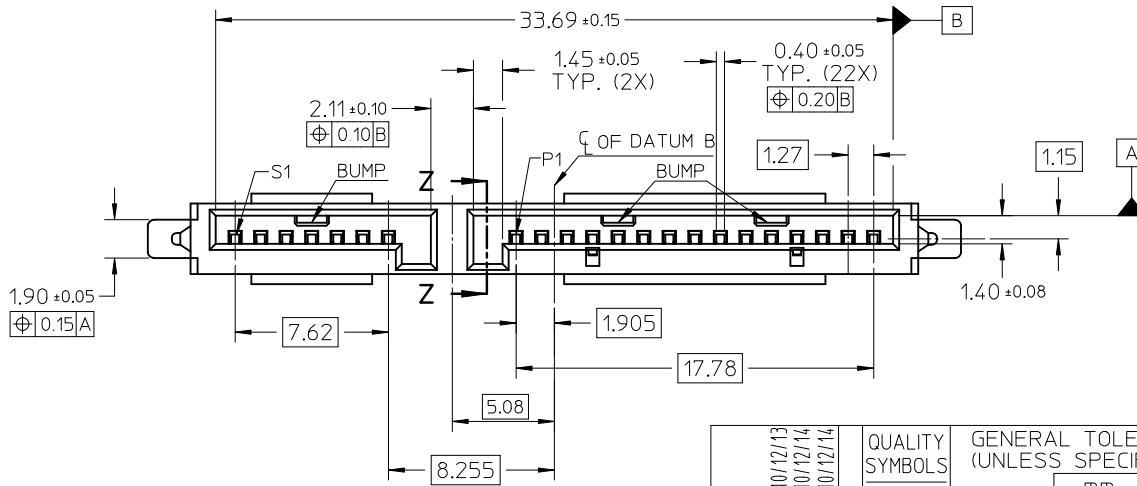
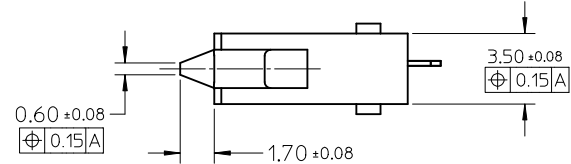
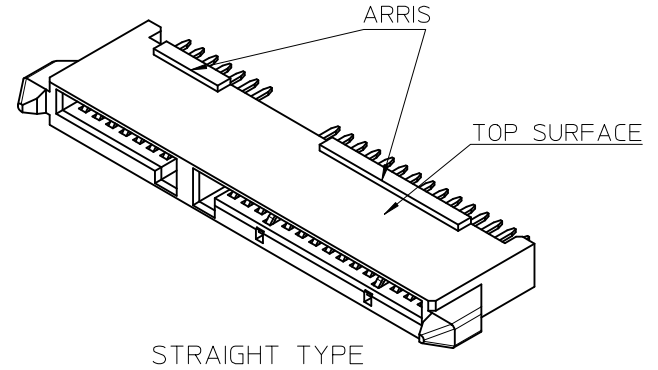
2. TERMINAL PLATING:

CONTACT AREA: GOLD PLATED, SEE TABLE.  
 SOLDER AREA: PURE TIN, THICKNESS=1.27 MICRONS MINIMUM.  
 UNDER PLATE: NICKLE, THICKNESS=1.27 MICRONS MINIMUM.

3. PRODUCT SPECIFICATION: REFER TO PS-47362-001.

4. PACKAGING METHOD: REFER TO PK-47362-001.

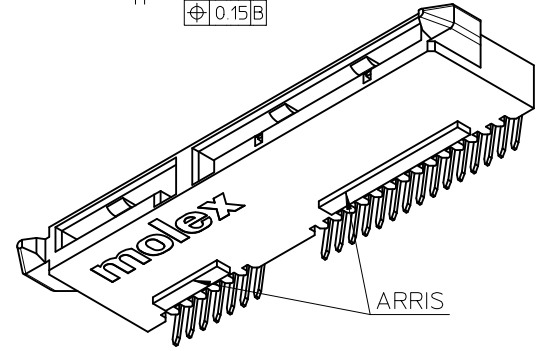
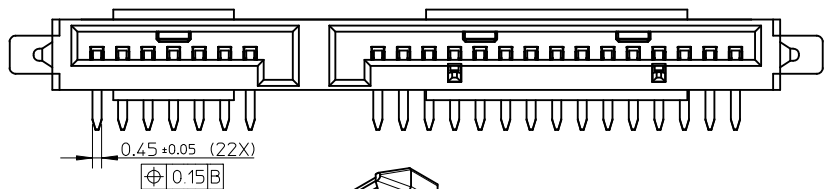
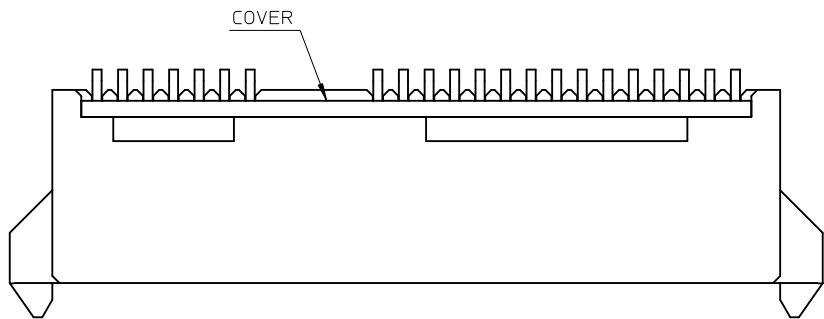
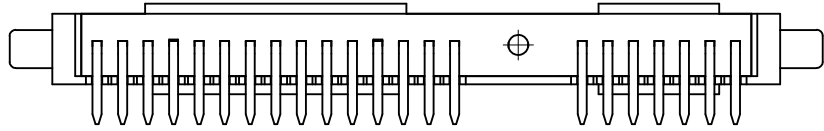
5. PRODUCT COMPLIANT TO RoHS DIRECTIVE 2002/95/EC AND  
 ELV DIRECTIVE 2000/53/EC



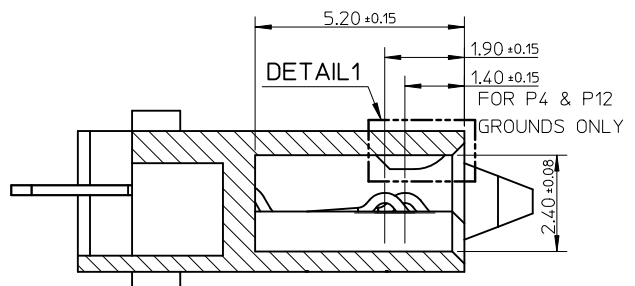
REVISED EC NO: SH2011-0156 DRWN:XOZHANG CHKD:GLLI APPR:X.J.SONG 2010/12/13 2010/12/14 2010/12/14 REV	QUALITY SYMBOLS	GENERAL TOLERANCES (UNLESS SPECIFIED)	DIMENSION STYLE	SCALE	DESIGN UNITS	THIRD ANGLE PROJECTION															
	$\nabla_A = 0$ $\nabla_B = 0$ $\nabla_C = 0$	<table border="1"> <thead> <tr> <th></th> <th>mm</th> <th>INCH</th> </tr> </thead> <tbody> <tr> <td>4 PLACES</td> <td>± ---</td> <td>± ---</td> </tr> <tr> <td>3 PLACES</td> <td>± ---</td> <td>± ---</td> </tr> <tr> <td>2 PLACES</td> <td>± 0.20</td> <td>± ---</td> </tr> <tr> <td>1 PLACE</td> <td>± 0.25</td> <td>± ---</td> </tr> </tbody> </table>		mm	INCH	4 PLACES	± ---	± ---	3 PLACES	± ---	± ---	2 PLACES	± 0.20	± ---	1 PLACE	± 0.25	± ---	MM ONLY	4:1	METRIC	
		mm	INCH																		
	4 PLACES	± ---	± ---																		
3 PLACES	± ---	± ---																			
2 PLACES	± 0.20	± ---																			
1 PLACE	± 0.25	± ---																			
DRAWN BY: BCHEN26 CHECKED BY: DIXON APPROVED BY: GRATE DATE: 2005/12/05 DATE: 2005/12/05 DATE: 2005/12/05	DRAFT WHERE APPLICABLE MUST REMAIN WITHIN DIMENSIONS	SEE SHEET 4	TITLE COMBO SATA RECEPTACLE CABLE END	MOLEX INCORPORATED	SHEET NO. 1 OF 4																
MATERIAL NO. SD-47362-100	DOCUMENT NO.	THIS DRAWING CONTAINS INFORMATION THAT IS PROPRIETARY TO MOLEX INCORPORATED AND SHOULD NOT BE USED WITHOUT WRITTEN PERMISSION																			

10 9 8 7 6 5 4 3 2 1

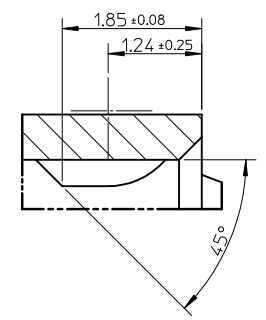
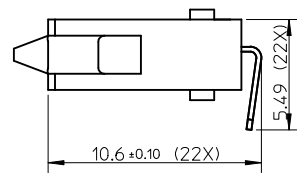
F  
E  
D  
C  
B  
A



RIGHT ANGLE 90 DEGREE TYPE  
 OTHER DIMENSIONS REFER TO STRAIGHT TYPE



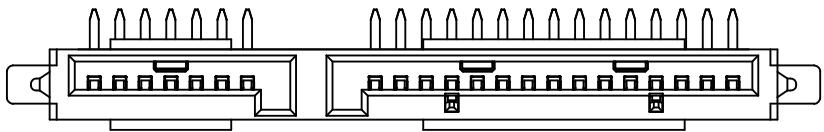
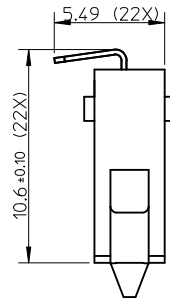
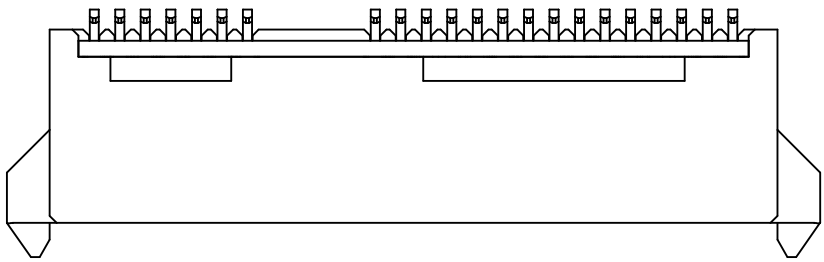
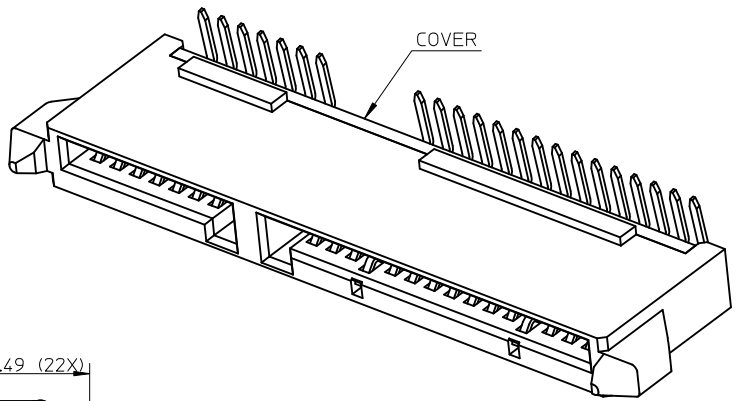
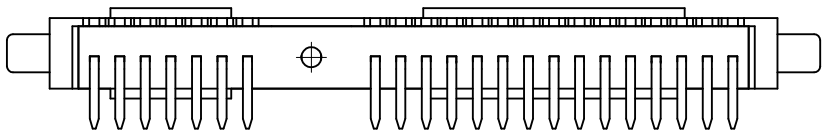
SECTION Z-Z



DETAIL 1

SEE SHEET 1 EC NO: SH2011-0156 DRWN: XZHZHANG 2010/12/13 CHKD: GLLI 2010/12/14 APPR: XJISONG 2010/12/14	QUALITY SYMBOLS $\nabla$ F=0 $\nabla$ F=0 $\nabla$ F=0	GENERAL TOLERANCES (UNLESS SPECIFIED) mm INCH 4 PLACES ± --- ± --- 3 PLACES ± --- ± --- 2 PLACES ± 0.20 ± --- 1 PLACE ± 0.25 ± --- ANGULAR ± 3°	DIMENSION STYLE MM ONLY DRAWN BY: BCHEN26 CHECKED BY: DIXON APPROVED BY: GRATE DATE: 2005/12/05 DATE: 2005/12/05 DATE: 2005/12/05	SCALE 4:1 DESIGN UNITS METRIC THIRD ANGLE PROJECTION	TITLE COMBO SATA RECEPTACLE CABLE END	
	MATERIAL NO. SEE SHEET 4	DOCUMENT NO. SD-47362-100	SHEET NO. 2 OF 4			
	DRAFT WHERE APPLICABLE MUST REMAIN WITHIN DIMENSIONS			THIS DRAWING CONTAINS INFORMATION THAT IS PROPRIETARY TO MOLEX INCORPORATED AND SHOULD NOT BE USED WITHOUT WRITTEN PERMISSION		
	SEE SHEET 1			MOLEX INCORPORATED		

9 8 7 6 5 4 3 2 1



RIGHT ANGLE 270 DEGREE TYPE  
OTHER DIMENSIONS REFER TO RIGHT ANGLE 90 DEGREE TYPE

SEE SHEET 1 IEC NO: SH2011-0156 DRWN: XZHUANG CHKD: GLLI APPR: XJSONG	QUALITY SYMBOLS F <sub>A</sub> =0 F <sub>B</sub> =0 F <sub>C</sub> =0	GENERAL TOLERANCES (UNLESS SPECIFIED)		DIMENSION STYLE MM ONLY		SCALE 4:1	DESIGN UNITS METRIC	THIRD ANGLE PROJECTION
		4 PLACES ± --- ± --- 3 PLACES ± --- ± --- 2 PLACES ± 0.20 ± --- 1 PLACE ± 0.25 ± --- ANGULAR ± 3 °	mm INCH ± --- ± --- ± 0.20 ± --- ± 0.25 ± ---	DRAWN BY BCHEN26	DATE 2005/12/05	TITLE COMBO SATA RECEPTACLE CABLE END		
J	DESCRIPTION REV	DRAFT WHERE APPLICABLE MUST REMAIN WITHIN DIMENSIONS		APPROVED BY GRATE		DATE 2005/12/05	MOLEX INCORPORATED	
		SEE SHEET 4		MATERIAL NO.		DOCUMENT NO.		SHEET NO.
		SIZE A3		THIS DRAWING CONTAINS INFORMATION THAT IS PROPRIETARY TO MOLEX INCORPORATED AND SHOULD NOT BE USED WITHOUT WRITTEN PERMISSION				

F

E

D

C

B

A

P/N	CONTACT AREA PLATING	REMARK	TYPE	DESCRIPTION	
47362-1003	0.38 MICRONS MIN. GOLD PLATING	WITH ARRIS ON BOTH SURFACE WITHOUT BUMPS	STRAIGHT TYPE	WITH HALOGEN	
47362-3032	0.38 MICRONS MIN. GOLD PLATING	WITHOUT ARRIS	RIGHT ANGLE TYPE 270 DEGREE		
47362-3031	0.76 MICRONS MIN. GOLD PLATING	WITH BUMPS, WITH COVER			
47362-3030	GOLD FLASH				
47362-3022	0.38 MICRONS MIN. GOLD PLATING	WITH ARRIS ON BOTTOM SURFACE			
47362-3021	0.76 MICRONS MIN. GOLD PLATING	WITH BUMPS, WITH COVER			
47362-3020	GOLD FLASH				
47362-3012	0.38 MICRONS MIN. GOLD PLATING	WITH ARRIS ON TOP SURFACE			
47362-3011	0.76 MICRONS MIN. GOLD PLATING	WITH BUMPS, WITH COVER			
47362-3010	GOLD FLASH				
47362-3002	0.38 MICRONS MIN. GOLD PLATING	WITH ARRIS ON BOTH SURFACE			
47362-3001	0.76 MICRONS MIN. GOLD PLATING	WITH BUMPS, WITH COVER			
47362-3000	GOLD FLASH				
47362-2032	0.38 MICRONS MIN. GOLD PLATING	WITHOUT ARRIS			RIGHT ANGLE TYPE 90 DEGREE
47362-2031	0.76 MICRONS MIN. GOLD PLATING	WITH BUMPS, WITH COVER			
47362-2030	GOLD FLASH				
47362-2022	0.38 MICRONS MIN. GOLD PLATING	WITH ARRIS ON BOTTOM SURFACE			
47362-2021	0.76 MICRONS MIN. GOLD PLATING	WITH BUMPS, WITH COVER			
47362-2020	GOLD FLASH				
47362-2012	0.38 MICRONS MIN. GOLD PLATING	WITH ARRIS ON TOP SURFACE			
47362-2011	0.76 MICRONS MIN. GOLD PLATING	WITH BUMPS, WITH COVER			
47362-2010	GOLD FLASH				
47362-2002	0.38 MICRONS MIN. GOLD PLATING	WITH ARRIS ON BOTH SURFACE			
47362-2001	0.76 MICRONS MIN. GOLD PLATING	WITH BUMPS, WITH COVER			
47362-2000	GOLD FLASH				
47362-1032	0.38 MICRONS MIN. GOLD PLATING	WITHOUT ARRIS	STRAIGHT TYPE		
47362-1031	0.76 MICRONS MIN. GOLD PLATING	WITH BUMPS			
47362-1030	GOLD FLASH				
47362-1022	0.38 MICRONS MIN. GOLD PLATING	WITH ARRIS ON BOTTOM SURFACE			
47362-1021	0.76 MICRONS MIN. GOLD PLATING	WITH BUMPS			
47362-1020	GOLD FLASH				
47362-1012	0.38 MICRONS MIN. GOLD PLATING	WITH ARRIS ON TOP SURFACE			
47362-1011	0.76 MICRONS MIN. GOLD PLATING	WITH BUMPS			
47362-1010	GOLD FLASH				
47362-1002	0.38 MICRONS MIN. GOLD PLATING	WITH ARRIS ON BOTH SURFACE			
47362-1001	0.76 MICRONS MIN. GOLD PLATING	WITH BUMPS			
47362-1000	GOLD FLASH				

P/N	CONTACT AREA PLATING	REMARK	TYPE	DESCRIPTION
47362-1082	0.38 MICRONS MIN. GOLD PLATING	WITH ARRIS ON BOTH SURFACE WITH BUMPS	STRAIGHT TYPE	HALOGEN FREE

SEE SHEET 1 EC NO: SH2011-0156 DRWN:XQZHANG 2010/12/13 CHKD:GLL 2010/12/14 APPR:XJSONG 2010/12/14	QUALITY SYMBOLS	$\nabla_A = 0$
		$\nabla_G = 0$
		$\nabla_P = 0$
	REV	DESCRIPTION

GENERAL TOLERANCES (UNLESS SPECIFIED)	DIMENSION STYLE <b>MM ONLY</b>	SCALE <b>4:1</b>	DESIGN UNITS <b>METRIC</b>	THIRD ANGLE PROJECTION
	mm INCH	DRAWN BY BCHEN26	DATE 2005/12/05	TITLE <b>COMBO SATA RECEPTACLE CABLE END</b>
4 PLACES ± --- ± ---		CHECKED BY DIXON	DATE 2005/12/05	<b>MOLEX INCORPORATED</b>
3 PLACES ± --- ± ---		APPROVED BY GRATE	DATE 2005/12/05	
2 PLACES ± 0.20 ± ---		MATERIAL NO.	DOCUMENT NO.	SHEET NO.
1 PLACE ± 0.25 ± ---		SEE TABLE		
ANGULAR ± 3 °		THIS DRAWING CONTAINS INFORMATION THAT IS PROPRIETARY TO MOLEX INCORPORATED AND SHOULD NOT BE USED WITHOUT WRITTEN PERMISSION		

DRAFT WHERE APPLICABLE MUST REMAIN WITHIN DIMENSIONS		SIZE <b>A3</b>	THIS DRAWING CONTAINS INFORMATION THAT IS PROPRIETARY TO MOLEX INCORPORATED AND SHOULD NOT BE USED WITHOUT WRITTEN PERMISSION	
--	--	-------------------	---	--