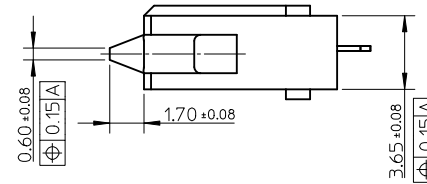
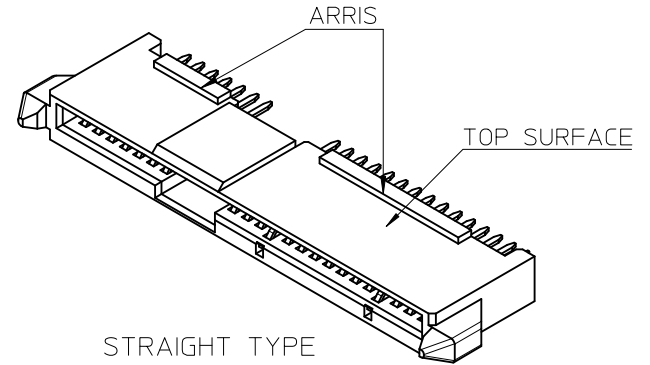


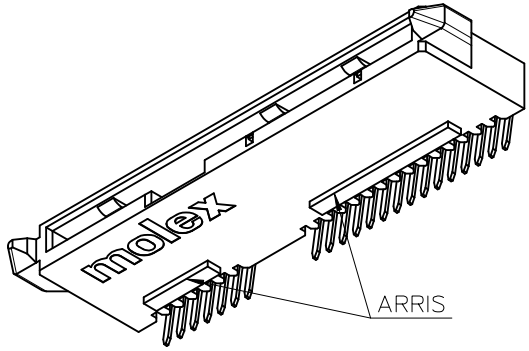
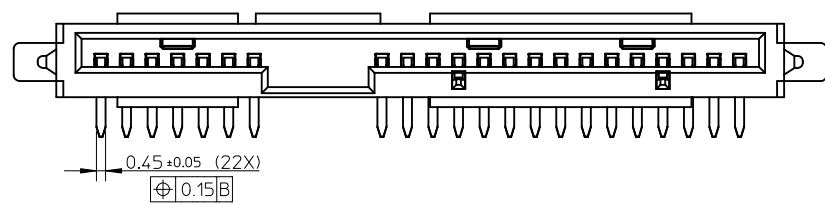
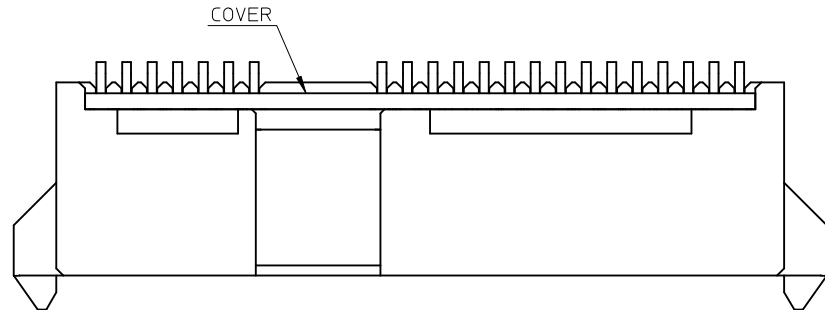
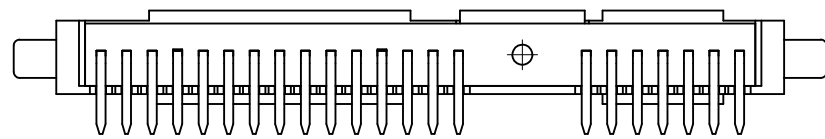
NOTES:

1. MATERIAL:
HOUSING: THERMAL PLASTIC, GLASS FILLED, UL94V-0, COLOR: BLACK.
TERMINAL: COPPER ALLOY, THICKNESS=0.25MM.
2. TERMINAL PLATING:
CONTACT AREA: GOLD PLATED, SEE TABLE.
SOLDER AREA: PURE TIN, THICKNESS=1.27 MICRONS MINIMUM.
UNDER PLATE: NICKLE, THICKNESS=1.27 MICRONS MINIMUM.
3. PRODUCT SPECIFICATION: REFER TO PS-47362-001.
4. PACKAGING METHOD: REFER TO PK-47362-001.
5. PRODUCT COMPLIANT TO RoHS DIRECTIVE 2002/95/EC AND ELV DIRECTIVE 2000/53/EC

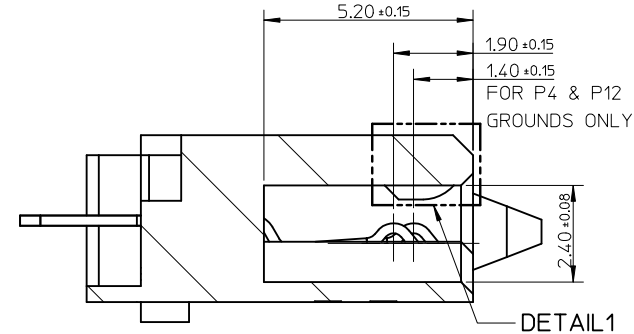


ADD PART NUMBER EC NO: SH2011-0156 DRWN: XZHZHANG 2010/12/13 CHKD: GLLI 2010/12/14 APPR: XJISONG 2010/12/14	QUALITY SYMBOLS F=0 F=0 F=0	GENERAL TOLERANCES (UNLESS SPECIFIED)		DIMENSION STYLE MM ONLY		SCALE 4:1	DESIGN UNITS METRIC	THIRD ANGLE PROJECTION	
		4 PLACES ± --- ± ---	mm INCH	DRAWN BY BCHEN26	DATE 2005/12/05	TITLE COMBO SAS RECEPTACLE CABLE END			
		3 PLACES ± --- ± ---		CHECKED BY DIXON	DATE 2005/12/05	MOLEX INCORPORATED			
		2 PLACES ± 0.20 ± --- 1 PLACE ± 0.25 ± ---		APPROVED BY GRATE	DATE 2005/12/05	MATERIAL NO. SEE SHEET 5	DOCUMENT NO. SD-47363-100	SHEET NO. 1 OF 5	
DRAFT WHERE APPLICABLE MUST REMAIN WITHIN DIMENSIONS		ANGULAR ± 3 °		THIS DRAWING CONTAINS INFORMATION THAT IS PROPRIETARY TO MOLEX INCORPORATED AND SHOULD NOT BE USED WITHOUT WRITTEN PERMISSION					

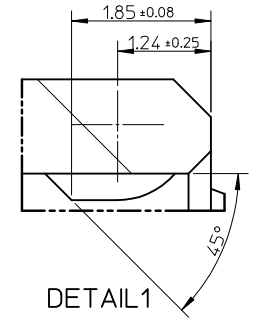
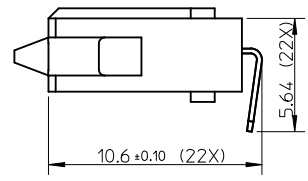
10 9 8 7 6 5 4 3 2 1



RIGHT ANGLE 90 DEGREE TYPE
OTHER DIMENSIONS REFER TO STRAIGHT TYPE



SECTION Z-Z



DETAIL 1

SEE SHEET 1 EC NO: SHZ011-0156 DRWN: XQZHANG CHKD: GLLI APPR: XJSONG 2010/12/13 2010/12/14 2010/12/14	QUALITY SYMBOLS $F_A = 0$ $F_B = 0$ $F_C = 0$	GENERAL TOLERANCES (UNLESS SPECIFIED) mm INCH 4 PLACES ± --- ± --- 3 PLACES ± --- ± --- 2 PLACES ± 0.20 ± --- 1 PLACE ± 0.25 ± --- ANGULAR ± 3°	DIMENSION STYLE MM ONLY DRAWN BY: BCHEN26 CHECKED BY: DIXON APPROVED BY: GRATE DATE: 2005/12/05 DATE: 2005/12/05 DATE: 2005/12/05	SCALE: 4:1 DESIGN UNITS: METRIC THIRD ANGLE PROJECTION	TITLE: COMBO SAS RECEPTACLE CABLE END
	DRAFT WHERE APPLICABLE MUST REMAIN WITHIN DIMENSIONS	MATERIAL NO. SEE SHEET 5	MOLEX INCORPORATED DOCUMENT NO. SD-47363-100	SHEET NO. 2 OF 5	
	THIS DRAWING CONTAINS INFORMATION THAT IS PROPRIETARY TO MOLEX INCORPORATED AND SHOULD NOT BE USED WITHOUT WRITTEN PERMISSION				

9 8 7 6 5 4 3 2 1

10 9 8 7 6 5 4 3 2 1

F

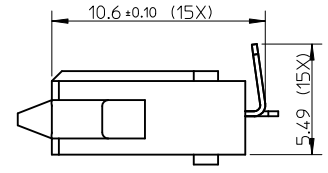
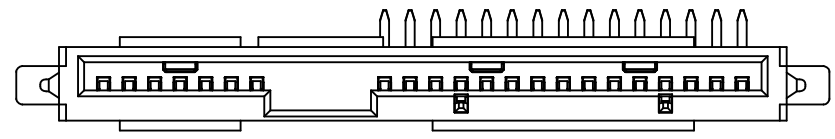
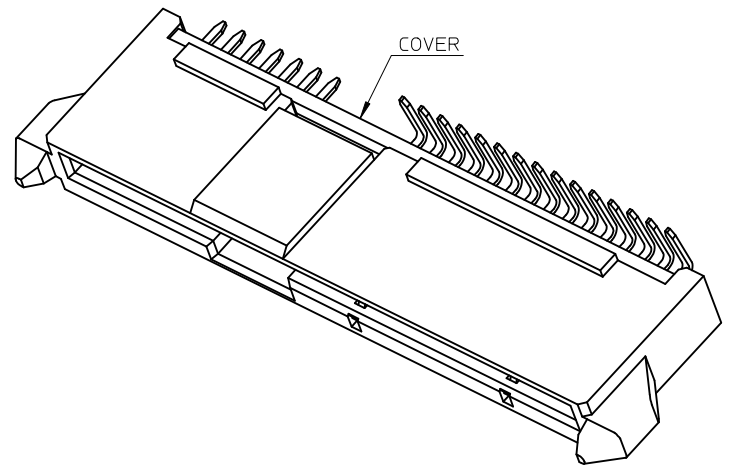
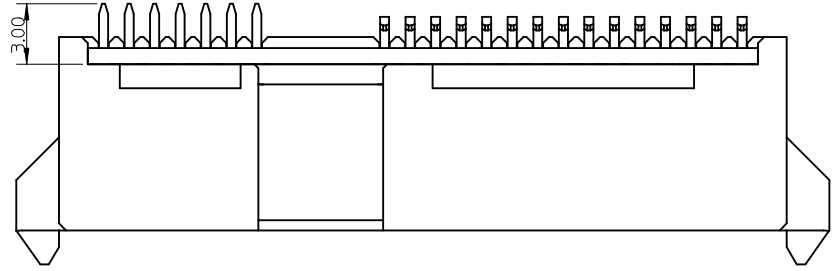
E

D

C

B

A

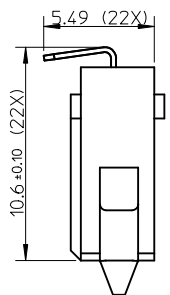
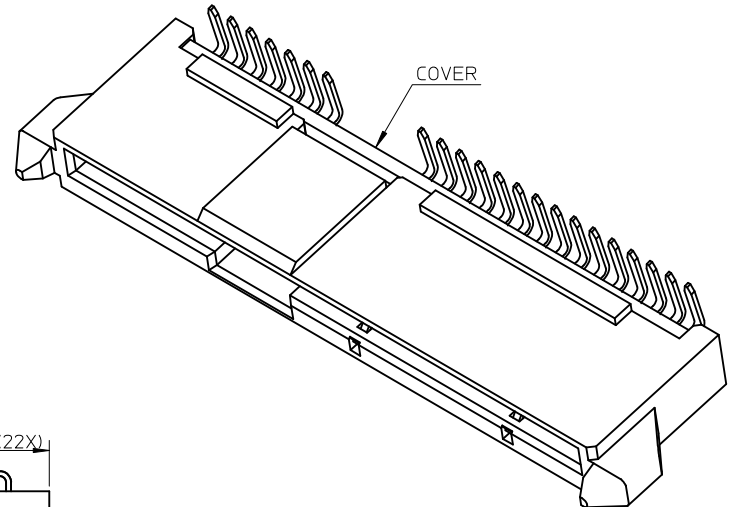
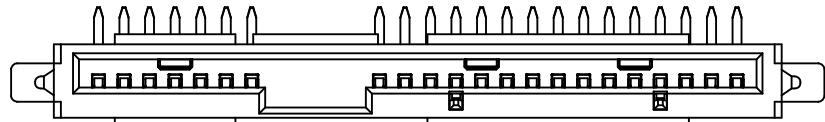
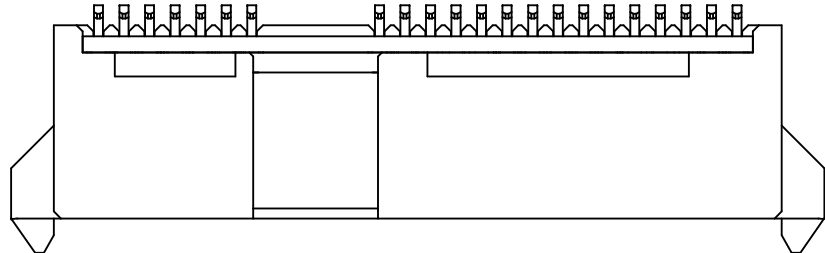
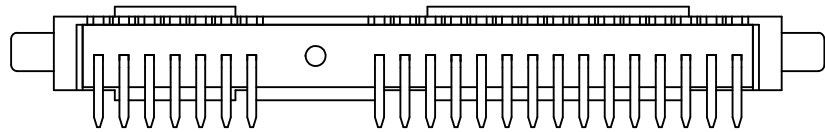


COMPOSITE TYPE

OTHER DIMENSIONS REFER TO STRAIGHT TYPE OR RIGHT ANGLE 90 DEGREE TYPE.

SEE SHEET 1 IEC NO: SH2011-0156 G DRWN: XZHZHANG 2010/12/13 CH: KD: GLLI 2010/12/14 APPR: XJ: SONG 2010/12/14	DESCRIPTION REV	QUALITY SYMBOLS	GENERAL TOLERANCES (UNLESS SPECIFIED)	DIMENSION STYLE	SCALE	DESIGN UNITS	THIRD ANGLE PROJECTION		
		$\nabla F=0$ $\nabla E=0$ $\nabla A=0$	mm INCH 4 PLACES ± --- ± --- 3 PLACES ± --- ± --- 2 PLACES ± 0.20 ± --- 1 PLACE ± 0.25 ± --- ANGULAR ± 3 °	MM ONLY	4:1	METRIC	DRAWN BY: BCHEN26 CHECKED BY: DIXON APPROVED BY: GRATE MATERIAL NO.	DATE: 2005/12/05 DATE: 2005/12/05 DATE: 2005/12/05	TITLE: COMBO SAS RECEPTACLE CABLE END MOLEX INCORPORATED DOCUMENT NO. SD-47363-100
		DRAFT WHERE APPLICABLE MUST REMAIN WITHIN DIMENSIONS		SEE SHEET 5	THIS DRAWING CONTAINS INFORMATION THAT IS PROPRIETARY TO MOLEX INCORPORATED AND SHOULD NOT BE USED WITHOUT WRITTEN PERMISSION		SHEET NO. 3 OF 5		
				SIZE A3					

9 8 7 6 5 4 3 2 1



RIGHT ANGLE 270 DEGREE TYPE
OTHER DIMENSIONS REFER TO RIGHT ANGLE 90 DEGREE TYPE.

SEE SHEET 1 EC NO: SH2011-0156 DRWN: XQZHANG CHKD: GLLI APPR: XJSONG	2010/12/13 2010/12/14 2010/12/14	DESCRIPTION REV	QUALITY SYMBOLS	GENERAL TOLERANCES (UNLESS SPECIFIED)	DIMENSION STYLE	SCALE	DESIGN UNITS	THIRD ANGLE PROJECTION			
			$\nabla_A = 0$ $\nabla_G = 0$ $\nabla_P = 0$	mm INCH 4 PLACES ± --- ± --- 3 PLACES ± --- ± --- 2 PLACES ± 0.20 ± --- 1 PLACE ± 0.25 ± --- ANGULAR ± 3 °	MM ONLY	4:1	METRIC	DRAWN BY: BCHEN26 CHECKED BY: DIXON APPROVED BY: GRATE	DATE: 2005/12/05 DATE: 2005/12/05 DATE: 2005/12/05	TITLE	MOLEX INCORPORATED DOCUMENT NO.
			DRAFT WHERE APPLICABLE MUST REMAIN WITHIN DIMENSIONS	SEE SHEET 5	COMBO SAS RECEPTACLE CABLE END MOLEX INCORPORATED SD-47363-100	SHEET NO. 4 OF 5					
			SIZE A3	THIS DRAWING CONTAINS INFORMATION THAT IS PROPRIETARY TO MOLEX INCORPORATED AND SHOULD NOT BE USED WITHOUT WRITTEN PERMISSION							

P/N	CONTACT AREA PLATING	REMARK	TYPE	DESCRIPTION
47363-4032	0.38 MICRONS MIN. GOLD PLATING	WITHOUT ARRIS	RIGHT ANGLE TYPE 270 DEGREE	WITH HALOGEN
47363-4031	0.76 MICRONS MIN. GOLD PLATING	WITH COVER		
47363-4030	GOLD FLASH			
47363-4022	0.38 MICRONS MIN. GOLD PLATING	WITH ARRIS ON BOTTOM SURFACE		
47363-4021	0.76 MICRONS MIN. GOLD PLATING	WITH COVER		
47363-4020	GOLD FLASH			
47363-4012	0.38 MICRONS MIN. GOLD PLATING	WITH ARRIS ON TOP SURFACE		
47363-4011	0.76 MICRONS MIN. GOLD PLATING	WITH COVER		
47363-4010	GOLD FLASH			
47363-4002	0.38 MICRONS MIN. GOLD PLATING	WITH ARRIS ON BOTH SURFACE		
47363-4001	0.76 MICRONS MIN. GOLD PLATING	WITH COVER	COMPOSITE TYPE	WITH HALOGEN
47363-4000	GOLD FLASH			
47363-3032	0.38 MICRONS MIN. GOLD PLATING	WITHOUT ARRIS		
47363-3031	0.76 MICRONS MIN. GOLD PLATING	WITH COVER		
47363-3030	GOLD FLASH			
47363-3022	0.38 MICRONS MIN. GOLD PLATING	WITH ARRIS ON BOTTOM SURFACE		
47363-3021	0.76 MICRONS MIN. GOLD PLATING	WITH COVER		
47363-3020	GOLD FLASH			
47363-3012	0.38 MICRONS MIN. GOLD PLATING	WITH ARRIS ON TOP SURFACE		
47363-3011	0.76 MICRONS MIN. GOLD PLATING	WITH COVER		
47363-3010	GOLD FLASH		RIGHT ANGLE TYPE 90 DEGREE	WITH HALOGEN
47363-3002	0.38 MICRONS MIN. GOLD PLATING	WITH ARRIS ON BOTH SURFACE		
47363-3001	0.76 MICRONS MIN. GOLD PLATING	WITH COVER		
47363-3000	GOLD FLASH			
47363-2032	0.38 MICRONS MIN. GOLD PLATING	WITHOUT ARRIS		
47363-2031	0.76 MICRONS MIN. GOLD PLATING	WITH COVER		
47363-2030	GOLD FLASH			
47363-2022	0.38 MICRONS MIN. GOLD PLATING	WITH ARRIS ON BOTTOM SURFACE		
47363-2021	0.76 MICRONS MIN. GOLD PLATING	WITH COVER		
47363-2020	GOLD FLASH			
47363-2012	0.38 MICRONS MIN. GOLD PLATING	WITH ARRIS ON TOP SURFACE	STRAIGHT TYPE	WITH HALOGEN
47363-2011	0.76 MICRONS MIN. GOLD PLATING	WITH COVER		
47363-2010	GOLD FLASH			
47363-2002	0.38 MICRONS MIN. GOLD PLATING	WITH ARRIS ON BOTH SURFACE		
47363-2001	0.76 MICRONS MIN. GOLD PLATING	WITH COVER		
47363-2000	GOLD FLASH			
47363-1032	0.38 MICRONS MIN. GOLD PLATING	WITHOUT ARRIS		
47363-1031	0.76 MICRONS MIN. GOLD PLATING			
47363-1030	GOLD FLASH			
47363-1022	0.38 MICRONS MIN. GOLD PLATING	WITH ARRIS ON BOTTOM SURFACE		
47363-1021	0.76 MICRONS MIN. GOLD PLATING			
47363-1020	GOLD FLASH			
47363-1012	0.38 MICRONS MIN. GOLD PLATING	WITH ARRIS ON TOP SURFACE		
47363-1011	0.76 MICRONS MIN. GOLD PLATING			
47363-1010	GOLD FLASH			
47363-1002	0.38 MICRONS MIN. GOLD PLATING	WITH ARRIS ON BOTH SURFACE		
47363-1001	0.76 MICRONS MIN. GOLD PLATING			
47363-1000	GOLD FLASH			

47363-3102	0.38 MICRONS MIN. GOLD PLATING	WITH ARRIS ON BOTH SURFACE	COMPOSITE TYPE	HALOGEN FREE
47363-3101	0.76 MICRONS MIN. GOLD PLATING	WITH COVER		
47363-3100	GOLD FLASH			
P/N	CONTACT AREA PLATING	REMARK	TYPE	DESCRIPTION

REV	DESCRIPTION
1	QUALITY SYMBOLS
2	$F_A=0$
3	$F_B=0$
4	$F_C=0$

GENERAL TOLERANCES (UNLESS SPECIFIED)	
mm	INCH
4 PLACES ± ---	± ---
3 PLACES ± ---	± ---
2 PLACES ± 0.20	± ---
1 PLACE ± 0.25	± ---
ANGULAR ± 3 °	
DRAFT WHERE APPLICABLE MUST REMAIN WITHIN DIMENSIONS	

DIMENSION STYLE	
MM ONLY	
DRAWN BY	DATE
BCHEN26	2005/12/05
CHECKED BY	DATE
DIXON	2005/12/05
APPROVED BY	DATE
GRATE	2005/12/05
MATERIAL NO.	
SEE TABLE	

SCALE	DESIGN UNITS	THIRD ANGLE PROJECTION
4:1	METRIC	
TITLE		
COMBO SAS RECEPTACLE CABLE END		
APPROVED BY		
DATE		
2005/12/05		
MATERIAL NO.		DOCUMENT NO.
SEE TABLE		SD-47363-100
SHEET NO.		5 OF 5