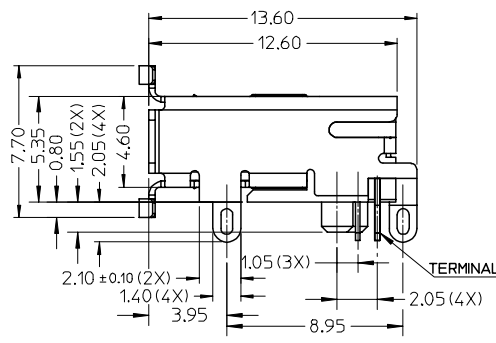
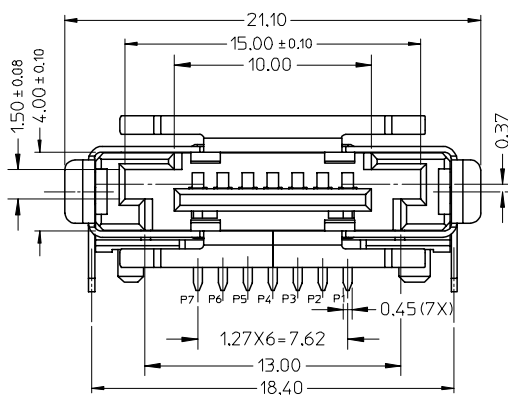
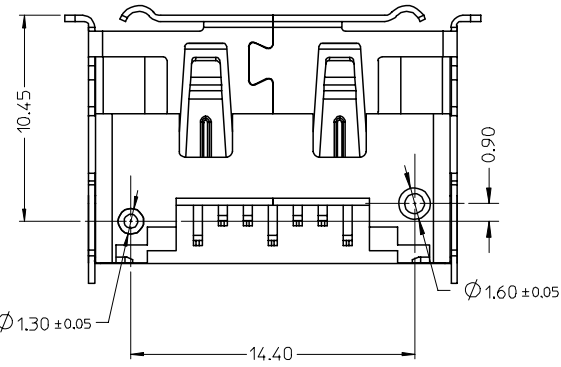


RECOMMEND PCB LAYOUT(CONNECTOR SIDE)
THICKNESS=1.30(ALL TOLERANCE: +/-0.05)

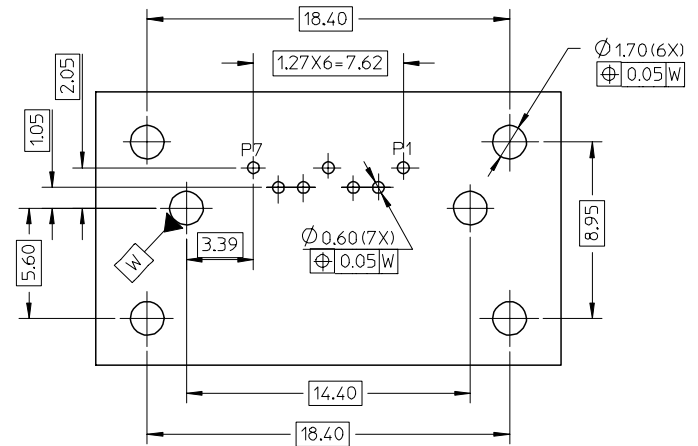
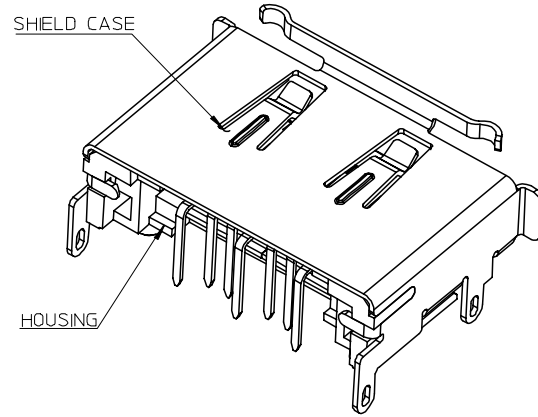
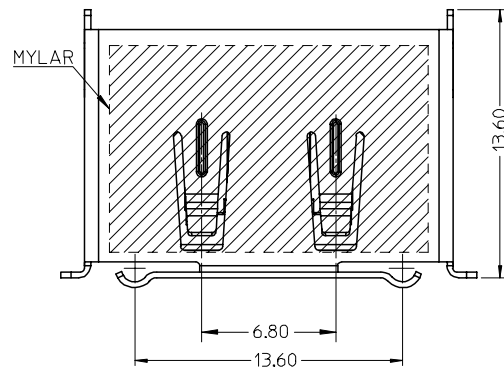


NOTES:

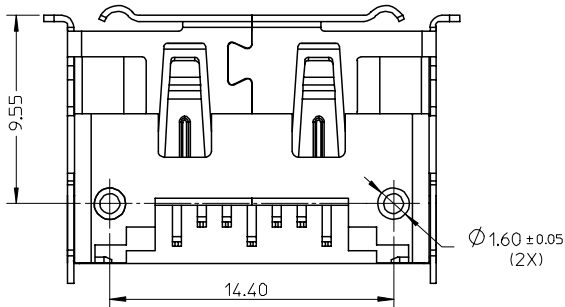
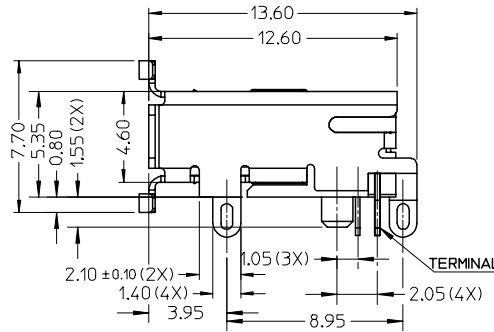
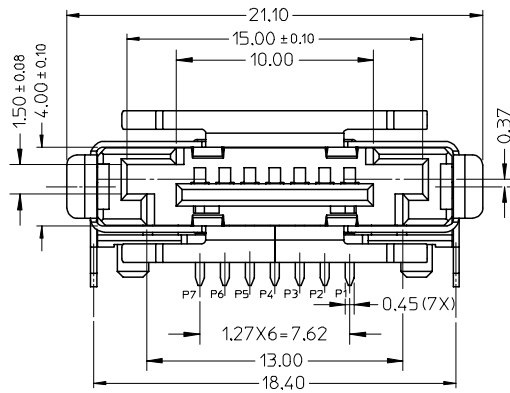
- MATERIAL:
HOUSING: THERMAL PLASTIC,COLOR: BLACK, UL94V-0.
SHIELD CASE: COPPER ALLOY.
TERMIANL: COPPER ALLOY.
- PLATING:
SHIELD CASE: 100~200µ" SOLDERABLE NICKEL OVER ALL.
TERMINAL: CONTACT AREA GOLD PLATING(SEE CHART) AND
SOLDER TAIL 50~100µ" TIN ALLOY PLATING
OVER 50µ" MIN. NICKEL.
- PRODUCT SPEC REFER TO PS-47082-001.
- PACKAGE SPEC REFER TO PK-47379-001.
- PRODUCT MEET STANDARD 1.0 REVISION OF THE SERIAL ATA II:
CABLE AND CONNECTOR VOL 2 SPECIFICATION.
- PRODUCT COMPLIANT TO RoHS DIRECTIVE 2002/95/EC AND ELV 2000/53/EC.



| | | | | | | | | | | |
|---------|--------------|----------------------|--------------------------------|--|------|--|--------------------|---|------------------------|------------------------|
| REVISED | EC NO: | 2007/04/30 | QUALITY SYMBOLS ▽=0 ▽C=0 | GENERAL TOLERANCES (UNLESS SPECIFIED) | | DIMENSION STYLE MM ONLY | | SCALE 1:1 | DESIGN UNITS METRIC | THIRD ANGLE PROJECTION |
| | DRWN:GLLI | 2007/05/04 | | mm | INCH | DRAWN BY DIXON LI | DATE 2006/11/17 | TITLE EXTERNAL SATA PLUG WITH SHELL DIP MOUNT TYPE | MOLEX INCORPORATED | SHEET NO. 1 OF 3 |
| | CHKD: | 2007/05/09 | | 4 PLACES ± --- ± --- | | CHECKED BY JENNY ZENG | DATE 2006/11/17 | | | |
| | APPR: JNCHEN | | | 3 PLACES ± --- ± --- | | APPROVED BY GRATE MA | DATE 2006/11/17 | | | |
| REV | DESCRIPTION | 2 PLACES ± 0.2 ± --- | | MATERIAL NO. | | DOCUMENT NO. | | | | |
| | | 1 PLACE ± 0.25 ± --- | | DRAFT WHERE APPLICABLE MUST REMAIN WITHIN DIMENSIONS | | SEE TABLE IN SHEET 3 | | SD-47392-100 | | |
| | | ANGULAR ± 3 ° | | SIZE A3 | | THIS DRAWING CONTAINS INFORMATION THAT IS PROPRIETARY TO MOLEX INCORPORATED AND SHOULD NOT BE USED WITHOUT WRITTEN PERMISSION | | | | |



RECOMMEND PCB LAYOUT(CONNECTOR SIDE)
THICKNESS=1.30(ALL TOLERANCE: +/-0.05)



| | | | | | | | | | | | |
|---------|--------------|------------|----------------------|--|-----------------|----------------------|-------------------------------|---|--------------------|------------------------|--|
| REVISED | EC NO: | 2007/04/30 | QUALITY SYMBOLS | GENERAL TOLERANCES (UNLESS SPECIFIED) | | DIMENSION STYLE | | SCALE | DESIGN UNITS | THIRD ANGLE PROJECTION | |
| | DRWNG:GLLI | 2007/05/04 | | mm INCH | | MM ONLY | | 1:1 | METRIC | DRAWN BY DATE | |
| | CHKD: | 2007/05/04 | | 4 PLACES ± --- ± --- | DIXON LI | 2006/11/17 | TITLE | | | | |
| | APPR: JNCHEN | 2007/05/09 | | 3 PLACES ± --- ± --- | CHECKED BY DATE | | EXTERNAL SATA PLUG WITH SHELL | | | | |
| | | | 2 PLACES ± 0.2 ± --- | APPROVED BY DATE | | DIP MOUNT TYPE | | | | | |
| | | | 1 PLACE ± 0.25 ± --- | ANGULAR ± 3 ° | | GRATE MA | | 2006/11/17 | MOLEX INCORPORATED | | |
| | | | | DRAFT WHERE APPLICABLE MUST REMAIN WITHIN DIMENSIONS | | MATERIAL NO. | | DOCUMENT NO. | | SHEET NO. | |
| | | | | | | SEE TABLE IN SHEET 3 | | SD-47392-100 | | 2 OF 3 | |
| | | | | | | SIZE | | THIS DRAWING CONTAINS INFORMATION THAT IS PROPRIETARY TO MOLEX INCORPORATED AND SHOULD NOT BE USED WITHOUT WRITTEN PERMISSION | | | |

| | 10 | 9 | 8 | 7 | 6 | 5 | 4 | 3 | 2 | 1 | | | | | | |
|---|----------------|---------------|--------------------------|----------------------------------|--|---|------------------|---------------|--------------------------|----------------------------------|---|-----------|-----------|------------|------------------|--|
| F | 473920205 | ORANGE | 0.76 MICRONS MIN | PA46(ONLY USE FOR WAVE SOLDER) | TWO POSTS ARE STAGGER AND DIAMETERS ARE DIFERRENT (DETAILS REFER TO SHEET 1) | | 473921205 | ORANGE | 0.76 MICRONS MIN | PA46(ONLY USE FOR WAVE SOLDER) | TWO POSTS ARE IN LINE AND DIAMETERS ARE SAME (DETAILS REFER TO SHEET 2) | | | | | |
| | 473920204 | RED | | | | | 473921204 | RED | | | | | | | | |
| | 473920203 | BLUE | | | | | 473921203 | BLUE | | | | | | | | |
| | 473920202 | NATURE | | | | | 473921202 | NATURE | | | | | | | | |
| | 473920201 | BLACK | | | | | 473921201 | BLACK | | | | | | | | |
| | E | 473920105 | ORANGE | | | | 0.38 MICRONS MIN | GOLD FLASH | | | | | 473921105 | ORANGE | 0.38 MICRONS MIN | |
| | | 473920104 | RED | | | | | | | | | | 473921104 | RED | | |
| | | 473920103 | BLUE | | | | | | | | | | 473921103 | BLUE | | |
| | | 473920102 | NATURE | | | | | | | | | | 473921102 | NATURE | | |
| | | 473920101 | BLACK | | | | | | | | | | 473921101 | BLACK | | |
| D | 473920005 | ORANGE | 0.76 MICRONS MIN | PA6T(USE FOR IR AND WAVE SOLDER) | | | 473921005 | ORANGE | 0.76 MICRONS MIN | | | | | | | |
| | 473920004 | RED | | | | | 473921004 | RED | | | | | | | | |
| | 473920003 | BLUE | | | | | 473921003 | BLUE | | | | | | | | |
| | 473920002 | NATURE | | | | | 473921002 | NATURE | | | | | | | | |
| | 473920001 | BLACK | | | | | 473921001 | BLACK | | | | | | | | |
| C | 473920305 | ORANGE | 0.38 MICRONS MIN | GOLD FLASH | | | 473921305 | ORANGE | 0.38 MICRONS MIN | PA6T(USE FOR IR AND WAVE SOLDER) | | | | | | |
| | 473920304 | RED | | | | | 473921304 | RED | | | | | | | | |
| | 473920303 | BLUE | | | | | 473921303 | BLUE | | | | | | | | |
| | 473920302 | NATURE | | | | | 473921302 | NATURE | | | | | | | | |
| | 473920301 | BLACK | | | | | 473921301 | BLACK | | | | | | | | |
| | B | 473920405 | ORANGE | | | | GOLD FLASH | | | | | 473921405 | ORANGE | GOLD FLASH | | |
| | | 473920404 | RED | | | | | | | | | 473921404 | RED | | | |
| | | 473920403 | BLUE | | | | | | | | | 473921403 | BLUE | | | |
| | | 473920402 | NATURE | | | | | | | | | 473921402 | NATURE | | | |
| | | 473920401 | BLACK | | | | | | | | | 473921401 | BLACK | | | |
| A | 473920505 | ORANGE | TERMINAL CONTACT PLATING | HOUSING MATERIAL | REMARK | | 473921505 | ORANGE | TERMINAL CONTACT PLATING | HOUSING MATERIAL | REMARK | | | | | |
| | 473920504 | RED | | | | | 473921504 | RED | | | | | | | | |
| | 473920503 | BLUE | | | | | 473921503 | BLUE | | | | | | | | |
| | 473920502 | NATURE | | | | | 473921502 | NATURE | | | | | | | | |
| | 473920501 | BLACK | | | | | 473921501 | BLACK | | | | | | | | |
| | MATERIAL MUBER | HOUSING COLOR | TERMINAL CONTACT PLATING | HOUSING MATERIAL | REMARK | | MATERIAL NUMBER | HOUSING COLOR | TERMINAL CONTACT PLATING | HOUSING MATERIAL | REMARK | | | | | |

B

| | | | | | | | | | | |
|----------------------|----------------------|-----------------------|-----------------|--|----------------------|---------------------|-------|---|------------------------|--------|
| REVISED | EC NO: SH2007-0788 | 2007/04/30 | QUALITY SYMBOLS | GENERAL TOLERANCES (UNLESS SPECIFIED) | DIMENSION STYLE | | SCALE | DESIGN UNITS METRIC | THIRD ANGLE PROJECTION | |
| | DRWN:GLLI | 2007/05/04 | | | MM ONLY | DRAWN BY DATE | | | | TITLE |
| | CHKD:JTIAN | 2007/05/09 | | | 4 PLACES ± --- ± --- | DIXON LI 2006/11/17 | | | | |
| | APPR: JNCHEN | 2007/05/09 | | | 3 PLACES ± --- ± --- | CHECKED BY DATE | | | | |
| | 3 PLACES ± --- ± --- | JENNY ZENG 2006/11/17 | | | | | | | | |
| 2 PLACES ± 0.2 ± --- | APPROVED BY DATE | | | | | | | | | |
| 1 PLACE ± 0.25 ± --- | GRATE MA 2006/11/17 | ANGULAR ± 3 ° | MATERIAL NO. | DOCUMENT NO. | SHEET NO. | | | | | |
| D | | | | DRAFT WHERE APPLICABLE MUST REMAIN WITHIN DIMENSIONS | SEE TABLE | | | MOLEX INCORPORATED | SD-47392-100 | 3 OF 3 |
| | | | | | | | | THIS DRAWING CONTAINS INFORMATION THAT IS PROPRIETARY TO MOLEX INCORPORATED AND SHOULD NOT BE USED WITHOUT WRITTEN PERMISSION | | |