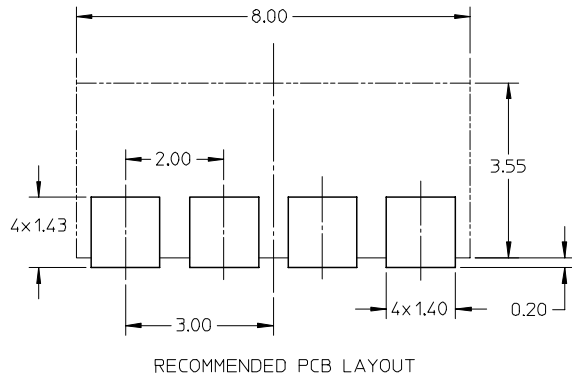
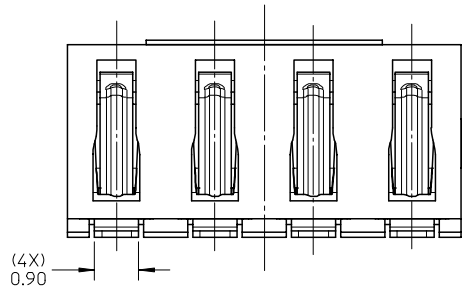
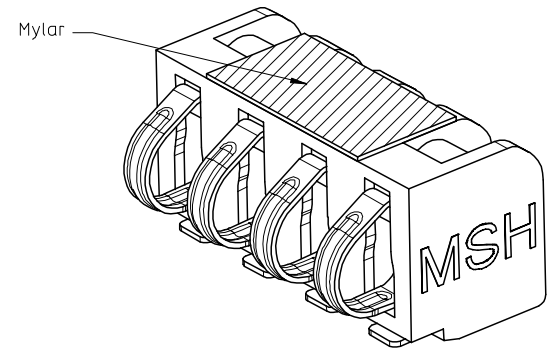


SECTION Z-Z



NOTE:

- MATERIAL:  
HOUSING: LCP, 30% GLASS-FILLED, UL 94V-0. COLOR IS BLACK  
TERMINAL: COPPER ALLOY, 0.12 MM BeCu
- FINISH:  
CONTACT AREA: 30-50 MICRO INCHES GOLD PLATING OVER 50-140 MICRO INCHES NICKEL  
SOLDER AREA: 3 MICRO MIN GOLD FLASH OVER 50-140 MICRO INCHES NICKEL  
REST AREA: 50-140 MICRO INCHES NICKEL
- RECOMMENDED WORKING RANGE 1.05 ~ 0.55 MM.
- COPLANARITY: 0.1 MAX AMONG THESE SOLDER TAILS.
- PRODUCT SPECIFICATION: PS-47531-001

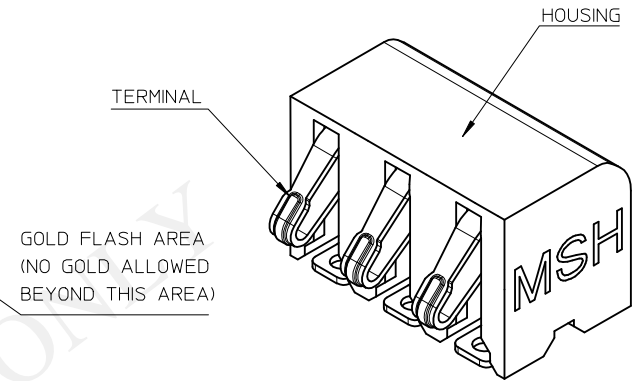
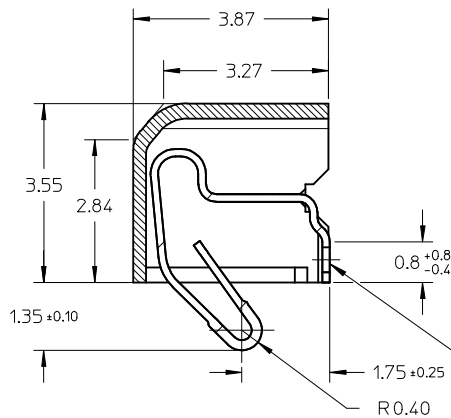
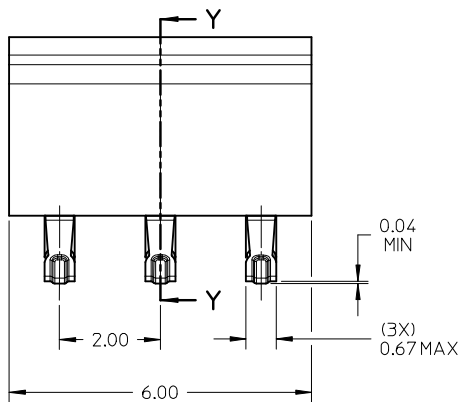
475310011	4 PIN BATTERY CONNECTOR WITHOUT MYLAR
475310001	4 PIN BATTERY CONNECTOR WITH MYLAR
PART NUMBER	DESCRIPTION
DIMENSION STYLE MM ONLY	SCALE 10:1
DRAWN BY YLZHU02	DATE 2007/01/30
CHECKED BY XIXU	DATE 2007/01/31
APPROVED BY JNCHEN	DATE 2007/01/31
MATERIAL NO.	DOCUMENT NO. SD-47531-001
SIZE A3	SHEET NO. 1 OF 1

NEW PRODUCT EC NO: SH2007-0529 DRWN: YLZHU02 2007/02/06 CHKD: XUXIANG 2007/02/06 APPR: JNCHEN 2007/02/15	QUALITY SYMBOLS	GENERAL TOLERANCES (UNLESS SPECIFIED)
	DESCRIPTION	
REV	DESCRIPTION	

PLACES	mm	INCH
4 PLACES	± ---	± ---
3 PLACES	± ---	± ---
2 PLACES	± 0.15	± ---
1 PLACE	± 0.25	± ---
ANGULAR ± 5 °		

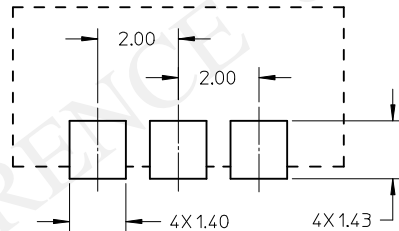
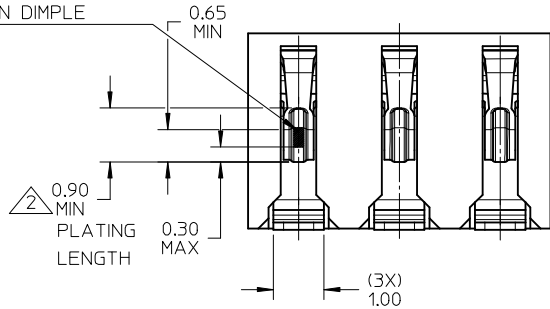
▽=0  
∇=0

DRAFT WHERE APPLICABLE MUST REMAIN WITHIN DIMENSIONS



SECTION Y-Y

CONTACT AREA ON DIMPLE



SCALE 8:1  
RECOMMENDED PCB LAYOUT  
(DEFAULT TOLERANCE: ±0.05)

NOTES :

1. MATERIAL :

HOUSING: LCP, 30% GLASS FILLED, UL94V-0, COLOR: BLACK  
TERMINAL: COPPER ALLOY, 0.15 BECU C17200 290 TM06

2. FINISH :

CONTACT AREA ON DIMPLE : 30 MICRO INCHES MIN GOLD PLATING OVER 50 MICRO INCHES MIN NICKEL.

GOLD FLASH ON PLATING LENGTH  
SOLDER AREA : GOLD FLASH OVER 50 MICRO MIN INCHES NICKEL  
REST AREA :50 MICRO INCHES MIN NICKEL

3. RECOMMENED WORKING RANGE 1.05~0.55 MM.

4. COPLANARITY : 0.08MAX AMONG THESE SOLDER TAILS.

5. PRODUCT SPECIFICATION : PS-47615-001.

<b>PROPOSED</b> EC NO: SH2013-0331 DRWN:RL109 2012/02/01 CHKD: APPR:RL109 2013/04/10	QUALITY SYMBOLS $F_A=0$ $F_G=0$ $F_P=0$	GENERAL TOLERANCES (UNLESS SPECIFIED)		DIMENSION STYLE <b>MM ONLY</b>		SCALE <b>10:1</b>	DESIGN UNITS <b>METRIC</b>	THIRD ANGLE PROJECTION		
		mm	INCH	DRAWN BY	DATE	TITLE				
		4 PLACES ± ---	± ---	RL109	2012/02/01	3 CKTS BATTERY CONNECTOR				
		3 PLACES ± ---	± ---	CHECKED BY		DATE		MOLEX INCORPORATED DOCUMENT NO. SD-47615-020 SHEET NO. 1 OF 1		
2 PLACES ± 0.25	± ---	APPROVED BY		DATE		THIS DRAWING CONTAINS INFORMATION THAT IS PROPRIETARY TO MOLEX INCORPORATED AND SHOULD NOT BE USED WITHOUT WRITTEN PERMISSION				
1 PLACE ± 0.25	± ---	RL109		2013/04/10						
DRAFT WHERE APPLICABLE MUST REMAIN WITHIN DIMENSIONS		ANGULAR ± 3 °		MATERIAL NO. <b>476150020</b>						

