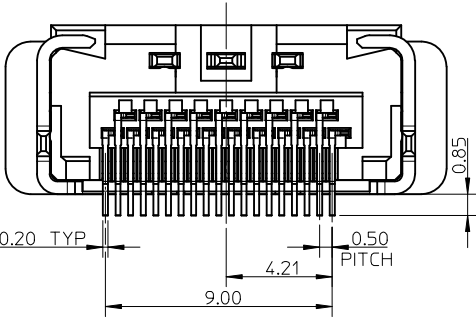
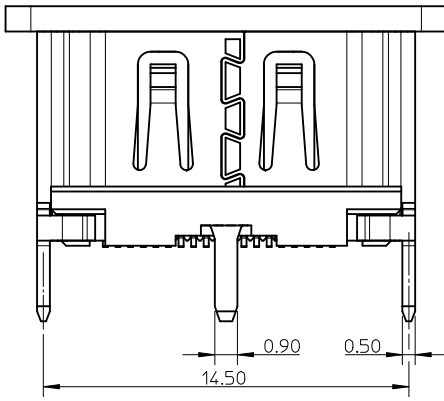
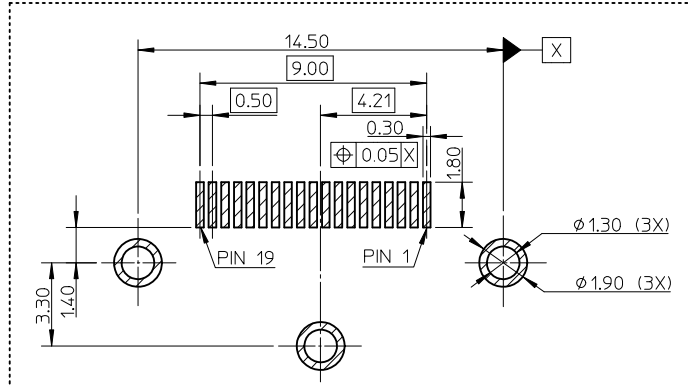
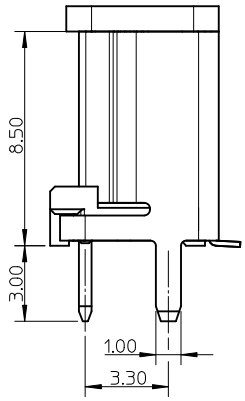
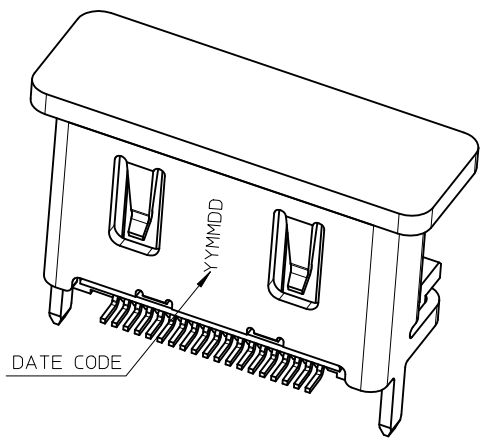


TOP VIEW WITHOUT CAP



- NOTES:
- MATERIAL:
 - HOUSING: HIGH TEMPERATURE THERMAL PLASTIC, COLOR: BLACK;
 - SHELL: COPPER ALLOY;
 - TERMINAL: COPPER ALLOY.
 - PLATING:
 - TERMINAL:
 - CONTACT AREA: SEE TABLE;
 - SOLDER AREA: 1 MICROMETER MIN. TIN-BISMUTH ALLOY PLATED;
 - UNDER PLATE: 1.27 MICROMETER MIN. NICKEL.
 - SHELL: 1 MICROMETER MIN. SOLDERABLE NICKEL PLATING OVERALL.
 - COPLANARITY: 0.10mm MAX.
 - PRODUCT SPECIFICATION REFER TO PS-47152-001, TBA FOR PD/NI OPTION.
 - PACKAGE SPECIFICATION REFER TO PK-47659-001.
 - PRODUCT COMPLIANT TO RoHS DIRECTIVE 2002/95/EC AND ELV DIRECTIVE 2000/53/EC.



RECOMMENDED PCB LAYOUT
CONNECTOR SIDE
THICKNESS=1.60mm
(GENERAL TOLERANCE: ±0.05)

47659-1003	0.05 MICROMETER MIN. GOLD PLATING OVER 0.70 MICROMETER MIN. PD/NI PLATING
47659-1002	GOLD FLASH
47659-1001	0.38 MICROMETER MIN GOLD PLATING
47659-1000	0.76 MICROMETER MIN GOLD PLATING
P/N	CONTACT AREA PLATING

ADD NEW P/N EC NO: S2012-0578 DRWN: ZENG 2012/01/31 CHKD: JESSIECHUA 2012/03/15 APPR: NAQESHKIN 2012/03/19	QUALITY SYMBOLS ▽=0 ◻=0	GENERAL TOLERANCES (UNLESS SPECIFIED)		DIMENSION STYLE MM ONLY		SCALE 5:1	DESIGN UNITS METRIC	THIRD ANGLE PROJECTION		
			mm	INCH	DRAWN BY	DATE	TITLE			
		4 PLACES	± ---	± ---	CWTANG	2008/09/03	HDMI RECEPTACLE VERTICAL SMT TYPE WITH HEIGHT 8.5			
		3 PLACES	± ---	± ---	CHECKED BY	DATE	MOLEX INCORPORATED DOCUMENT NO. SD-47659-100 SHEET NO. 1 OF 1			
2 PLACES	± 0.20	± ---	XJSONG	2008/09/03						
1 PLACE	± 0.30	± ---	APPROVED BY	DATE	THIS DRAWING CONTAINS INFORMATION THAT IS PROPRIETARY TO MOLEX INCORPORATED AND SHOULD NOT BE USED WITHOUT WRITTEN PERMISSION					
ANGULAR ± 1/2°			HARVEY	2008/09/03						
DRAFT WHERE APPLICABLE MUST REMAIN WITHIN DIMENSIONS		SEE TABLE								