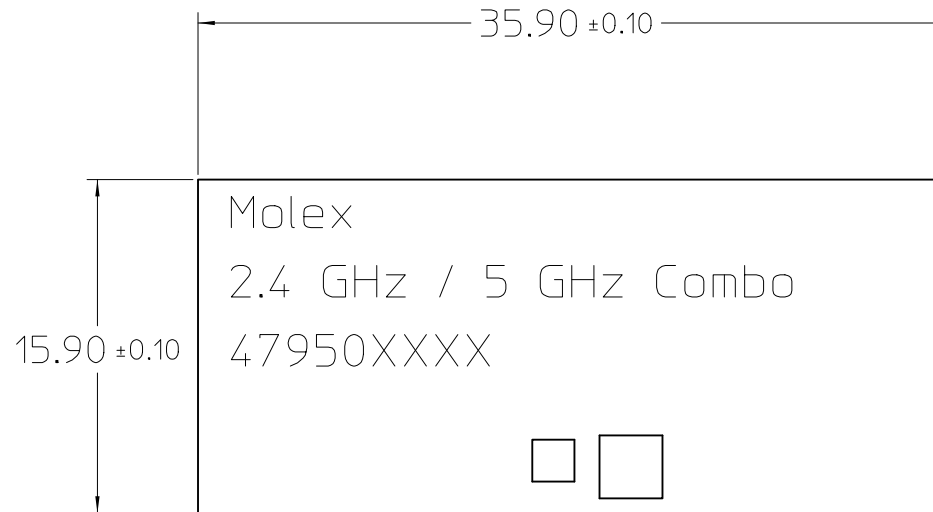
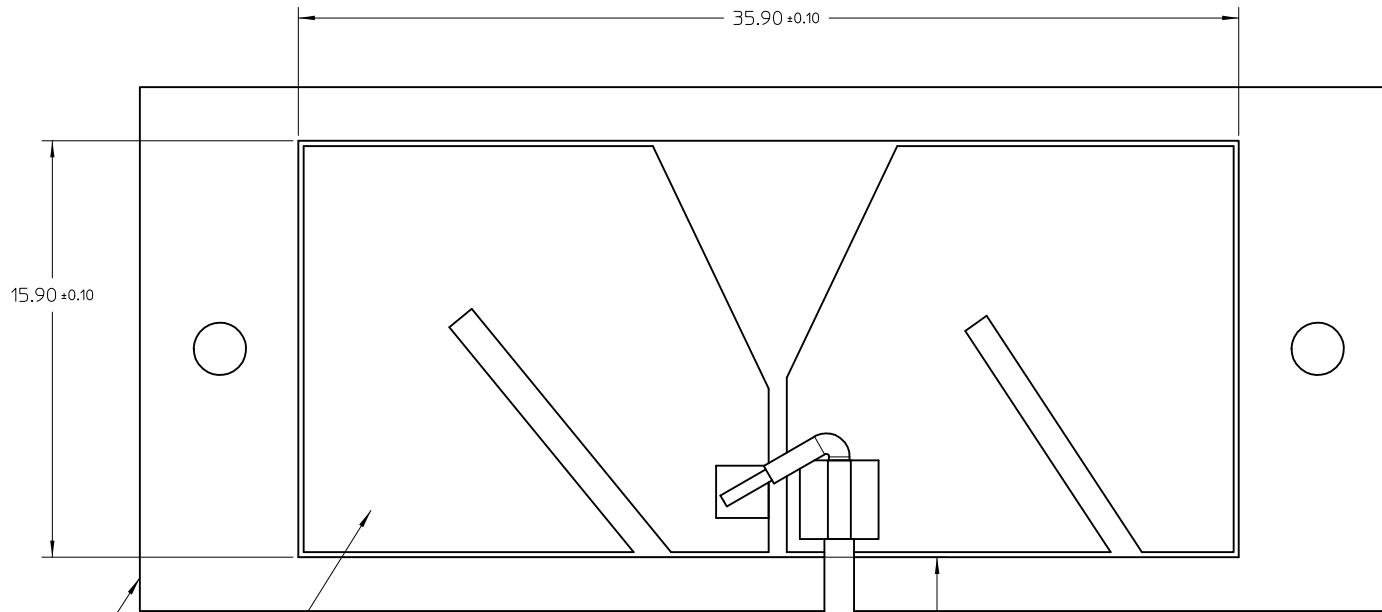


Molex				Customer: Bostom				DRAWING LOCATION	CHANGE DESCRIPTION	AFFECTED DEPT
DRAWING NO.	REV.	ECN NO.	DATE	P/N	P/N.	3D REV	2D REV	ALL	Optimize Dims for SD drawings	AQP/ME/RF/PE/POP
SD-47950-011	C	ABU2012-0079	2013/05/27	479500011	-	-	-			

NOTE:
 1.Material: FLEX 35.9mm * 15.9mm
 Thickness:
 PSA: 3M966
 Pl: 50um
 Base Copper: 18~20um
 2.COVER COAT: BLACK.



ENTER DESCRIPTION EC NO:ABU2012-0079 DRWN: CHKD: APPR:	QUALITY SYMBOLS	GENERAL TOLERANCES (UNLESS SPECIFIED)		DIMENSION STYLE		SCALE 4:1	DESIGN UNITS MM	THIRD ANGLE PROJECTION	
	▽F=0	4 PLACES	mm	INCH	DRAWN BY Jack Shi	DATE 2013-05-27	TITLE 2.4/5GHz stand alone Ant		
	▽E=0	3 PLACES	±	±	CHECKED BY Cooper Zhou	DATE 2013-05-27			
	▽P=0	2 PLACES	±	±	APPROVED BY Kennedy Tay	DATE 2013-05-27	MOLEX INCORPORATED		
ANGULAR ± °	1 PLACE	±	±	MATERIAL NO. 479500011	DOCUMENT NO. SD-47950-011	SHEET NO. 1 OF 2			
C	REV	DRAFT WHERE APPLICABLE MUST REMAIN WITHIN DIMENSIONS		SIZE A3	THIS DRAWING CONTAINS INFORMATION THAT IS PROPRIETARY TO MOLEX INCORPORATED AND SHOULD NOT BE USED WITHOUT WRITTEN PERMISSION				



NOTE:
 1.THE DIMENSION WITH TOLERANCE IN BOX SHOULD BE CONTROLLED BY FLEX SUPPLIER AND TOLERANCE OF OTHER DIMENSIONS:±0.3MM.
 2.The cable line can not be rotated with the weld point for more than 60 degrees.

ITEM	CABLE TYPE	THE LENGH OF "L"
1	CABLE(200MM)	190.88MM
2	CABLE(150MM)	140.88MM
3	CABLE(100MM)	90.88MM

1. CABLE2 for 2,4/5GHz stand alone16mm

ITEM	PART NAME	PN
1	CABLE2 for 2,4/5GHz stand alone 200mm	479500005
	CABLE2 for 2,4/5GHz stand alone 150mm	479500004
	CABLE2 for 2,4/5GHz stand alone 100mm	479500003
2	FLEX2 for 2,4/5GHz stand 16mm (CABLE100MM)	479500012
	FLEX2 for 2,4/5GHz stand 16mm (CABLE150MM)	479500812
	FLEX2 for 2,4/5GHz stand 16mm (CABLE200MM)	479500912
3	2,4/5GHz stand alone 16mm assy(CABLE100MM)	479500011
	2,4/5GHz stand alone 16mm assy(CABLE150MM)	479501011
	2,4/5GHz stand alone 16mm assy(CABLE200MM)	479502011

ENTER DESCRIPTION EC NO:ABU2012-0079 DRWN: CHKD: APPR: C	DESCRIPTION REV	QUALITY SYMBOLS	GENERAL TOLERANCES (UNLESS SPECIFIED)	DIMENSION STYLE	SCALE 5:1	DESIGN UNITS MM	THIRD ANGLE PROJECTION
		$F/0$ $E/0$ $F/0$	mm INCH 4 PLACES ± ± 3 PLACES ± ± 2 PLACES ± ± 1 PLACE ± ± ANGULAR ± °	DRAWN BY DATE Jack Shi 2013-05-27	TITLE		
		DRAFT WHERE APPLICABLE MUST REMAIN WITHIN DIMENSIONS	MATERIAL NO. 479500011	MOLEX INCORPORATED DOCUMENT NO. SD-47950-011	SHEET NO. 2 OF 2		
		THIS DRAWING CONTAINS INFORMATION THAT IS PROPRIETARY TO MOLEX INCORPORATED AND SHOULD NOT BE USED WITHOUT WRITTEN PERMISSION					