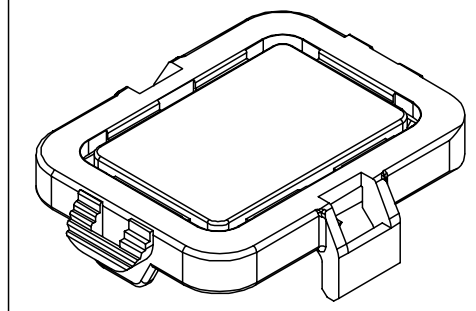
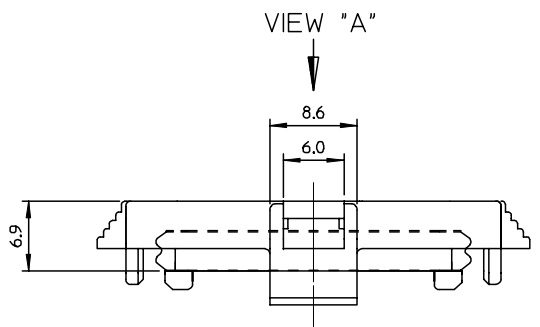
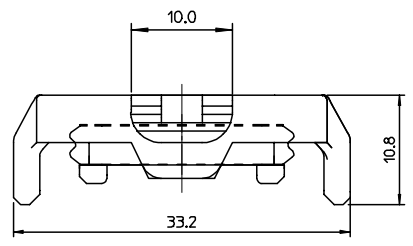
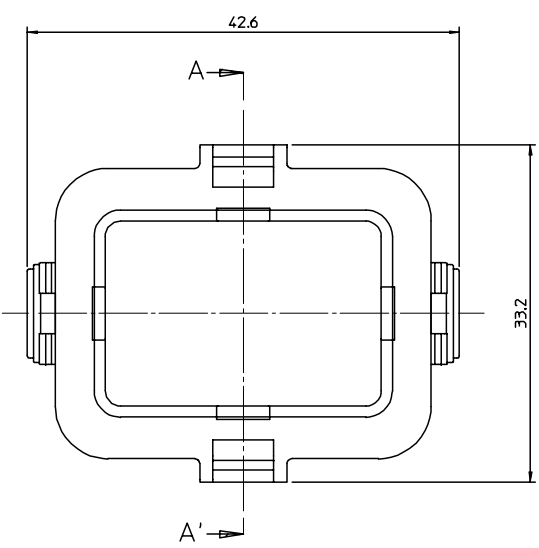


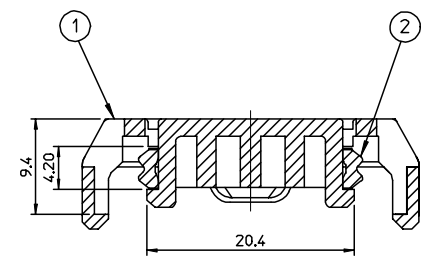
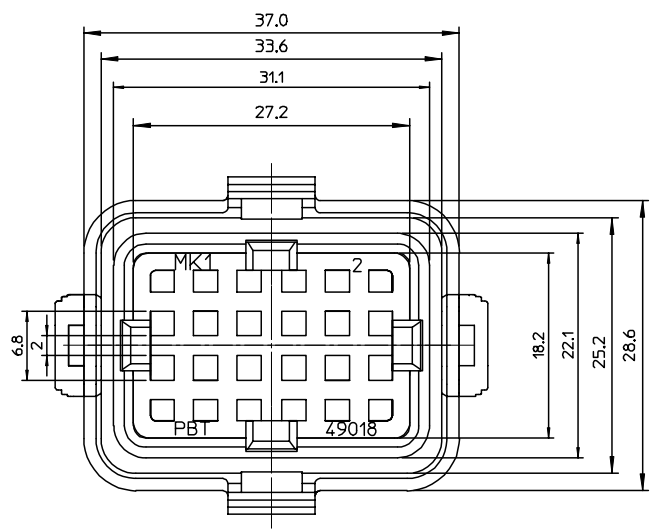
DWG. NO. SD-49018-002
 SIMILAR ITEM
 PROJECT NO.
 DO NOT SCALE DRAWING
 DIMENSION IN METRIC



ISO VIEW



VIEW "A"



Section A-A'

<NOTE>
 1.MATERIAL : POLYESTER(PBT), UL94HB
 COLOR : BLACK
 2. ASS'Y PART NO.(WITH SEAL) : 49018-0121

2	SEAL	35903-0117	SILICONE, BLUE
1	CMC CAP	49018-0191	POLYESTER, BLACK
NO.	DESCRIPTION	ENG. NO.	MATERIAL

490180121	49018-0121
MATERIAL NO.	ENG. NO.
RELEASE	SYMBOLS
ECN NO. KOR2004-0038	MAJOR
DRWNS.MKIM 03/08/30	CRITICAL
CHK.B.C.YOON 03/08/30	
APPR.C.W.LEE 03/08/30	
DESCRIPTION	REV
A	

GENERAL TOLERANCES: (UNLESS SPECIFIED)		SCALE 2:1	DESIGN UNITS <input checked="" type="checkbox"/> mm <input type="checkbox"/> INCH	THIRD ANGLE PROJECTION	SHT	REV
4 PLACES	±0.	mm	INCH	<input type="checkbox"/> mm <input checked="" type="checkbox"/> INCH		
3 PLACES	±0.	mm	INCH	<input type="checkbox"/> mm <input checked="" type="checkbox"/> INCH		
2 PLACES	±0.2	mm	INCH	<input type="checkbox"/> mm <input checked="" type="checkbox"/> INCH		
1 PLACE	±0.3	mm	INCH	<input type="checkbox"/> mm <input checked="" type="checkbox"/> INCH		
ANGULAR: ± 1 °		DRAWN BY & DATE S.M.KIM 03/04/16		TITLE: CMC 112P HEADER 32P CAP ASS'Y(W/P)		
DRAFT WHERE APPLICABLE MUST REMAIN WITHIN DIMENSIONS		CHECKED BY & DATE H.C.RHO 03/04/16		MOLEX INCORPORATED		
APPROVED BY & DATE C.W.LEE 03/04/16		CAD FILENAME SD49018A.MI		MATERIAL NO. SEE TABLE		SHEET NO. 10F1
THIS DRAWING CONTAINS INFORMATION THAT IS PROPRIETARY TO MOLEX INCORPORATED AND SHOULD NOT BE USED WITHOUT WRITTEN PERMISSION.						SIZE B