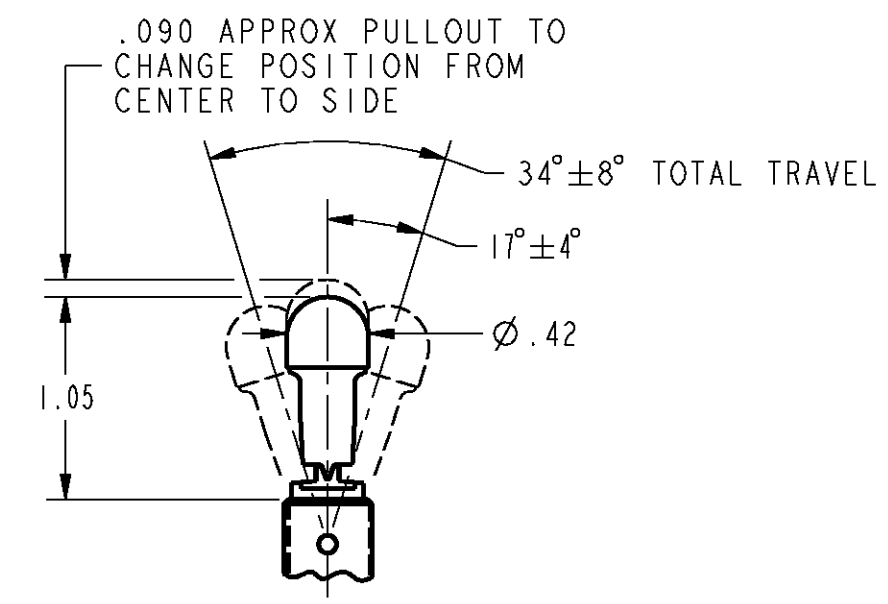
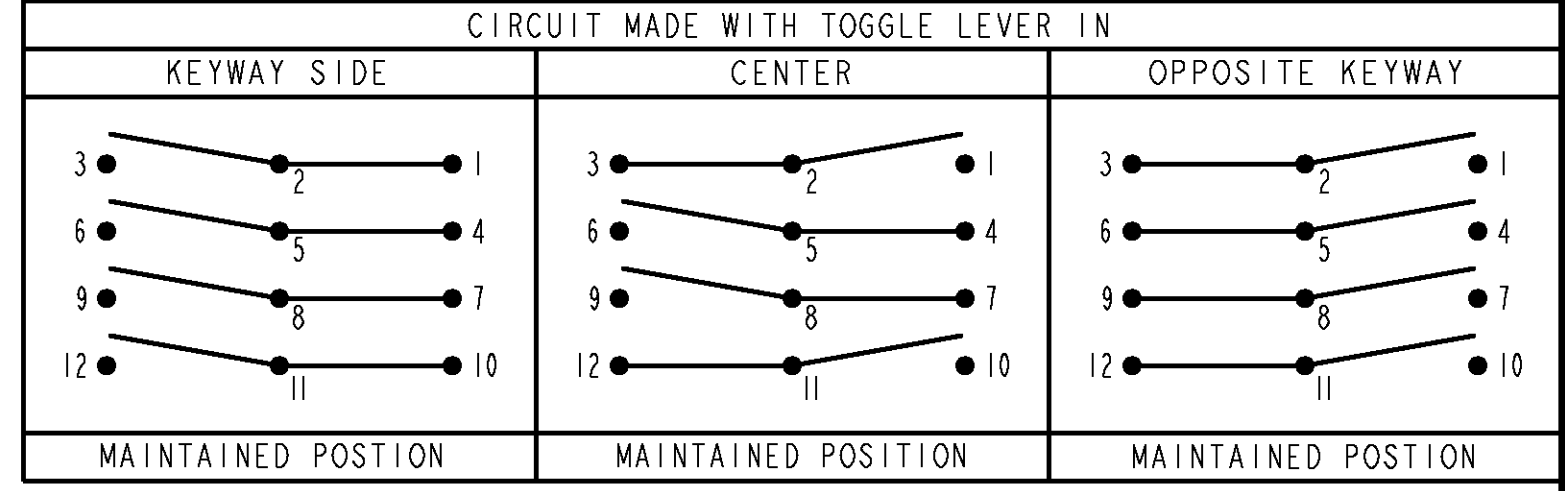
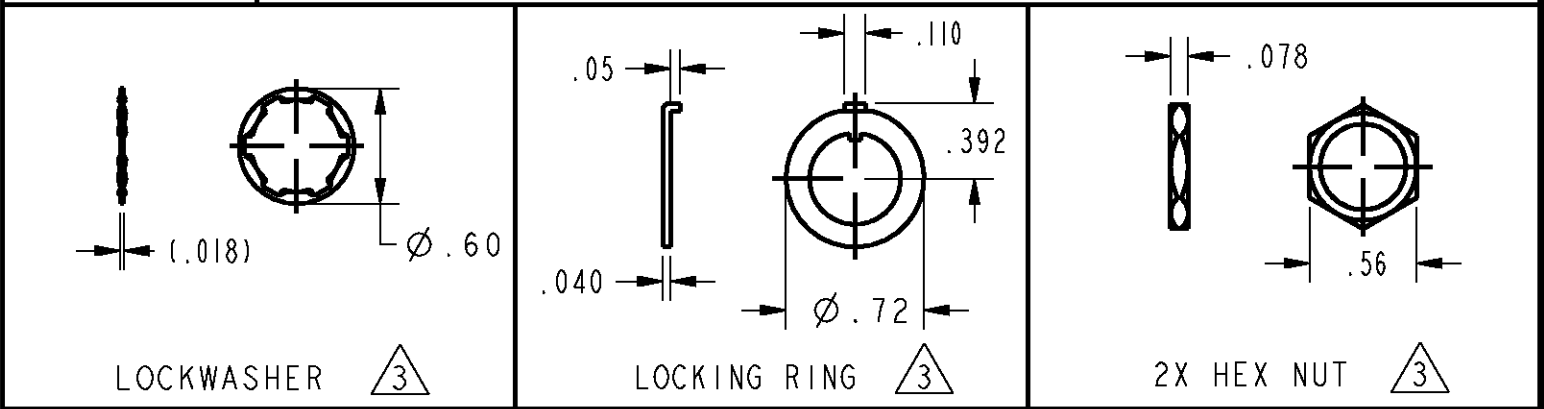


L191 15A 125, 250, 277 VAC 1/2HP 125 VAC 1HP 250, 277 VAC 5A 125 VAC "L" CE RL	CATALOG LISTING	AVAILABLE LOCKING COMBINATIONS FOR CONFIGURATION SEE LETTERED DETAILS	STYLE NUMBER	CURRENT CAPACITY (AMPS)								
				RESISTIVE LOAD				LAMP LOAD		INDUCTIVE LOAD		
				DC VOLTS	AC VOLTS			28 VDC	125 VAC	28 VDC	125 VAC	
	28	125	250	125	250	6	5	4	12	15		
	4TL887-12	NONE	1	20	.75	.5	15	6	5	4	12	15
	4TL887-12 / 6	A, B, E, L, M, P, D, F, G, H, J, K, N	2									

"A" 5 LOCKED IN THREE POSITIONS	"B" 5 LOCKED IN CENTER AND EXTREME POS. (KEYWAY SIDE)	"D" 5 LOCKED OUT OF CENTER POSITION	"E" 5 LOCKED IN CENTER POSITION	"F" 5 LOCKED IN EXTREME POS. (OPP. KEYWAY)	"G" 5 LOCKED IN EXTREME POS. (KEYWAY SIDE)
"H" 5 LOCKED OUT OF CENTER AND EXTREME POS. (KEYWAY SIDE)	"J" 5 LOCKED OUT OF CENTER AND EXTREME POS. (OPP. KEYWAY)	"K" 5 LOCKED IN CENTER AND EXTREME POS. (OPP. KEYWAY)	"L" 5 LOCKED OUT OF EXTREME POS. (KEYWAY SIDE)	"M" 5 LOCKED OUT OF AND INTO EXTREME POS. (OPP. KEYWAY)	"N" 5 LOCKED OUT OF EXTREME POS. (OPP. KEYWAY)
"P" 5 LOCKED OUT OF AND INTO EXTREME POS. (KEYWAY SIDE)					



- NOTES
- SWITCHES ARE CAPABLE OF WITHSTANDING A TEMPERATURE OF 160°F CONTINUOUSLY AT FULL RATED LOAD
 - MICRO SWITCH CATALOG LISTING AND CIRCUIT DESIGNATION MARKED ON SIDE OF SWITCH
 - FURNISHED UNASSEMBLED
 - FOR TERMINAL COVER SEE MICRO SWITCH CATALOG LISTING 5PA9
 - KEYWAY SHOWN ON LEFT SIDE
 - SUFFIX LETTER MUST BE ADDED FOR DESIRED TYPE OF TOGGLE LOCKING. SEE CHART FOR AVAILABLE LOCKING COMBINATIONS
 - GOLDE PLATED CONTACTS

MICRO SWITCH a Honeywell Division FED. MFG. CODE 91929	SWITCH - TOGGLE	CATALOG LISTING 4TL887-12 SERIES CHART 1	THIRD ANGLE PROJECTION
		SCALE FULL DO NOT SCALE PRINT UNLESS OTHERWISE SPECIFIED TOLERANCES ARE ONE PLACE (.0) ±.030 TWO PLACES (.00) ±.015 THREE PLACES (.000) ±.005 ANGLES ± WEIGHT	

P.T.C./CAD 2D
 DRAWN
 S.A.V 24 NOV 99
 CHECK
 JAF 24 NOV 99
 CHECK
 4TL887-12 SERIES CHART 1
 DRAWING NUMBER
 ISSUE 2
 REVISIONS
 A CD-94445
 24 NOV 99
 RELEASE NO. PR-22477
 REPLACES