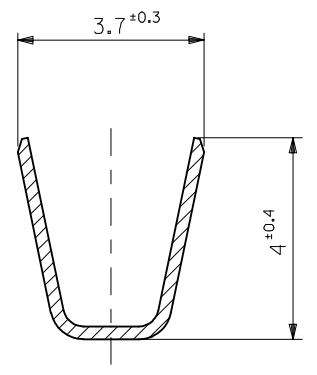
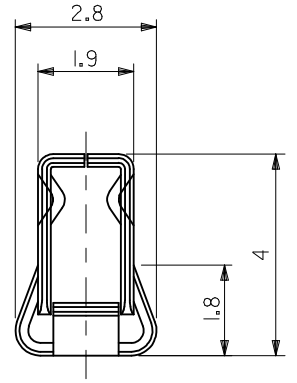


SECT.A-A



SECT.B-B

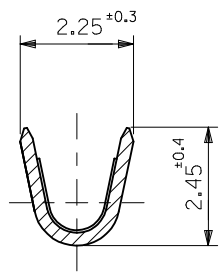
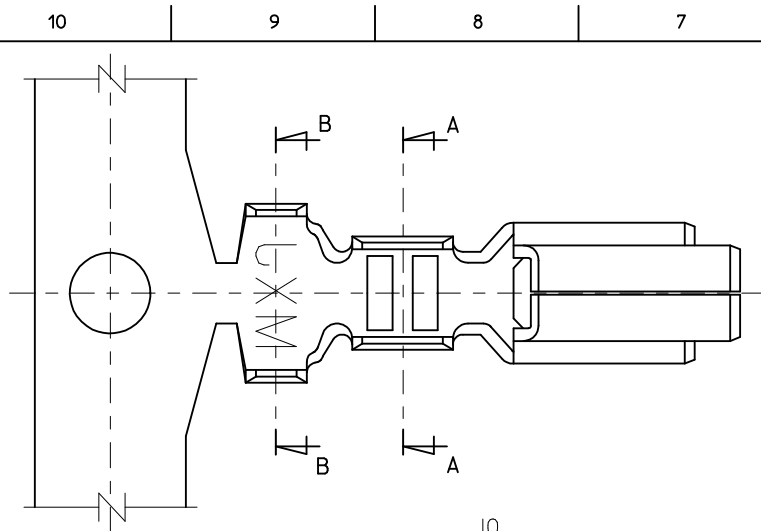


注記 NOTES

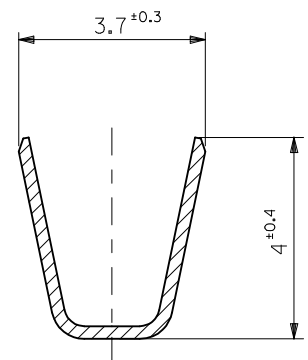
1. 適合ハウジング：51144-***00
 APPLICABLE HOUSING : 51144-***00

リン青銅，錫メッキ PHOS. BRO. PRE-TINNED (t=0.254)	50539-8100	バラ状 LOOSE
	50539-8000	連鎖状 CHAIN
黄銅，錫メッキ BRASS PRE-TINNED (t=0.254)	50539-9001	連鎖状 CHAIN
材 料 MATERIAL	MATERIAL NO.	端子形状 FORM
MODEL NO. 50539-****		

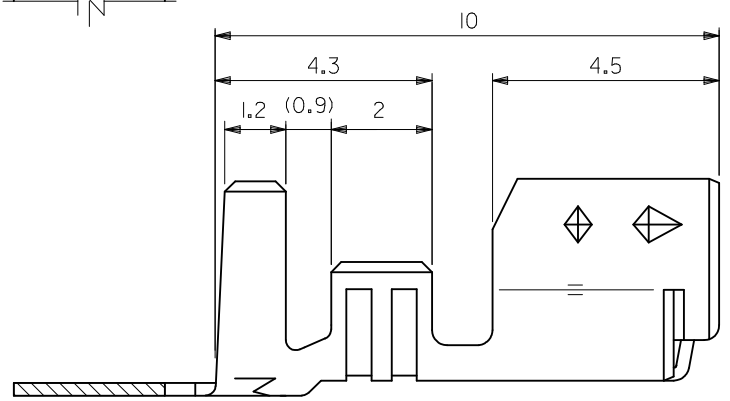
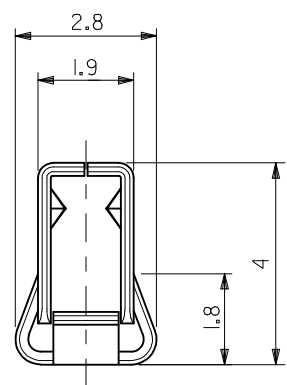
REVISED EC NO: J2009-1311 DRWN: KAKURAA 2008/12/16 CHKD: T. HARUYAMA 2008/12/16 APPR: NUKITA 2009/01/16	GENERAL TOLERANCES (UNLESS SPECIFIED)		DIMENSION STYLE MM ONLY		SCALE ---	DESIGN UNITS METRIC	THIRD ANGLE PROJECTION	
	10 UNDER	± 0.2	DRAWN BY TNIITSU	DATE '94/11/7	TITLE 3.96 WIRE TO BOARD CONN CRIMP RECEPTACLE			
	10 OVER 30 UNDER	± 0.25	CHECKED BY SKUNISHI	DATE '95/07/28	APPROVED BY MFUKUSHIMA '95/07/28			
	30 OVER	± 0.3	MATERIAL NO. SEE TABLE		MOLEX INCORPORATED		DOCUMENT NO. SD-50539-001	SHEET NO. 1 OF 1
	ANGULAR ± 3 ° DRAFT WHERE APPLICABLE MUST REMAIN WITHIN DIMENSIONS		THIS DRAWING CONTAINS INFORMATION THAT IS PROPRIETARY TO MOLEX INCORPORATED AND SHOULD NOT BE USED WITHOUT WRITTEN PERMISSION					



SECT.A-A



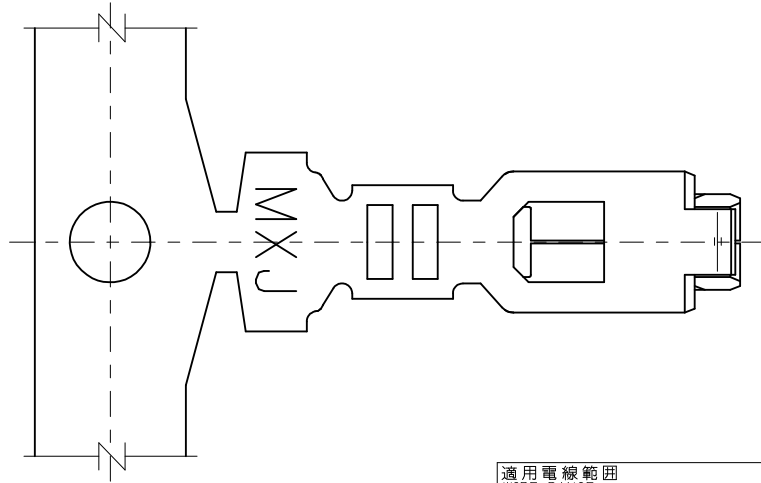
SECT.B-B



注記 NOTES

1. 適合ハウジング : 51129-***00
51144-***00
APPLICABLE HOUSING : 51129-***00
51144-***00

リン青銅, 錫メッキ PHOS. BRO. PRE-TINNED (t=0.254)	50539-8100	バラ状 LOOSE
	50539-8000	連鎖状 CHAIN
黄銅, 錫メッキ BRASS PRE-TINNED (t=0.254)	50539-9001	連鎖状 CHAIN
材 料 MATERIAL	MATERIAL NO.	端子形状 FORM
	MODEL NO.	50539-****



適用電線範囲
WIRE RANGE AWG#18 ~ #24
被覆外径
INS. RANGE φ 1.4 ~ φ 3.0

REVISED EC NO: J2009-1311 DRWN:NAKAMURA 2008/12/16 CHKD:T. HARUYAMA 2008/12/16 APPR:NUKITA 2009/01/16	GENERAL TOLERANCES (UNLESS SPECIFIED)		DIMENSION STYLE MM ONLY	SCALE ---	DESIGN UNITS METRIC	THIRD ANGLE PROJECTION
	10 UNDER	±0.2	DRAWN BY T.NIITSU	DATE '94/11/17	TITLE 3.96 W/B CONN CRIMP REC	
	10 OVER 30 UNDER	±0.25	CHECKED BY K.T	DATE '95/7/28	APPROVED BY S.FUKUSHIMA	
	30 OVER	±0.30	DATE '95/7/28	MATERIAL NO. SEE TABLE		DOCUMENT NO. SD-50539-002
	ANGULAR ±3 °	DRAFT WHERE APPLICABLE MUST REMAIN WITHIN DIMENSIONS	SIZE A3	THIS DRAWING CONTAINS INFORMATION THAT IS PROPRIETARY TO MOLEX INCORPORATED AND SHOULD NOT BE USED WITHOUT WRITTEN PERMISSION		