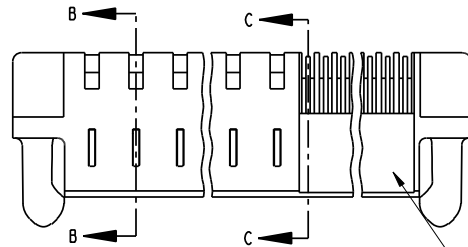


Tous droits strictement réservés. Reproduction ou communication à des tiers interdite, sous quelque forme que ce soit sans autorisation écrite du propriétaire. Propriété de c FCI. Droits de reproduction FCI.

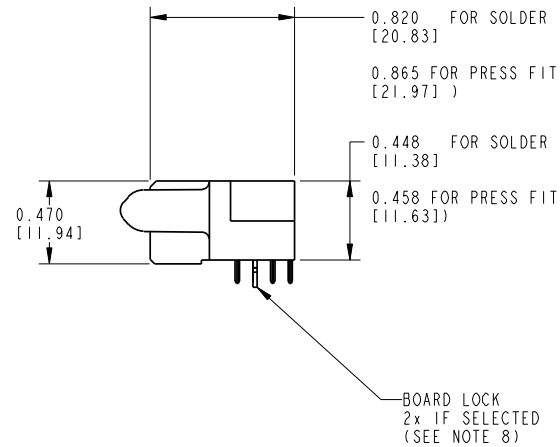
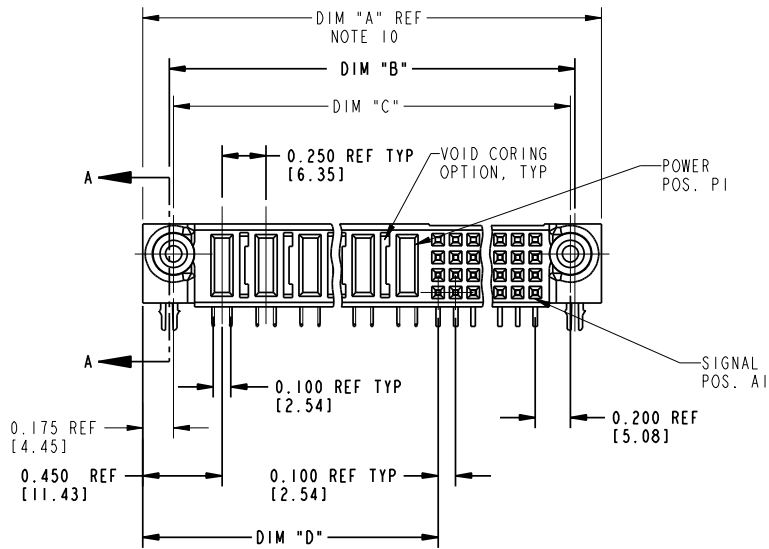


All rights strictly reserved. Reproduction or issue to third parties in any form whatever is not permitted without written authority from the proprietor. Property of FCI. Copyright FCI.

PRODUCT NUMBER  
51761- A00CCDDEF...  
NOTE ①  
SEE NOTE 1



SEE NOTE 9



mat'l code SEE NOTE 2				tolerances unless otherwise specified		CUSTOMER COPY	FCI www.fciconnect.com	
lir	ecn no.	dr	date	linear	.XX±.01/.X±.3	projection	title	
K	D607-0059	RYAN	02/12/07	angles	.XXX±.005/.XX±.13		RIGHT ANGLE RECEPTACLE w/GUIDE PIN SIGNAL / POWER	
L	D607-0061	JULIA	02/14/07	dr	.XXX±.0020/.XXX±.051	INCH / MM scale 1:1	product family	PWRBLADE
M	D608-0239	JC	09/11/08	chr	0°±2°		size	code
N	D609-0128	JW	04/23/09	appr	J. BROWN 05-18-99	A	dwg no	213
P	D611-0074	HZ	03/14/11		J. BROWN 05-18-99		51761	SHEET 1 OF 3
sheet index	revision sheet	P 1	P 2	P 3				

THIS FILE WAS ORIGINALLY CREATED IN THE PRO ENGINEER ENVIRONMENT AND ANY FUTURE REVISIONS TO THIS FILE MUST BE MADE IN THE PRO ENGINEER ENVIRONMENT

form no. 7530-001-103

cage code 22526

Tous droits strictement réservés. Reproduction ou communication à des tiers interdite, sous quelque forme que ce soit sans autorisation écrite du propriétaire. Propriété de c FCI. Droits de reproduction FCI.

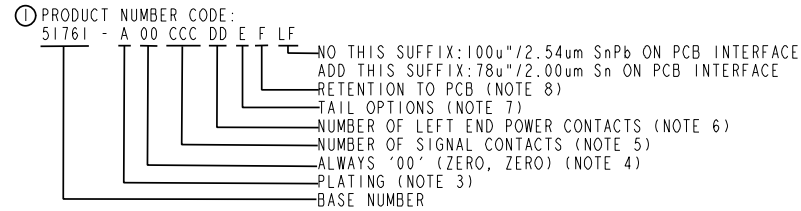


All rights strictly reserved. Reproduction or issue to third parties in any form whatever is not permitted without written authority from the proprietor. Property of FCI. Copyright FCI.

PRODUCT NUMBER
51761-A00CCDDEF-- NOTE ①
SEE NOTE 1

DIM	LENGTH FORMULAS (SEE NOTE 10)
DIM "A"	.250 [6.35] x DD + .100 [2.54] x (CCC/4) + .650 [16.51] (NOTE 10)
DIM "B"	.250 [6.35] x DD + .100 [2.54] x (CCC/4) + .350 [8.89]
DIM "C"	.250 [6.35] x DD + .100 [2.54] x (CCC/4) + .300 [7.62]
DIM "D"	.250 [6.35] x DD + .375 [9.53] $\Delta$
DIM "F"	.250 [6.35] x DD + .100 [2.54] x (CCC/4) + .680 [17.27]
DIM "G"	.250 [6.35] x DD + .225 [5.72]

CONNECTOR NOTES



- ② HOUSING MATERIAL: GLASS FILLED V-O HIGH TEMP THERMO PLASTIC.  
SIGNAL CONTACT MATERIAL: COPPER ALLOY  
POWER CONTACT MATERIAL: COPPER ALLOY
- ③ PLATING OPTION:  
SEE PRINT 10064183 FOR PLATING SPEC OF 51761-100CCDDEF; 51761-100CCDDEFL
- ④ THIS PART IS NOT AVAILABLE WITH RIGHT SIDE POWER CONTACTS.
- ⑤ SIGNAL CONTACTS, 004 TO 148 AVAILABLE FOR SOLDER TO BOARD.  
012 TO 148 AVAILABLE FOR PRESS FIT TO BOARD.
- ⑥ LEFT END POWER CONTACTS, 01 TO 20 AVAILABLE.  
MAXIMUM OF 20 POWER CONTACTS PER CONNECTOR
- ⑦ TAIL OPTIONS:  
A = .135 ±.010 [3.43 ±0.25] SOLDER TO BOARD  
B = .090 +.005 / -.010 [2.29 +0.13 / -.025] SOLDER TO BOARD  
C = .154 ±.010 [3.91 ±0.25] PRESS FIT TO BOARD

- ⑧ RETENTION TO PCB OPTIONS:  
A = BOARD LOCK (REQUIRES .098 +.002/- .001 [2.49 +0.05/-0.03] THRU HOLE IN PCB  
MOUNTING FOOT HEIGHT: .220[5.59]  
B = .150 [3.81] THRU HOLE (REQUIRES .158 ±0.003 [4.01 ±0.08] THRU HOLE IN PCB).  
MOUNTING FOOT HEIGHT .160[4.06]
- ⑨ MANUFACTURE'S NAME, P/N, AND DATE CODE TO APPEAR ON THIS SURFACE.
- 10. THE MAXIMUM OVERALL LENGTH (DIM A) OF A PART IS 8.00 [203.2]
- 11. PRODUCT SPECIFICATION GS-12-149
- 12. APPLICATION SPECIFICATION BUS-20-067.
- 13. FOR PRESS FIT CONNECTORS USE FCI CAM TOOL 430140-XXX TO APPLY CONNECTOR TO IPCB.

PCB NOTES:

- 14. ALL DIMENSIONS ARE BASIC UNLESS OTHERWISE SPECIFIED.
- 15. ALL THROUGH HOLES ARE LOCATED WITH A TRUE POSITION OF .004[0.10]
- 16. ALL HOLE DIAMETERS ARE FINISHED HOLE SIZE.
- 17.  $\varnothing$ 0.0453 +/- .001 [1.151 ±0.02] DRILLED HOLES PLATED WITH 0.0003 [0.007] MIN SnPb OR Sn OVER 0.001 [0.03] TO .003 [0.08] Cu PLATING TO ACHIEVE A .040±.003 [1.02±08] HOLE.
- 18. A  $\Delta$  SYMBOL WILL BE NEXT TO ANY DIMENSION, VIEW, OR NOTE WHICH HAS BEEN MODIFIED WITH THE CURRENT DRAWING REVISION.

mat'l code				tolerances unless otherwise specified		CUSTOMER COPY		FCI www.fciconnect.com	
lir	ecr no.	dr	date	linear	.XX±.01/.X±.3	projection		title	
P					.XXX±.005/.XX±.13			RIGHT ANGLE RECEPTACLE w/GUIDE PIN SIGNAL / POWER	
				angles	.XXX±.0020/.XXX±.051	INCH / MM		product family	PWRBLADE
				dr	0° ± 2°	scale		size	code
				enrg	D.BOGLE 05-18-99	1:1		dwg no	213
				chr	J. BROWN 05-18-99			51761	SHEET 2 OF 3
				appd	J. BROWN 05-18-99				
sheet index	revision sheet								

THIS FILE WAS ORIGINALLY CREATED IN THE PRO ENGINEER ENVIRONMENT AND ANY FUTURE REVISIONS TO THIS FILE MUST BE MADE IN THE PRO ENGINEER ENVIRONMENT

form no. 7530-001-103

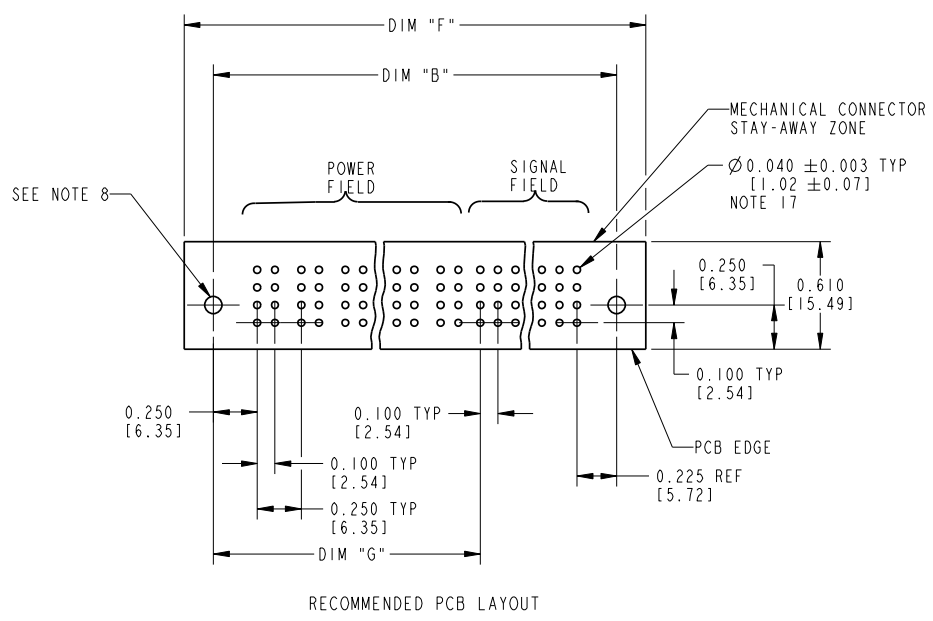
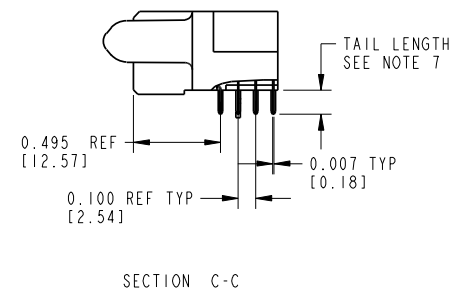
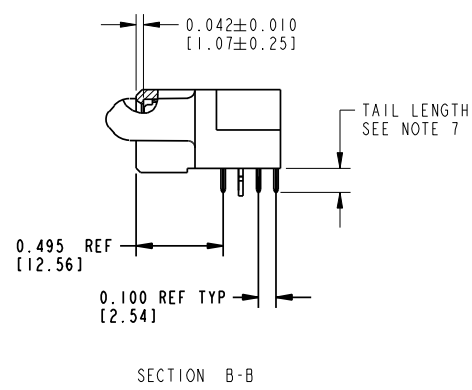
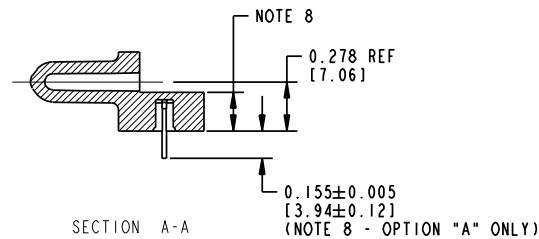
cage code 22526

Tous droits strictement réservés. Reproduction ou communication à des tiers interdite, sous quelque forme que ce soit sans autorisation écrite du propriétaire. Propriété de c FCI. Droits de reproduction FCI.



All rights strictly reserved. Reproduction or issue to third parties in any form whatever is not permitted without written authority from the proprietor. Property of FCI. Copyright FCI.

PRODUCT NUMBER  
51761 - A00CCDDEF --  
NOTE ①



mat'l code				tolerances unless otherwise specified		CUSTOMER COPY		www.fciconnect.com	
lfr	ecr no.	dr	date	linear	.XX±.01/.X±.3	projection		title	
P					.XXX±.005/.XX±.13			RIGHT ANGLE RECEPTACLE w/GUIDE PIN SIGNAL / POWER	
				angles	.XXX±.0020/.XXX±.051	INCH / MM		product family	
				dr	0°±2°	scale		PWRBLADE	
				enr	05-18-99	1:1		code	
				chr	J. BROWN 05-18-99	A		213	
				appd	J. BROWN 05-18-99	size		dwg no	
sheet index		revision sheet				A		51761	
								SHEET 3 OF 3	

form no. 7530-001-103

cage code 22526