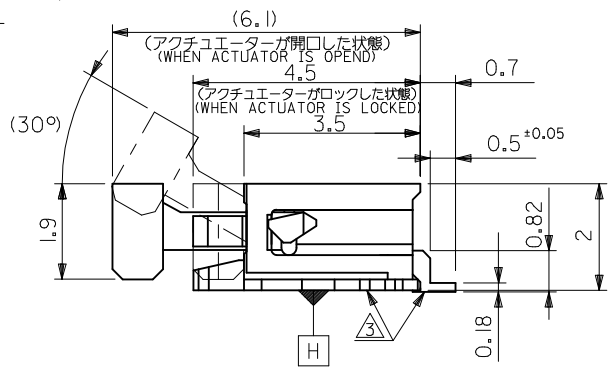


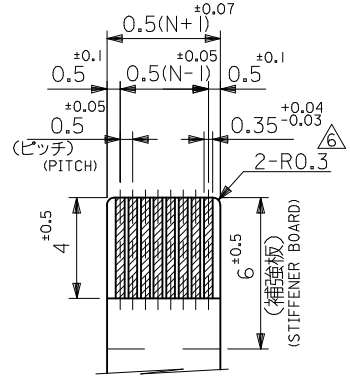
注記 NOTES

1. 使用材料 : MATERIAL
 ハウジング : 46ナイロン, UL94V-0 HOUSING 46NYLON
 アクチュエータ : PPS, UL94V-0 ACTUATOR
 ターミナル : リン青銅, 錫メッキ (t=0.2) TERMINAL PHOS-BRO.TIN-PLATED
 金具 : リン青銅, 錫メッキ (t=0.2) FITTING NAIL PHOS-BRO.TIN-PLATED
2. エンボステープ梱包時は、アクチュエータがロックした状態とする。
 IN THE PACKAGE, ACTUATOR OF PART NO.52437-**27 SHOULD BE LOCKED.
- △ ソルダータール半田付け面のズレ量、及び金具半田付け面のズレ量は、基準面 H に対し上方向 0.1 MAX. , 下方向 0.15MAX.とする。
 MISALIGNMENT OF SOLDER TAILS AND FITTING NAILS FROM H UPPER DIRECTION: 0.1 MAX. , LOWER DIRECTION: 0.15MAX.
- △ 偶数個に適用。
 APPLY FOR EVEN CIRCUIT.
- △ パターンはくり止め用金具。
 FITTING NAIL FOR PREVENTION OF PEELING OF P.C.B. PATTERN.
- △ R.O. 3は、FPCの導体部にかからないこと。
 R.O.3 MUST NOT BE OVERLAPPED TO PATTERN OF FPC.
7. ソルダータールの平坦度は、0.1 MAXIMUMとする。
 SOLDER TAIL COPLANARITY IS 0.1 MAXIMUM.

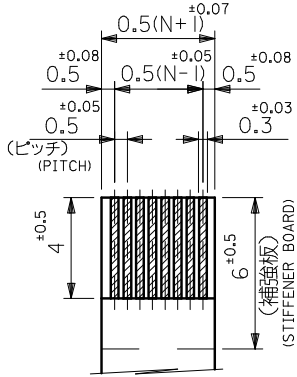


REVISED & REDRAWN EC NO: J2014-0108 DRWN:KNAGUMO 2013/07/16 CHKD:KTAKAHASHI 2013/07/16 APPR:YNOGAWA 2013/08/02	GENERAL TOLERANCES (UNLESS SPECIFIED)		DIMENSION STYLE MM ONLY		SCALE ---	DESIGN UNITS METRIC	THIRD ANGLE PROJECTION
	10 UNDER	±0.2	DRAWN BY	DATE	TITLE		
	10 OVER 30 UNDER	±0.25	CHECKED BY	DATE	0.5 FPC CONN ZIF FOR SMT R/A(BOTTOM CONTACT)		
	30 OVER	±0.3	APPROVED BY	DATE			
	ANGULAR	±3 °	MATERIAL NO.	DOCUMENT NO.			
	DRAFT WHERE APPLICABLE MUST REMAIN WITHIN DIMENSIONS		SEE CHART		SHEET NO. 1 OF 2		
		THIS DRAWING CONTAINS INFORMATION THAT IS PROPRIETARY TO MOLEX INCORPORATED AND SHOULD NOT BE USED WITHOUT WRITTEN PERMISSION					

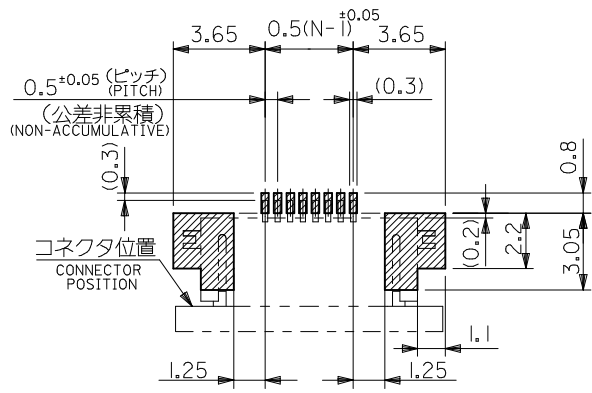




適合FPC推奨寸法
APPLICABLE FPC
RECOMMENDED DIMENSION.
(仕上がり厚さ: 0.3^{±0.05})
(THICKNESS: 0.3^{±0.05})



適合FPC推奨寸法
APPLICABLE FPC
RECOMMENDED DIMENSION.
(仕上がり厚さ: 0.3^{±0.05})
(THICKNESS: 0.3^{±0.05})



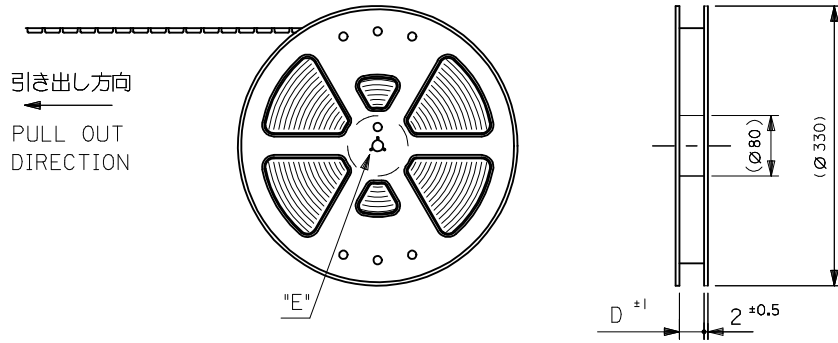
参考基板レイアウト
(マウント面)
RECOMMENDED P.C. BOARD
PATTERN DIMENSION (REF.)
(MOUNTING SIDE)

21.6	19.6	15.65	14.5	52437-3027	30
21.1	19.1	15.15	14.0	-2927	29
20.6	18.6	14.65	13.5	-2827	28
20.1	18.1	14.15	13.0	-2727	27
19.6	17.6	13.65	12.5	-2627	26
18.6	16.6	12.65	11.5	-2427	24
18.1	16.1	12.15	11.0	-2327	23
17.6	15.6	11.65	10.5	-2227	22
17.1	15.1	11.15	10.0	-2127	21
16.6	14.6	10.65	9.5	-2027	20
15.6	13.6	9.65	8.5	-1827	18
14.6	12.6	8.65	7.5	-1627	16
14.1	12.1	8.15	7.0	-1527	15
13.6	11.6	7.65	6.5	-1427	14
13.1	11.1	7.15	6.0	-1327	13
12.6	10.6	6.65	5.5	-1227	12
11.6	9.6	5.65	4.5	-1027	10
10.6	8.6	4.65	3.5	-0827	8
10.1	8.1	4.15	3.0	-0727	7
9.6	7.6	3.65	2.5	52437-0627	6
D	C	B	(A)	ENG. NO.	極数 EXT.

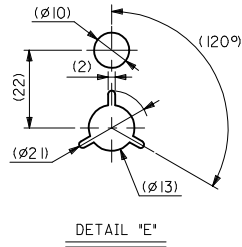
REVISED & REDRAWN EC NO: J2014-0108 DRWN: KNAGUMO 2013/07/16 CHKD: KTAKAHASHI 2013/07/16 APPR: YNOGAWA 2013/08/02	DESCRIPTION 10 UNDER ±0.2 10 OVER 30 UNDER ±0.25 30 OVER ±0.3 ANGULAR ±3 ° DRAFT WHERE APPLICABLE MUST REMAIN WITHIN DIMENSIONS	GENERAL TOLERANCES (UNLESS SPECIFIED)		DIMENSION STYLE MM ONLY		SCALE ---	DESIGN UNITS METRIC	THIRD ANGLE PROJECTION	
		DRAWN BY DATE KNAGUMO 2013/07/16		TITLE 0.5 FPC CONN ZIF FOR SMT R/A(BOTTOM CONTACT)				SHEET NO. 2 OF 2	
		CHECKED BY DATE KTAKAHASHI 2013/07/16		APPROVED BY DATE YNOGAWA 2013/08/02					
		MATERIAL NO. SEE CHART		DOCUMENT NO. SD-52437-025		INCORPORATED AND SHOULD NOT BE USED WITHOUT WRITTEN PERMISSION			
		SIZE A3		THIS DRAWING CONTAINS INFORMATION THAT IS PROPRIETARY TO MOLEX		INCORPORATED AND SHOULD NOT BE USED WITHOUT WRITTEN PERMISSION			

注記 NOTES

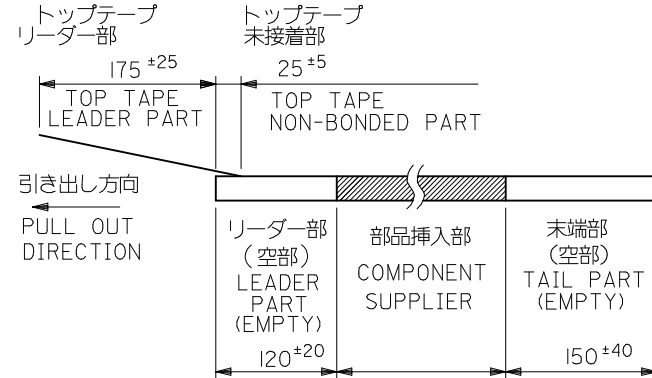
- 製品番号 52437-**27 の梱包状態はアクチュエータがロックした状態とする。
 詳細寸法については図面 SD-52437-025 を参照下さい。
 IN THE PACKAGE, ACTUATOR OF PART NO.52437-**27 SHOULD BE LOCKED RE DETAILED DIMENSIONS, SEE SD-52437-025
- 梱包数量：1000個/リール
 NUMBER OF CONNECTORS: 1000PCS/REEL
- リードテープ長さ LEAD TAPE LENGTH



引き出し方向
PULL OUT DIRECTION



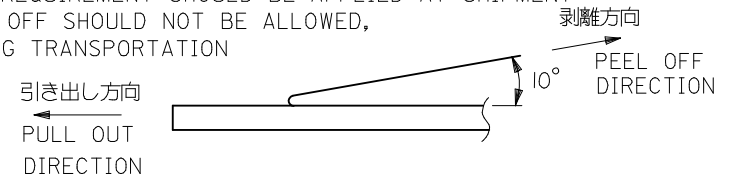
DETAIL "E"



引き出し方向
PULL OUT DIRECTION

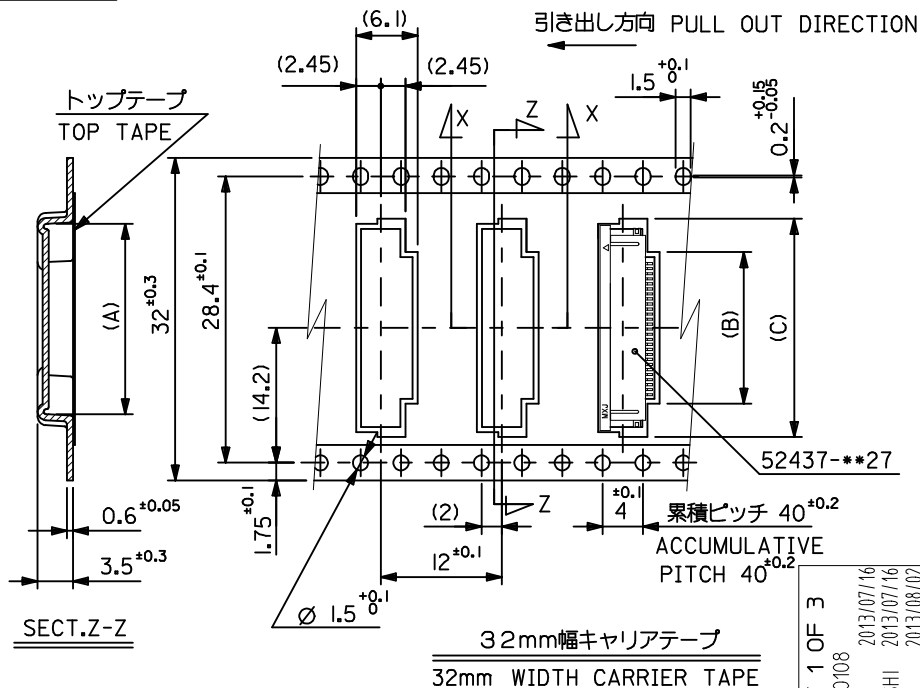
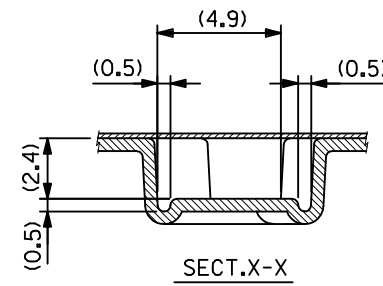
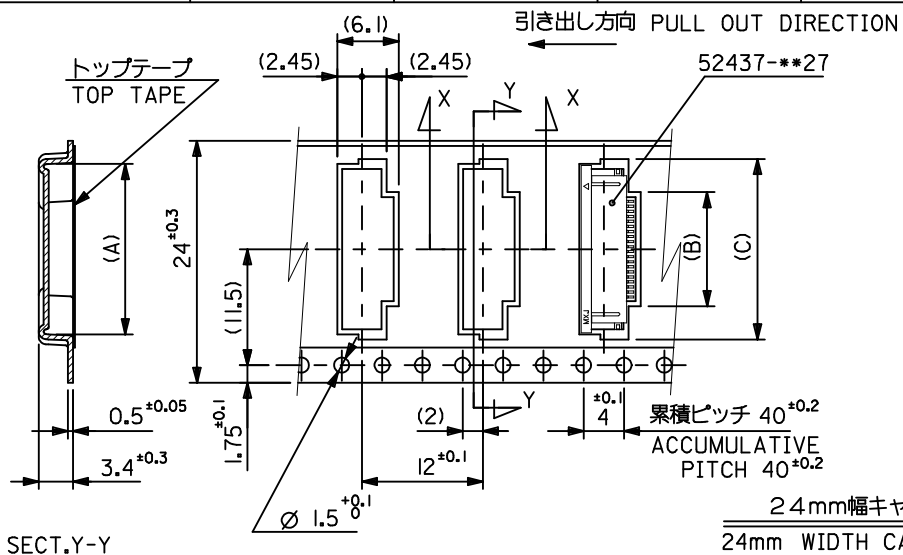
- トップテープの剥離強度：(剥離方向は下図参照)
 0.1N~0.7N (10.2gf~71.4gf) 尚、本規格値は、出荷時に適用。
 (但し、輸送時に剥離が発生しない事。)

PEELING OFF FORCE OF TOP TAPE
 0.1N~0.7N(10.2gf~71.4gf)(PEELING DIRECTION AS SHOWN IN FOLLOWING FIG.)
 THIS REQUIREMENT SHOULD BE APPLIED AT SHIPMENT
 PEEL OFF SHOULD NOT BE ALLOWED,
 DURING TRANSPORTATION



- 材料 (MATERIAL)
 キャリアテープ (CARRIER TAPE) : ポリプロピレン (POLYPROPYLENE)
 トップテープ (TOPTAPE) : PET, PE, PEF
 リール (REEL) : ポリスチレン (PS) <リサイクル材を含む>
 POLYSTYREN (PS) <RECYCLE MATERIAL CONTAINED>

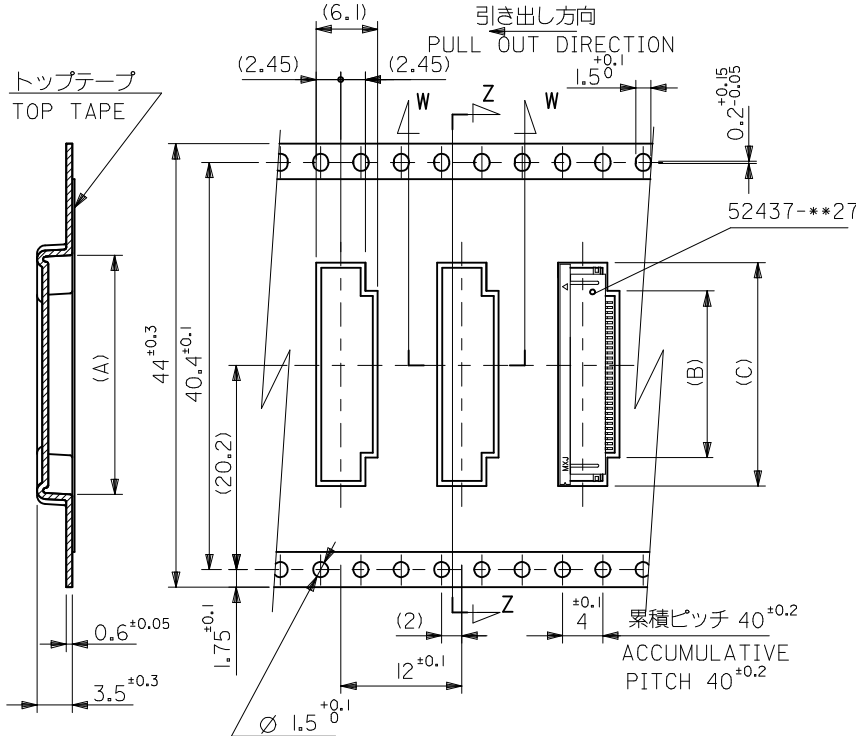
REVISED & REDRAWN EC NO: J2014-0108 DRWN:KNAGUMO 2013/07/16 CHKD:KTAKAHASHI 2013/07/16 APPR:YNOGAWA 2013/08/02	GENERAL TOLERANCES (UNLESS SPECIFIED)		DIMENSION STYLE MM ONLY		SCALE ---	DESIGN UNITS METRIC	THIRD ANGLE PROJECTION
	10 UNDER	± ---	DRAWN BY KNAGUMO	DATE 2013/07/16	TITLE EMBOSSED TAPE PACKAGE FOR 52437-**27		
	10 OVER 30 UNDER	± ---	CHECKED BY KTAKAHASHI	DATE 2013/07/16			
	30 OVER	± ---	APPROVED BY YNOGAWA	DATE 2013/08/02	molex MATERIAL NO. SEE CHART DOCUMENT NO. SD-52437-026 SHEET NO. 1 OF 3		
ANGULAR ± --- °		MATERIAL NO. SEE CHART					
DRAFT WHERE APPLICABLE MUST REMAIN WITHIN DIMENSIONS		THIS DRAWING CONTAINS INFORMATION THAT IS PROPRIETARY TO MOLEX INCORPORATED AND SHOULD NOT BE USED WITHOUT WRITTEN PERMISSION					



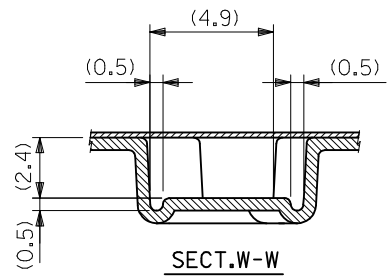
32	33.5	22.4	15.8	21.4	52437-2991	29
		21.9	15.3	20.9	-2891	28
		21.4	14.8	20.4	-2791	27
		20.9	14.3	19.9	-2691	26
		19.9	13.3	18.9	-2491	24
		19.4	12.8	18.4	-2391	23
24	25.5	18.9	12.3	17.9	-2291	22
		17.9	11.3	16.9	-2091	20
		16.9	10.3	15.9	-1891	18
		15.9	9.3	14.9	-1691	16
		15.4	8.8	14.4	-1591	15
		14.9	8.3	13.9	-1491	14
		14.4	7.8	13.4	-1391	13
		13.9	7.3	12.9	-1291	12
		12.9	6.3	11.9	-1091	10
		11.9	5.3	10.9	-0891	8
11.4	4.8	10.4	-0791	7		
10.9	4.3	9.9	52437-0691	6		
キャリアテープ幅 CARRIER TAPE WIDTH		D	(C)	(B)	(A)	ENG. NO.

SEE SHEET 1 OF 3	EC NO: J2014-0108	DRWN:KNAGUMO 2013/07/16	CHKD:KTAKAHASHI 2013/07/16	APPR:YNOGAWA 2013/08/02
REV	DESCRIPTION	GENERAL TOLERANCES (UNLESS SPECIFIED)		
0		10 UNDER	± ---	
		10 OVER 30 UNDER	± ---	
		30 OVER	± ---	
		ANGULAR	± --- °	
		DRAFT WHERE APPLICABLE MUST REMAIN WITHIN DIMENSIONS		

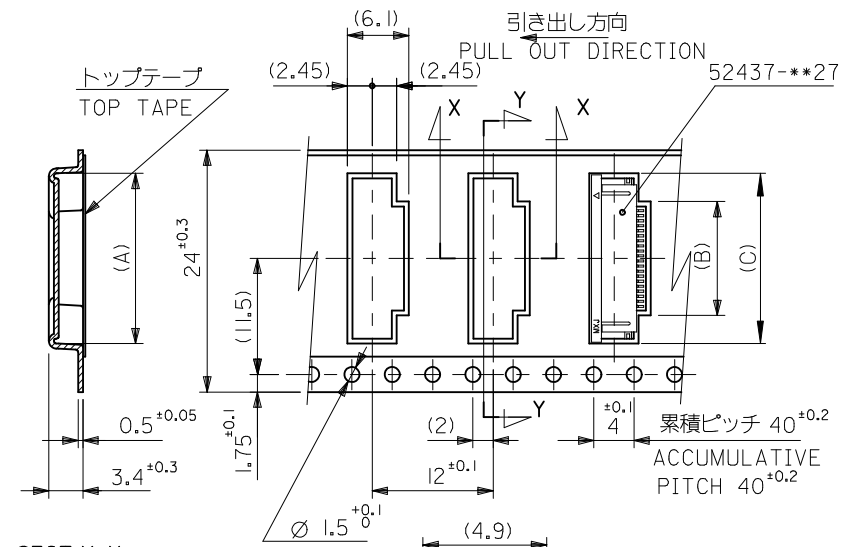
DIMENSION STYLE		SCALE		DESIGN UNITS		THIRD ANGLE PROJECTION	
MM ONLY		---		METRIC		<input checked="" type="checkbox"/> THIRD ANGLE PROJECTION	
DRAWN BY	DATE	TITLE					
KNAGUMO	2013/07/16	EMBOSSED TAPE PACKAGE FOR 52437-***27					
CHECKED BY	DATE	MATERIAL NO.					
KTAKAHASHI	2013/07/16	SEE CHART					
APPROVED BY	DATE	DOCUMENT NO.				SHEET NO.	
YNOGAWA	2013/08/02	SD-52437-026				2 OF 3	
THIS DRAWING CONTAINS INFORMATION THAT IS PROPRIETARY TO MOLEX INCORPORATED AND SHOULD NOT BE USED WITHOUT WRITTEN PERMISSION							



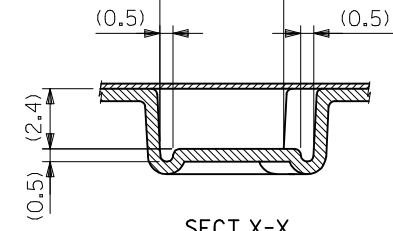
SECT.Z-Z



44mm幅キャリアテープ
44mm WIDTH CARRIER TAPE



SECT.Y-Y



SECT.X-X
24mm幅キャリアテープ
24mm WIDTH CARRIER TAPE

44	45.5	22.9	16.3	21.9	52437-3091	30
24	25.5	18.4	11.8	17.4	52437-2191	21
キャリアテープ幅 CARRIER TAPE WIDTH	D	(C)	(B)	(A)	ENG. NO.	極数 CIRCUIT

SEE SHEET 1 OF 3 EC NO: J2014-0108 DRWN:KNAGUMO 2013/07/16 CHKD:KTAKAHASHI 2013/07/16 APPR:YNOGAWA 2013/08/02	GENERAL TOLERANCES (UNLESS SPECIFIED)	
	10 UNDER	± ---
	10 OVER 30 UNDER	± ---
	30 OVER	± ---
ANGULAR	± --- °	
DRAFT WHERE APPLICABLE MUST REMAIN WITHIN DIMENSIONS		

DIMENSION STYLE MM ONLY		SCALE ---	DESIGN UNITS METRIC	THIRD ANGLE PROJECTION
DRAWN BY KNAGUMO	DATE 2013/07/16	TITLE EMBOSSED TAPR PACKAGE FOR 52437-***27		
CHECKED BY KTAKAHASHI	DATE 2013/07/16			
APPROVED BY YNOGAWA	DATE 2013/08/02			
MATERIAL NO.	SEE CHART	DOCUMENT NO. SD-52437-026	SHEET NO. 3 OF 3	
SIZE A3 THIS DRAWING CONTAINS INFORMATION THAT IS PROPRIETARY TO MOLEX INCORPORATED AND SHOULD NOT BE USED WITHOUT WRITTEN PERMISSION				