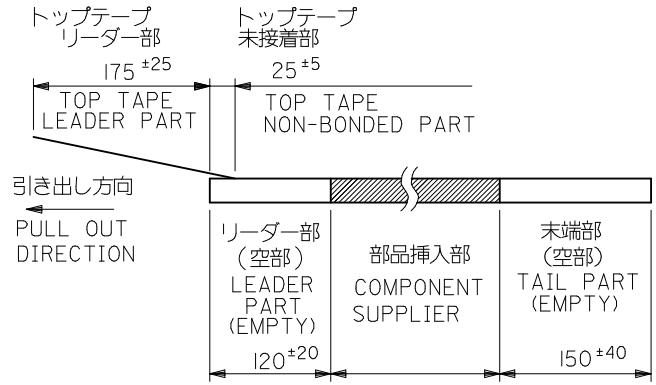
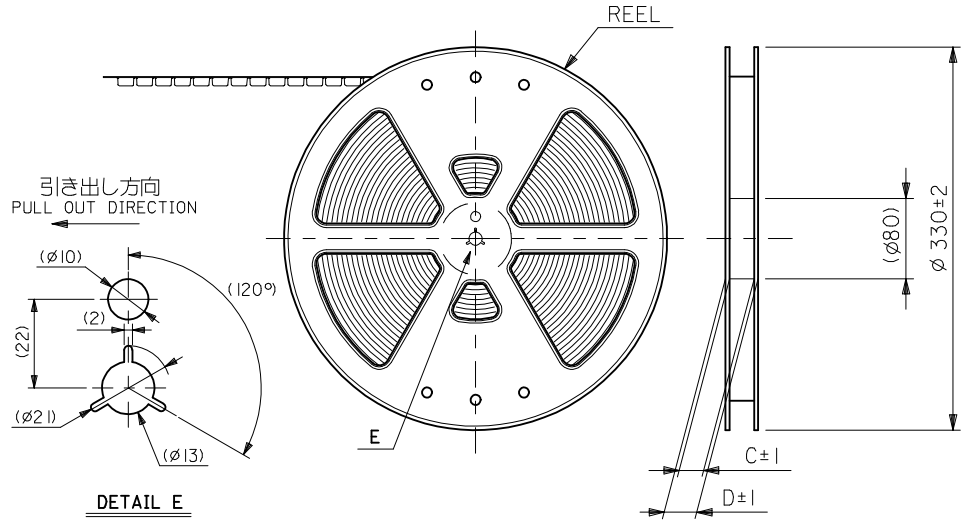


注記 NOTES

- 製品番号 52559-**19 の梱包状態はアクチュエータがロックした状態とする。
 詳細寸法については図面 SD-52559-**19 を参照下さい。
 IN THE PACKAGE,ACTUATOR OF PART NO.52559-**19 SHOULD BE LOCKED RE DETAILED DIMENSIONS,SEE SD-52559-**19
- 梱包数量：1000個/リール
 NUMBER OF CONNECTORS:1000PCS/REEL
- リードテープ長さ LEAD TAPE LENGTH



5. 材料
 キャリアテープ：ポリプロピレン (PP)
 トップテープ：PET, PE, PEF
 リール：ポリスチレン (PS) <リサイクル材を含む>

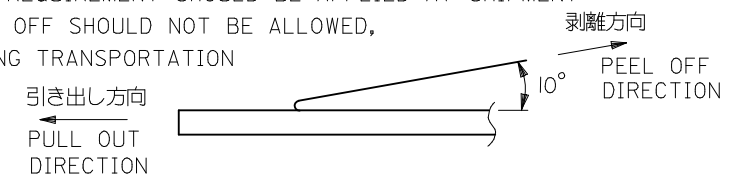
MATERIAL CARRIER TAPE:POLYPROPYLENE
 TOP TAPE:PET,PE,PEF
 REEL:POLYSTYREN(PS)
 <RECYCLE MATERIAL CONTAINED>

6. 本製品は 52559-**90 の鉛フリー品である。
 THIS PRODUCT IS LEAD FREE OF

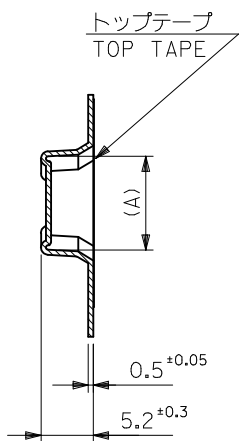
7. 本製品は乾燥剤入り、ハイバリア梱包仕様である。
 THIS PRODUCT IS HIGH BARRIER PACKAGE WITH DESICCANT.

4. トップテープの剥離強度：(剥離方向は下図参照)
 0.1N~1.3N {10gf~130gf}尚、本規格値は、出荷時に適用。
 (但し、輸送時に剥離が発生しない事。)

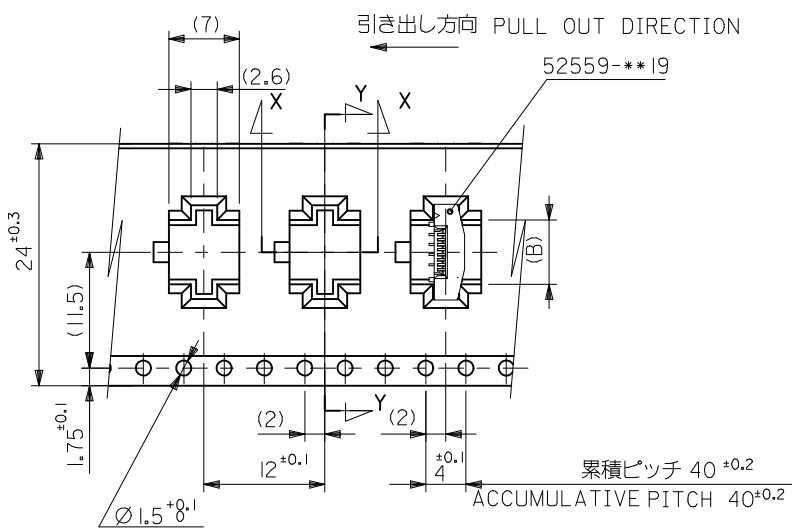
PEELING OFF FORCE OF TOP TAPE
 0.1~1.3N(10gf~130gf)(PEELING DIRECTION AS SHOWN IN FOLLOWING FIG.)
 THIS REQUIREMENT SHOULD BE APPLIED AT SHIPMENT
 PEEL OFF SHOULD NOT BE ALLOWED,
 DURING TRANSPORTATION



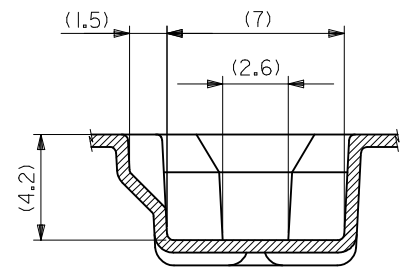
REVISED EC NO: J2009-2061 DRWN:TKON 2009/05/20 CHKD:HMATSUMOTO 2009/05/21 APPR:NIKIITA 2009/05/21	DESCRIPTION D	GENERAL TOLERANCES (UNLESS SPECIFIED)		DIMENSION STYLE MM ONLY		SCALE ---	52559-**70	MODEL NO.
		10 UNDER ±0.2		DRAWN BY HSHIMABUKURO	DATE '04/01/07	TITLE	DESIGN UNITS METRIC	THIRD ANGLE PROJECTION
		10 OVER 30 UNDER ±0.25		CHECKED BY KTOJO	DATE '04/01/07	0.5 FPC CONN ASSY ZIF SMT SMT EMBSTP PKG -LEAD FREE-	MOLEX INCORPORATED	SHEET NO. 1 OF 4
		30 OVER ±0.3		APPROVED BY MSASAO	DATE '04/01/07			
ANGULAR ±3 °		MATERIAL NO. SEE SHEET 2-4		DOCUMENT NO. SD-52559-029				
DRAFT WHERE APPLICABLE MUST REMAIN WITHIN DIMENSIONS		THIS DRAWING CONTAINS INFORMATION THAT IS PROPRIETARY TO MOLEX INCORPORATED AND SHOULD NOT BE USED WITHOUT WRITTEN PERMISSION						



SECT.Y-Y



24mm幅キャリアテープ
24mm WIDTH CARRIER TAPE

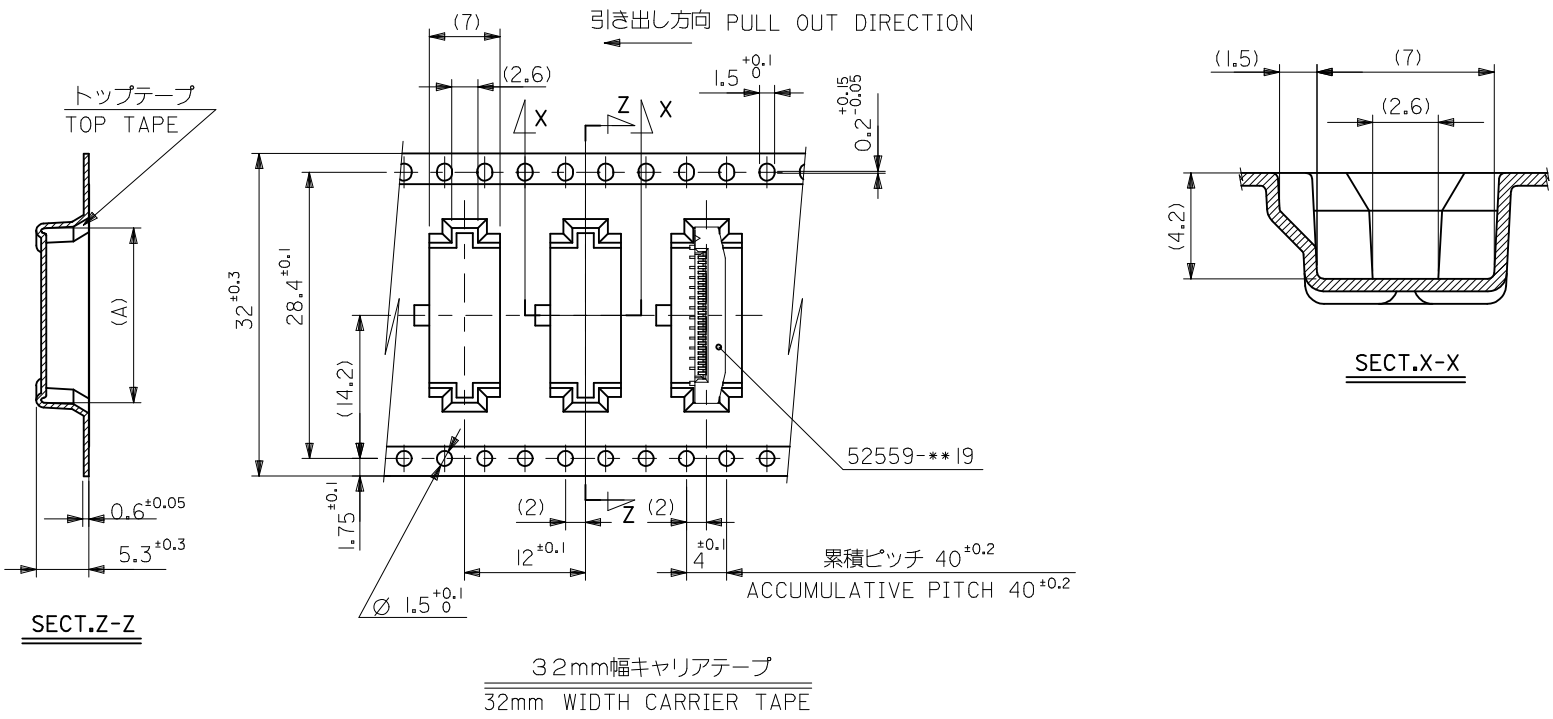


SECT.X-X

24	29.4	25.4	13.4	16.3	52559-2270	22
			12.4	15.3	52559-2070	20
			11.9	14.8	52559-1970	19
			11.4	14.3	52559-1870	18
			10.4	13.3	52559-1670	16
			9.9	12.8	52559-1570	15
			9.4	12.3	52559-1470	14
			8.9	11.8	52559-1370	13
			8.4	11.3	52559-1270	12
			7.9	10.8	52559-1170	11
6.4	9.3	52559-0870	8			
5.4	8.3	52559-0670	6			

MODEL No.52559-**-70 キャリアテープ幅 CARRIER TAPE WIDTH D C (B) (A) MATERIAL NO. 極致 CIRCUIT

REVISED EC NO: J2009-2061 DRWN:TKON 2009/05/20 CHKD:HMATSUMOTO 2009/05/21 APPR:NUKITA 2009/05/21	GENERAL TOLERANCES (UNLESS SPECIFIED)		DIMENSION STYLE	SCALE	DESIGN UNITS	THIRD ANGLE PROJECTION
	10 UNDER	±0.2	MM ONLY	---	METRIC	☉
	10 OVER 30 UNDER	±0.25	DRAWN BY DATE	TITLE		
	30 OVER	±0.3	HSHIMABUKURO '04/01/07	0.5 FPC CONN ASSY ZIF SMT SMT EMBSTP PKG -LEAD FREE-		
DESCRIPTION REV	ANGULAR	±3 °	CHECKED BY DATE	MOLEX INCORPORATED		
	DRAFT WHERE APPLICABLE MUST REMAIN WITHIN DIMENSIONS		KTOJO '04/01/07	MOLEX INCORPORATED		
			APPROVED BY DATE	DOCUMENT NO.		
		MSASAO '04/01/07	MATERIAL NO.		SHEET NO.	
			SEE TABLE		SD-52559-029 2 OF 4	
			THIS DRAWING CONTAINS INFORMATION THAT IS PROPRIETARY TO MOLEX INCORPORATED AND SHOULD NOT BE USED WITHOUT WRITTEN PERMISSION			



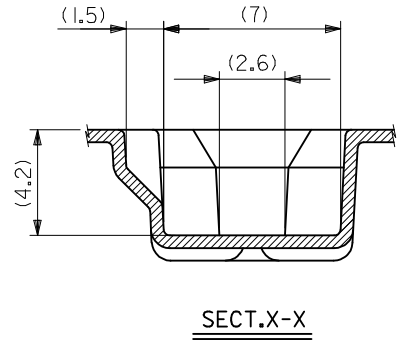
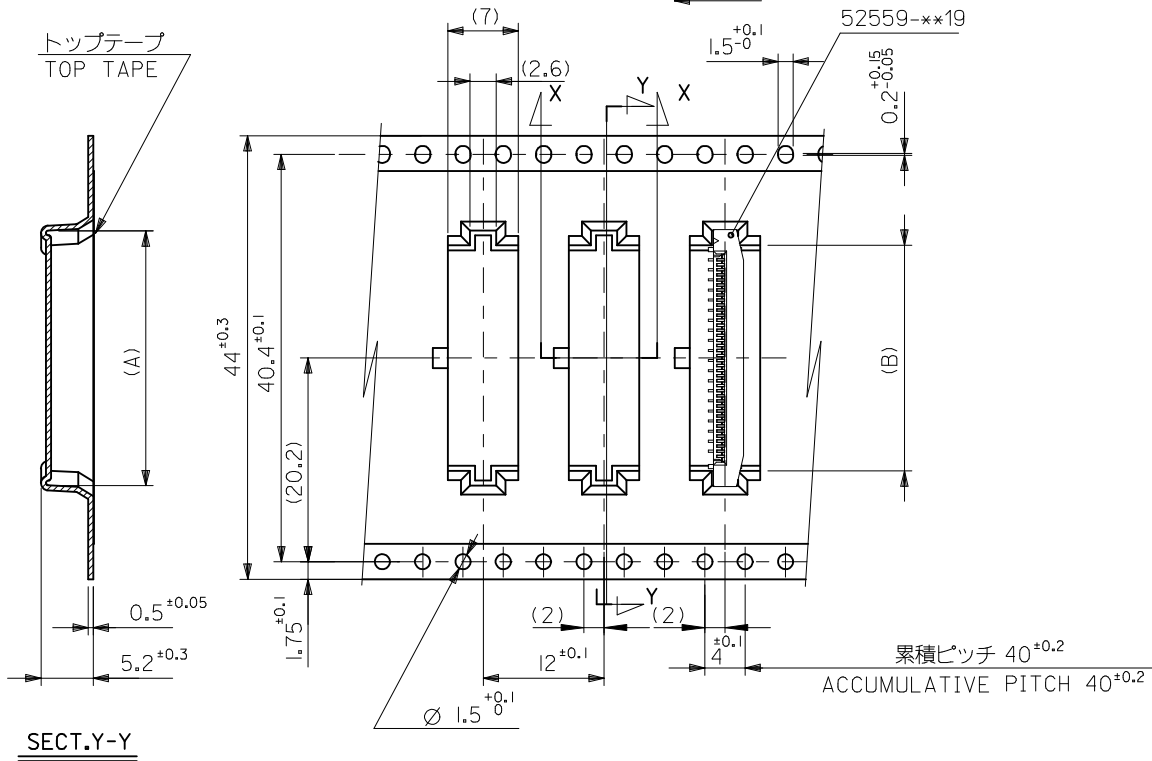
32mm幅キャリアテープ
32mm WIDTH CARRIER TAPE

32	37.4	33.4	18.9	21.8	52559-3370	33
			18.4	21.3	52559-3270	32
			17.4	20.3	52559-3070	30
			16.4	19.3	52559-2870	28
			15.4	18.3	52559-2670	26
			14.9	17.8	52559-2570	25
			14.4	17.3	52559-2470	24

MODEL No.52559-**70 キャリアテープ幅 CARRIER TAPE WIDTH D C (B) (A) MATERIAL. NO. 極致 CIRCUIT

REVISED EC NO: J2009-2061 DRWN:TKON 2009/05/20 CHKD:HMATSUMOTO 2009/05/21 APPR:NUKITA 2009/05/21	DESCRIPTION	GENERAL TOLERANCES (UNLESS SPECIFIED)	DIMENSION STYLE	SCALE	DESIGN UNITS	THIRD ANGLE PROJECTION
	REV	10 UNDER ±0.2	MM ONLY	---	METRIC	☉
		10 OVER 30 UNDER ±0.25	DRAWN BY DATE	TITLE		
		30 OVER ±0.3	CHECKED BY DATE	0.5 FPC CONN ASSY ZIF SMT SMT EMBSTP PKG -LEAD FREE-		
	ANGULAR ±3 °	APPROVED BY DATE	MOLEX INCORPORATED			
	DRAFT WHERE APPLICABLE MUST REMAIN WITHIN DIMENSIONS	MATERIAL NO.	SEE TABLE		DOCUMENT NO.	SHEET NO.
		SIZE	THIS DRAWING CONTAINS INFORMATION THAT IS PROPRIETARY TO MOLEX INCORPORATED AND SHOULD NOT BE USED WITHOUT WRITTEN PERMISSION			

引き出し方向 PULL OUT DIRECTION



44mm幅キャリアテープ
44mm WIDTH CARRIER TAPE

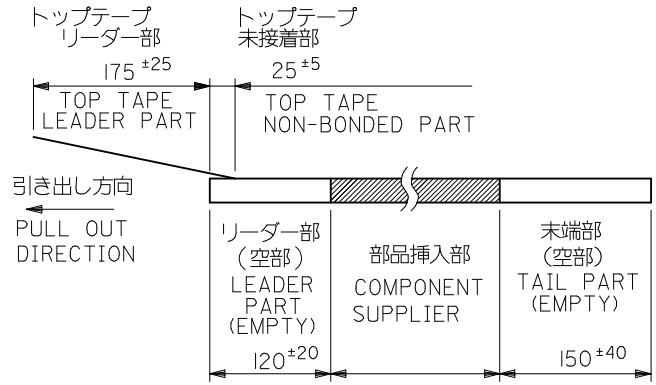
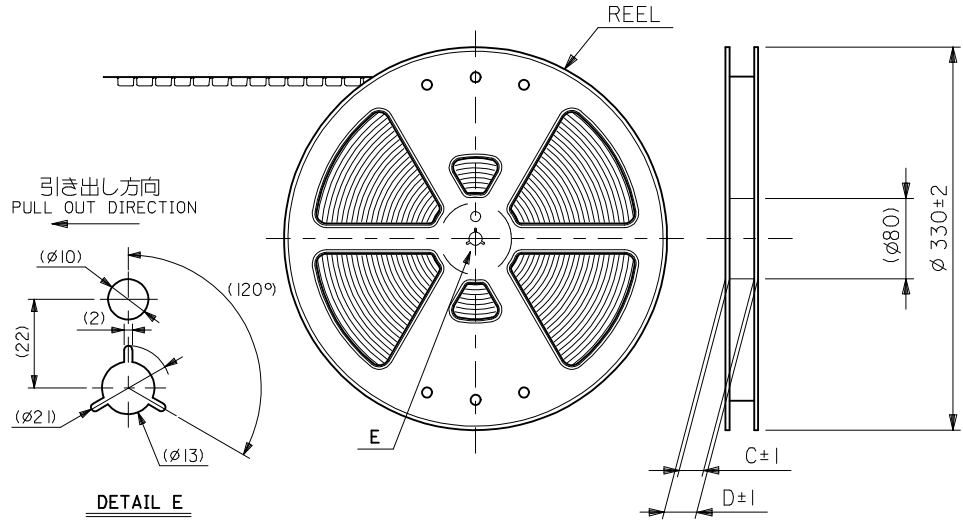
44	49.4	45.4	22.4	25.3	52559-4070	40
			20.4	23.3	52559-3670	36
MODEL No.52559-**70			キャリアテープ幅 CARRIER TAPE WIDTH		D	C
			(B)	(A)	MATERIAL NO.	CIRCUIT NO.

REVISED	EC NO: J2009-2061	2009/05/20	DESCRIPTION	GENERAL TOLERANCES (UNLESS SPECIFIED)	
	DRWN:TKON	2009/05/21		10 UNDER	±0.2
	CHKD:HATSUMOTO	2009/05/21		10 OVER 30 UNDER	±0.25
	APPR:NUKITA	2009/05/21		30 OVER	±0.3
REV	ANGULAR ±3 °		DRAFT WHERE APPLICABLE MUST REMAIN WITHIN DIMENSIONS		

DIMENSION STYLE		SCALE	DESIGN UNITS		THIRD ANGLE PROJECTION	
MM ONLY		---	METRIC			
DRAWN BY	DATE	TITLE				
HSHIMABUKURO	'04/01/07	0.5 FPC CONN ASSY ZIF SMT ST EMBSTP PKG -LEAD FREE- MOLEX INCORPORATED				
CHECKED BY	DATE					
KTOJO	'04/01/07					
APPROVED BY	DATE	MATERIAL NO.		DOCUMENT NO.		
MSASAO	'04/01/07	SEE TABLE		SD-52559-029		
SIZE						SHEET NO.
A3						4 OF 4
THIS DRAWING CONTAINS INFORMATION THAT IS PROPRIETARY TO MOLEX INCORPORATED AND SHOULD NOT BE USED WITHOUT WRITTEN PERMISSION						

注記 NOTES

- 製品番号 52559-**-**19 の梱包状態はアクチュエータがロックした状態とする。
 詳細寸法については図面 SD-52559-**-**19 を参照下さい。
 IN THE PACKAGE,ACTUATOR OF PART NO.52559-**-**19 SHOULD BE LOCKED
 RE DETAILED DIMENSIONS,SEE SD-52559-**-**19
- 梱包数量：1000個/リール
 NUMBER OF CONNECTORS:1000PCS/REEL
- リードテープ長さ LEAD TAPE LENGTH



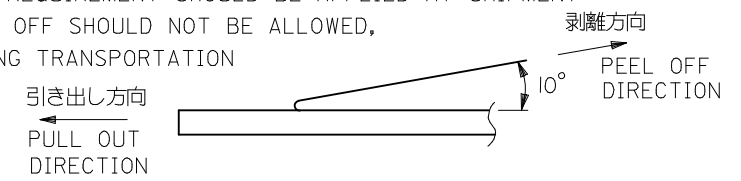
5. 材料
 キャリアテープ：ポリプロピレン (PP)
 トップテープ：PET, PE, PEF
 リール：ポリスチレン (PS) <リサイクル材を含む>

MATERIAL CARRIER TAPE:POLYPROPYLENE
 TOP TAPE:PET,PE,PEF
 REEL:POLYSTYREN(PS)
 <RECYCLE MATERIAL CONTAINED>

6. 本製品は 52559-**-**90の鉛フリー品である。
 THIS PRODUCT IS LEAD FREE OF

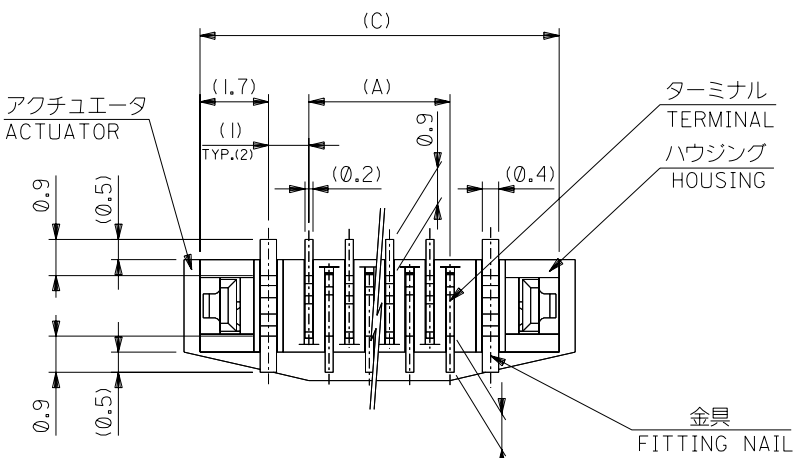
7. 本製品は乾燥剤入り、ハイバリア梱包仕様である。
 THIS PRODUCT IS HIGH BARRIER PACKAGE WITH DESICCANT.

4. トップテープの剥離強度：(剥離方向は下図参照)
 0.1N~1.3N {10gf~130gf}尚、本規格値は、出荷時に適用。
 (但し、輸送時に剥離が発生しない事。)
 PEELING OFF FORCE OF TOP TAPE
 0.1~1.3N(10gf~130gf)(PEELING DIRECTION AS SHOWN IN FOLLOWING FIG.)
 THIS REQUIREMENT SHOULD BE APPLIED AT SHIPMENT
 PEEL OFF SHOULD NOT BE ALLOWED,
 DURING TRANSPORTATION



REVISED EC NO: J2009-2061 DRWN:TKON 2009/05/20 CHKD:HMATSUMOTO 2009/05/21 APPR:NIKIITA 2009/05/21	GENERAL TOLERANCES (UNLESS SPECIFIED)		DIMENSION STYLE MM ONLY		SCALE ---	52559-**-**70	MODEL NO.
	10 UNDER ±0.2		DRAWN BY HSHIMABUKURO	DATE '04/01/07	TITLE	0.5 FPC CONN ASSY ZIF SMT SMT EMBSTP PKG -LEAD FREE-	
	10 OVER 30 UNDER ±0.25		CHECKED BY KTOJO	DATE '04/01/07		MOLEX INCORPORATED	
	30 OVER ±0.3		APPROVED BY MSASAO	DATE '04/01/07		DOCUMENT NO. SD-52559-029	SHEET NO. 1 OF 4
	ANGULAR ±3 °		MATERIAL NO. SEE SHEET 2-4				
	DRAFT WHERE APPLICABLE MUST REMAIN WITHIN DIMENSIONS		THIS DRAWING CONTAINS INFORMATION THAT IS PROPRIETARY TO MOLEX INCORPORATED AND SHOULD NOT BE USED WITHOUT WRITTEN PERMISSION				

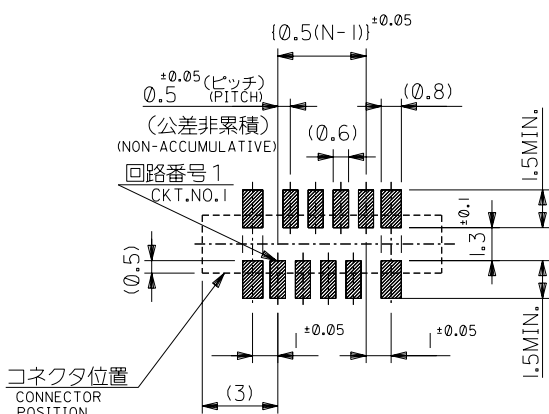
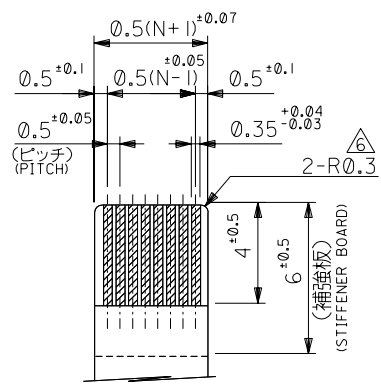
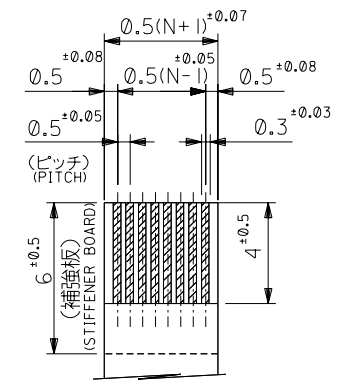
DWG. NO. SD-52559-045



FPCについて：
 打抜き方向は導体側から補強板側を推奨致します。
 補強フィルム材質はポリイミドを推奨致します。
 接着剤は熱硬化接着剤を推奨致します。

ABOUT FPC :
 RECOMMENDED PUNCHER DIRECTION : FROM CONDUCTOR SIDE TO STIFFENER BOARD SIDE.
 RECOMMENDED MATERIAL :
 STIFFENER FILM : POLYIMIDE
 BONDING AGENT : THERMOSETTING BONDING AGENT

下面図
 BOTTOM VIEW



適合FPC推奨寸法
 APPLICABLE FPC
 RECOMMENDED DIMENSION.
 (仕上がり厚さ: 0.3±0.05)
 (THICKNESS: 0.3±0.05)

適合FPC推奨寸法
 APPLICABLE FPC
 RECOMMENDED DIMENSION.
 (仕上がり厚さ: 0.3±0.05)
 (THICKNESS: 0.3±0.05)

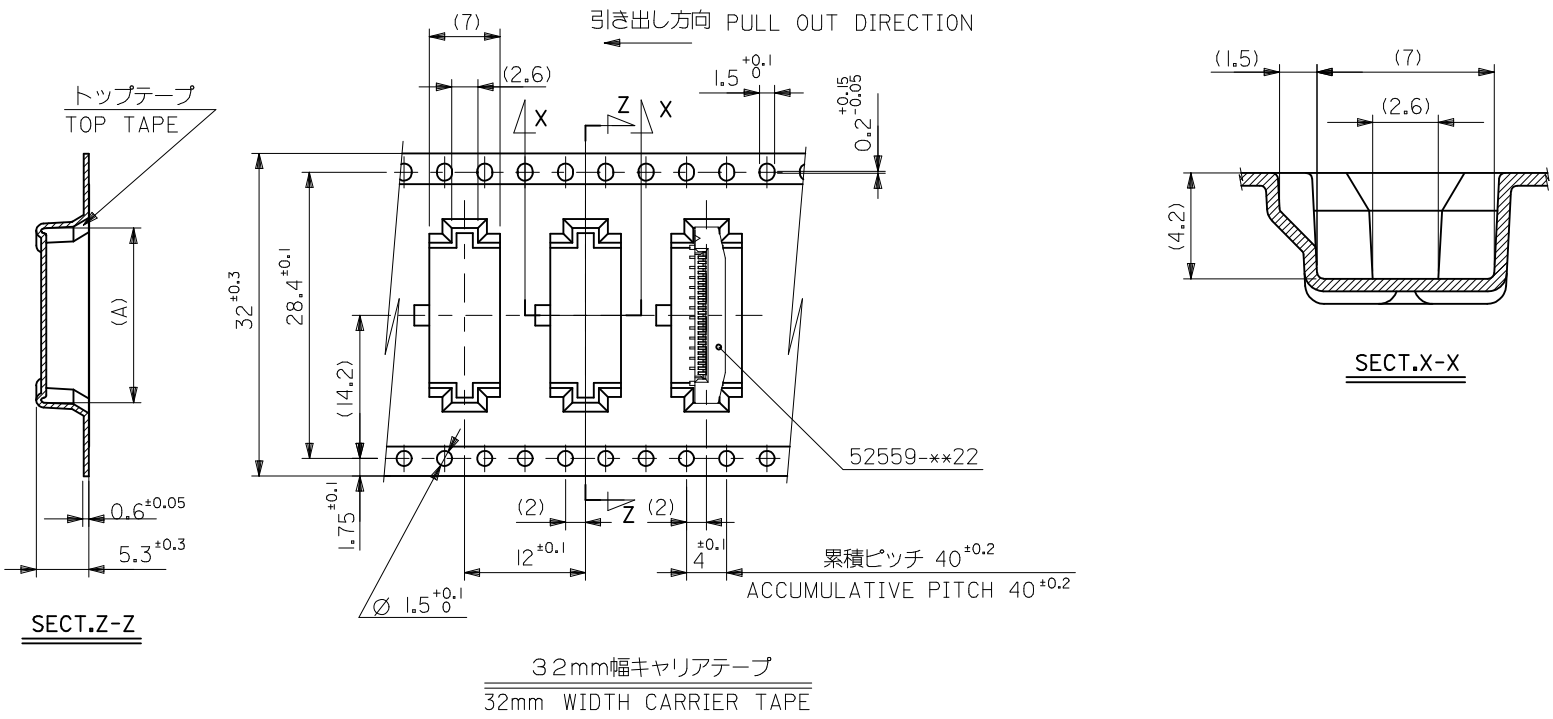
コネクタ位置
 CONNECTOR POSITION
 参考基板レイアウト
 (マウント面)
 RECOMMENDED P.C. BOARD
 PATTERN DIMENSION (REF.)
 (MOUNTING SIDE)

25.7	24.9	20.65	19.5	52559-4019	40
23.7	22.9	18.65	17.5	-3619	36
22.2	21.4	17.15	16.0	-3319	33
21.7	20.9	16.65	15.5	-3219	32
21.2	20.4	16.15	15.0	-3119	31
20.7	19.9	15.65	14.5	-3019	30
20.2	19.4	15.15	14.0	-2919	29
19.7	18.9	14.65	13.5	-2819	28
19.2	18.4	14.15	13.0	-2719	27
18.7	17.9	13.65	12.5	-2619	26
18.2	17.4	13.15	12.0	-2519	25
17.7	16.9	12.65	11.5	-2419	24
17.2	16.4	12.15	11.0	-2319	23
16.7	15.9	11.65	10.5	-2219	22
16.2	15.4	11.15	10.0	-2119	21
15.7	14.9	10.65	9.5	-2019	20
15.2	14.4	10.15	9.0	-1919	19
14.7	13.9	9.65	8.5	-1819	18
14.2	13.4	9.15	8.0	-1719	17
13.7	12.9	8.65	7.5	-1619	16
13.2	12.4	8.15	7.0	-1519	15
12.7	11.9	7.65	6.5	-1419	14
12.2	11.4	7.15	6.0	-1319	13
11.7	10.9	6.65	5.5	-1219	12
11.2	10.4	6.15	5.0	-1119	11
10.7	9.9	5.65	4.5	-1019	10
10.2	9.4	5.15	4.0	-0919	9
9.7	8.9	4.65	3.5	-0819	8
8.7	7.9	3.65	2.5	52559-0619	6
D	C	B	(A)	MATERIAL NO.	極数

DO NOT SCALE DRAWING

図番 NO. DRWN: CH'K: APPR:	図番 NO. DRWN: CH'K: APPR:	図番 NO. DRWN: CH'K: APPR:	REVISED 図番 NO. J2004-3551 DRWN: H.KAWABATA '04/04/05 CH'K: K.TOJO '04/04/05 APPR: H. Saito '04/04/05	図番 NO. DRWN: H.SHIMABUKURO '04/01/07 CH'K: K.TOJO '04/01/07 APPR: H. Saito '04/01/07	MATERIAL 材料 注記参照 SEE NOTES	GENERAL TOLERANCES: (UNLESS SPECIFIED) 一般公差 10 UNDER 未滿 ±0.2 10 OVER 以上 30 UNDER 未滿 ±0.25 30 OVER 以上 ±0.3	SCALE 1:1 DESIGN UNITS <input checked="" type="checkbox"/> mm <input type="checkbox"/> INCH	MODEL NO. 52559-***19 DIMENSIONS: <input type="checkbox"/> mm <input type="checkbox"/> INCH <input checked="" type="checkbox"/> mm ONLY	SHT 2 REV
			RELEASED 図番 NO. J2004-1818 DRWN: H.SHIMABUKURO '04/01/07 CH'K: K.TOJO '04/01/07 APPR: H. Saito '04/01/07						
			A	0		ANGLE 角度 ±3°	MOLEX MOLEX INCORPORATED CAD FILENAME SD-52559-045.S02 MATERIAL NO. SEE CHART DRAWING NO. SD-52559-045 SHEET NO. 2 OF 2		2025 DRAWING CONTAINS INFORMATION THAT IS PROPRIETARY TO MOLEX INCORPORATED AND SHOULD NOT BE USED WITHOUT WRITTEN PERMISSION. SIZE B

SD-52559-045.S02



32	37.4	33.4	18.9	21.8	52559-3334	33
			16.4	19.3	52559-2834	28
			14.9	17.8	52559-2534	25
			14.4	17.3	52559-2434	24

SEE SHEET 1 OF 3 EC NO: J2013-1014 DRWN:NASUNUMA 2013/02/23 CHKD:KTAKAHASHI 2013/02/23 APPR:KMORIKAWA 2013/03/15	DESCRIPTION REV 0	GENERAL TOLERANCES (UNLESS SPECIFIED)		MODEL No.52559-**34	キャリアテープ幅 CARRIER TAPE WIDTH	D	C	(B)	(A)	MATERIAL NO.	種数 CIRCUIT	
		10 UNDER	±0.2	DIMENSION STYLE		SCALE	DESIGN UNITS		THIRD ANGLE PROJECTION			
		MM ONLY		---	METRIC							
		10 OVER 30 UNDER	±0.25	DRAWN BY	DATE	TITLE						
		30 OVER	±0.3	NASANUMA	2013/02/23	EMBOSS PACKAGED FOR 0.5MM FPC CONN ZIF S/T HOUSING ASSY						
ANGULAR ±3 °		CHECKED BY	DATE	DRAWN BY		DATE	TITLE					
DRAFT WHERE APPLICABLE MUST REMAIN WITHIN DIMENSIONS		KTAKAHASHI	2013/02/23	CHECKED BY		DATE	EMBOSS PACKAGED FOR 0.5MM FPC CONN ZIF S/T HOUSING ASSY					
		APPROVED BY	DATE	APPROVED BY		DATE	TITLE					
		KMORIKAWA	2013/03/15	KMORIKAWA		2013/03/15	TITLE					
		MATERIAL NO.		SEE CHART		DOCUMENT NO.		SD-52559-059		SHEET NO.		
		SIZE		A3		THIS DRAWING CONTAINS INFORMATION THAT IS PROPRIETARY TO MOLEX INCORPORATED AND SHOULD NOT BE USED WITHOUT WRITTEN PERMISSION						