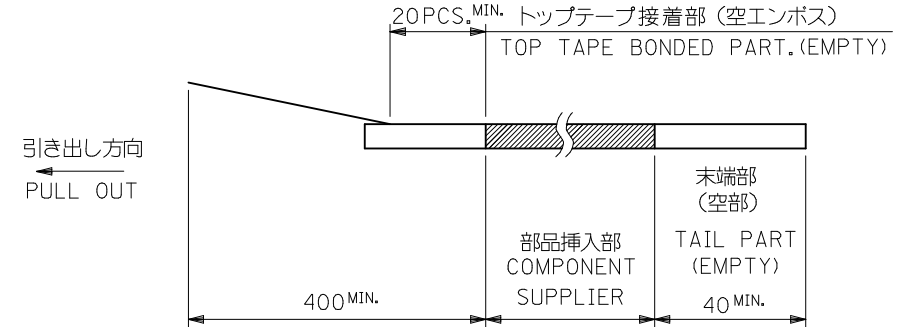
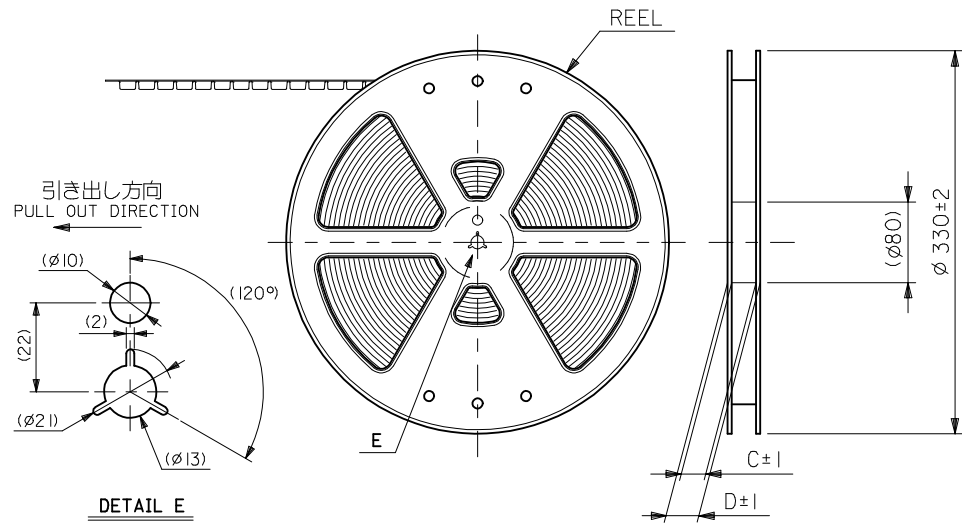


注記 NOTES

- 製品番号 52559-***19 の梱包状態はアクチュエータがロックした状態とする。
 詳細寸法については図面 SD-52559-027 を参照下さい。
 IN THE PACKAGE,ACTUATOR OF PART NO.52559-***19 SHOULD BE LOCKED
 RE DETAILED DIMENSIONS,SEE SD-52559-027
- 梱包数量：1000個/リール
 NUMBER OF CONNECTORS:1000PCS/REEL
- リードテープ長さ LEAD TAPE LENGTH

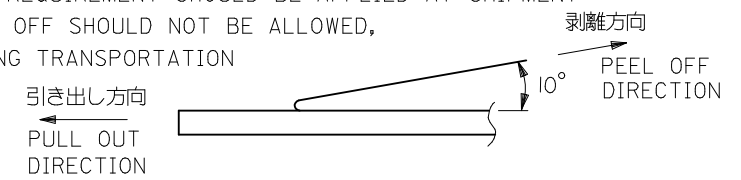


5. 材料 キャリアテープ:ポリプロピレン (PP)
 トップテープ:PET, PE, PEF
 リール:ポリスチレン (PS) <リサイクル材を含む>

MATERIAL CARRIER TAPE:POLYPROPYLENE
 TOP TAPE:PET,PE,PEF
 REEL:POLYSTYREN(PS)
 <RECYCLE MATERIAL CONTAINED>

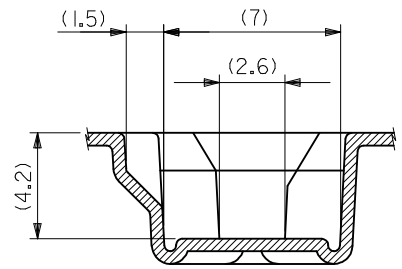
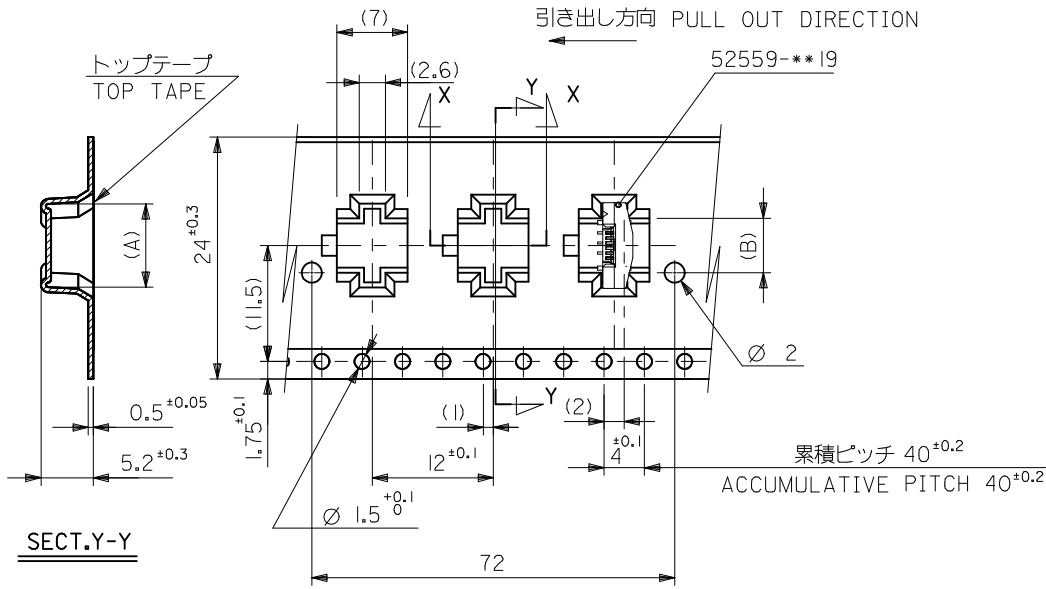
- 本製品は 52559-***92の鉛フリー品である。
 THIS PRODUCT IS LEAD FREE OF 52559-***92
- 本製品は乾燥剤入り、ハイバリア梱包仕様である。
 THIS PRODUCT IS HIGH BARRIER PACKAGE WITH DESICCANT.

4. トップテープの剥離強度：(剥離方向は下図参照)
 0.1~1.3N {10gf~130gf} 尚、本規格値は、出荷時に適用。
 (但し、輸送時に剥離が発生しない事。)
 PEELING OFF FORCE OF TOP TAPE
 0.1~1.3N{10gf~130gf}(PEELING DIRECTION AS SHOWN IN FOLLOWING FIG.)
 THIS REQUIREMENT SHOULD BE APPLIED AT SHIPMENT
 PEEL OFF SHOULD NOT BE ALLOWED,
 DURING TRANSPORTATION



52559-***72
 MODEL NO.

| | | | | | | | | | | |
|--|-------------|---|------------|----------------------------|------------|---|------------------------|------------------------|-------------------------------|--|
| REVISED EC NO.: J2009-2061 DRWN:TKON 2009/05/20 CHKD:HATSUMOTO 2009/05/21 APPR:NIKI ITA 2009/05/21 | DESCRIPTION | GENERAL TOLERANCES (UNLESS SPECIFIED) | | DIMENSION STYLE MM ONLY | | SCALE --- | DESIGN UNITS METRIC | THIRD ANGLE PROJECTION | | |
| | | 10 UNDER | ±0.2 | DRAWN BY | DATE | TITLE | | | | |
| | | 10 OVER 30 UNDER | ±0.25 | H. SHIMABUKUR | 2004/01/07 | 0.5 FPC CONN ASSY ZIF SMT ST EMBSTP PKG -LEAD FREE- | | | | |
| | | 30 OVER | ±0.3 | K. TOJO | 2004/01/07 | | | | | |
| ANGULAR | ±3 ° | APPROVED BY | DATE | MOLEX INCORPORATED | | | | | | |
| DRAFT WHERE APPLICABLE MUST REMAIN WITHIN DIMENSIONS | | M. SASAO | 2004/01/07 | | | | | | MATERIAL NO. SEE SHEET 2-4 | |
| REV | REV | SIZE A3 THIS DRAWING CONTAINS INFORMATION THAT IS PROPRIETARY TO MOLEX INCORPORATED AND SHOULD NOT BE USED WITHOUT WRITTEN PERMISSION | | | | | | | | |



SECT.Y-Y

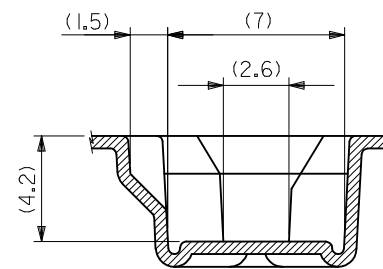
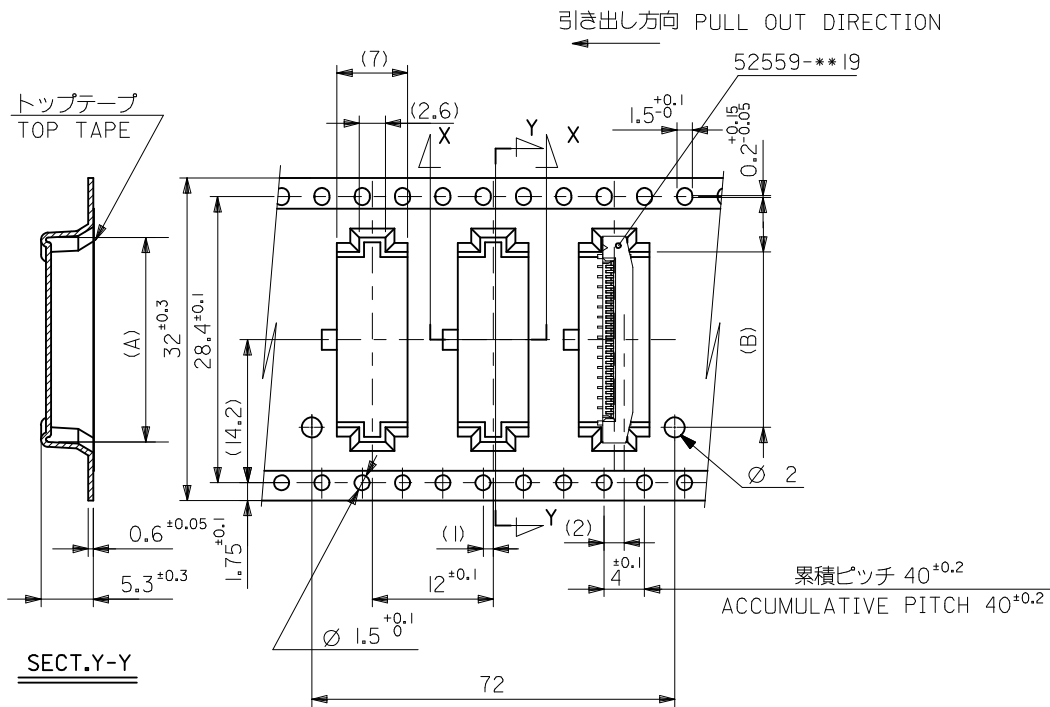
24mm幅キャリアテープ
24mm WIDTH CARRIER TAPE

| | | | | | | |
|-----|------|------------|------|------|------------|----|
| 24 | 29.4 | 25.4 | 14.4 | 17.3 | 52559-2472 | 24 |
| | | | 13.9 | 16.8 | 52559-2372 | 23 |
| | | | 12.9 | 15.8 | 52559-2172 | 21 |
| | | | 12.4 | 15.3 | 52559-2072 | 20 |
| | | | 10.9 | 13.8 | 52559-1772 | 17 |
| | | | 10.4 | 13.3 | 52559-1672 | 16 |
| | | | 9.9 | 12.8 | 52559-1572 | 15 |
| | | | 9.4 | 12.3 | 52559-1472 | 14 |
| | | | 8.4 | 11.3 | 52559-1272 | 12 |
| | | | 7.4 | 10.3 | 52559-1072 | 10 |
| 6.9 | 9.8 | 52559-0972 | 9 | | | |
| 5.4 | 8.3 | 52559-0672 | 6 | | | |

52559-***72
MODEL NO.

キャリアテープ幅
CARRIER TAPE WIDTH

| | | | | | | |
|---|---------------------------------------|---|-----------------|--------------|---|------------------------|
| REVISED EC NO.: J2009-2061 DRWN:TKON 2009/05/20 CHKD:HMATSUMOTO 2009/05/21 APPR:NUKITA 2009/05/21 | GENERAL TOLERANCES (UNLESS SPECIFIED) | | DIMENSION STYLE | SCALE | DESIGN UNITS | THIRD ANGLE PROJECTION |
| | | | MM ONLY | --- | METRIC | ☉ |
| | 10 UNDER | ±0.2 | DRAWN BY | DATE | TITLE | |
| | 10 OVER 30 UNDER | ±0.25 | H. SHIMABUKUR | 2004/01/07 | 0.5 FPC CONN ASSY ZIF SMT ST EMBSTP PKG -LEAD FREE- | |
| | 30 OVER | ±0.3 | CHECKED BY | DATE | MOLEX INCORPORATED | |
| ANGULAR | ±3 ° | K. TOJO | 2004/01/07 | MATERIAL NO. | | |
| DRAFT WHERE APPLICABLE MUST REMAIN WITHIN DIMENSIONS | | M. SASAO | 2004/01/07 | DOCUMENT NO. | | |
| | | SEE TABLE | | SD-52559-028 | | |
| | | SIZE A3 | | SHEET NO. | | |
| | | THIS DRAWING CONTAINS INFORMATION THAT IS PROPRIETARY TO MOLEX INCORPORATED AND SHOULD NOT BE USED WITHOUT WRITTEN PERMISSION | | 2 OF 4 | | |



SECT.X-X

SECT.Y-Y

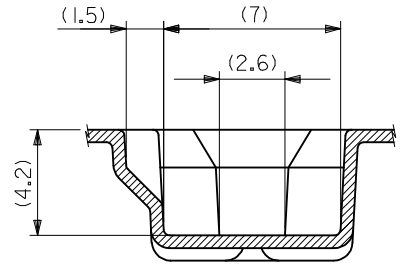
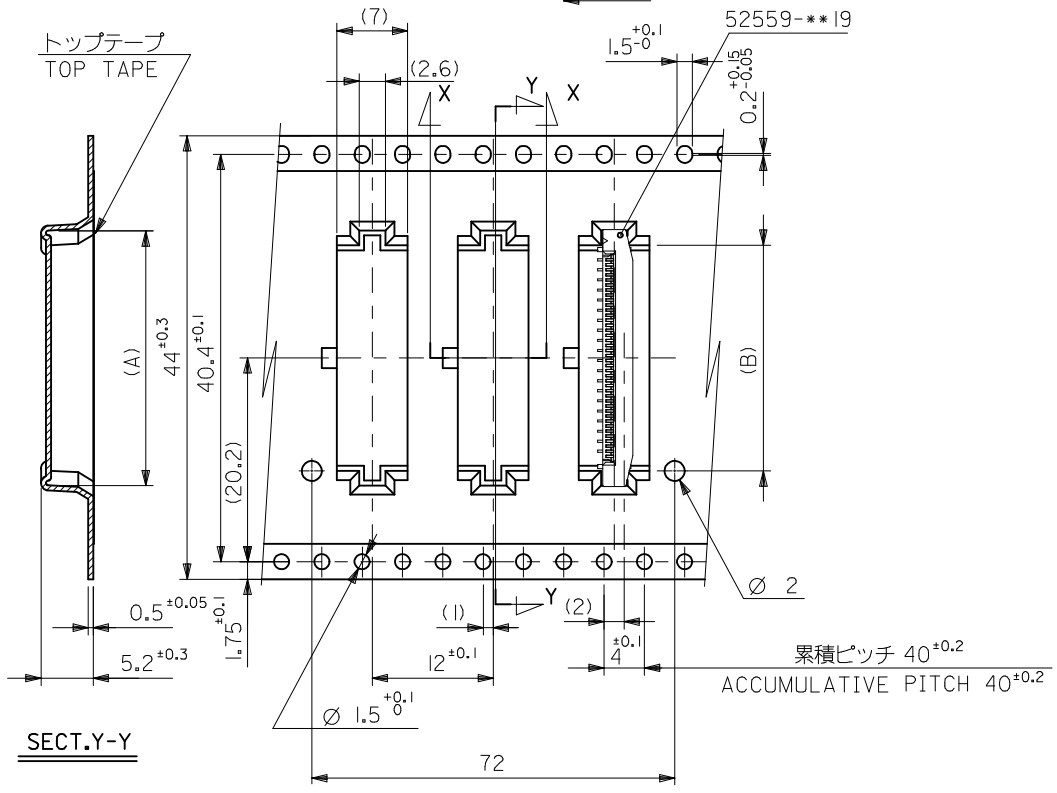
32mm幅キャリアテープ
32mm WIDTH CARRIER TAPE

| | | | | | | | |
|--------------------------------|------|------|------|------|------------|--------------|-------------|
| 32 | 37.4 | 33.4 | 18.4 | 21.3 | 52559-3272 | 32 | |
| | | | 17.4 | 20.3 | 52559-3072 | 30 | |
| | | | 16.4 | 19.3 | 52559-2872 | 28 | |
| | | | 15.9 | 18.8 | 52559-2772 | 27 | |
| | | | 15.4 | 18.3 | 52559-2672 | 26 | |
| キャリアテープ幅 CARRIER TAPE WIDTH | | D | C | (B) | (A) | MATERIAL NO. | CIRCUIT NO. |

| | | | |
|---------|--|-------------|---------------------------------------|
| REVISED | EC NO. J2009-2061 | 2009/05/20 | 2009/05/20 |
| | DRWN:TKON | 2009/05/21 | 2009/05/21 |
| | CHKD:HMATSUMOTO | 2009/05/21 | 2009/05/21 |
| | APPR:NUKITA | 2009/05/21 | 2009/05/21 |
| | REV | DESCRIPTION | GENERAL TOLERANCES (UNLESS SPECIFIED) |
| 10 | UNDER | ±0.2 | |
| 10 | OVER 30 UNDER | ±0.25 | |
| 30 | OVER | ±0.3 | |
| | ANGULAR | ±3 ° | |
| | DRAFT WHERE APPLICABLE MUST REMAIN WITHIN DIMENSIONS | | |

| | | | | | | |
|---|--------------------|--|------------------------|--|------------------------|---------------------|
| DIMENSION STYLE MM ONLY | | SCALE --- | DESIGN UNITS METRIC | | THIRD ANGLE PROJECTION | |
| DRAWN BY H. SHIMABUKUR | DATE 2004/01/07 | TITLE 0.5 FPC CONN ASSY ZIF SMT ST EMBSTP PKG -LEAD FREE- | | | | |
| CHECKED BY K. TOJO | DATE 2004/01/07 | MOLEX INCORPORATED | | | | |
| APPROVED BY M. SASAO | DATE 2004/01/07 | DOCUMENT NO. SD-52559-028 | | | | SHEET NO. 3 OF 4 |
| MATERIAL NO. SEE TABLE | | | | | | |
| THIS DRAWING CONTAINS INFORMATION THAT IS PROPRIETARY TO MOLEX INCORPORATED AND SHOULD NOT BE USED WITHOUT WRITTEN PERMISSION | | | | | | |

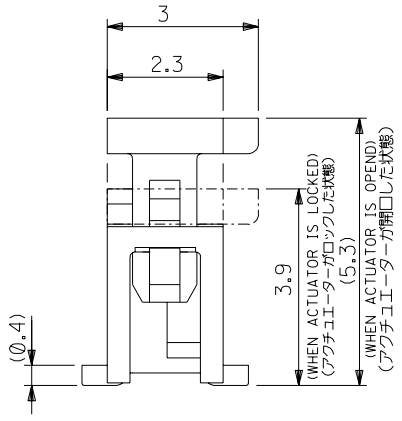
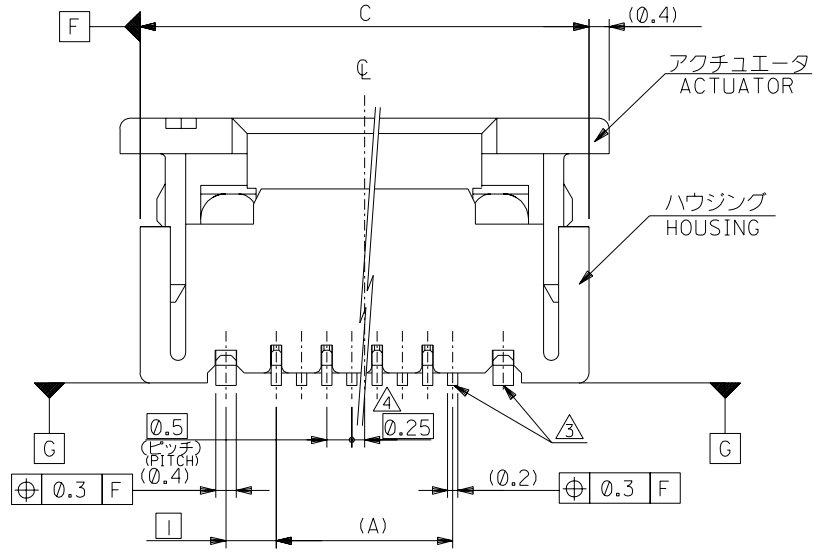
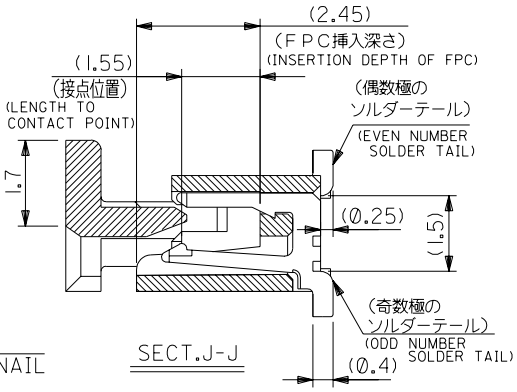
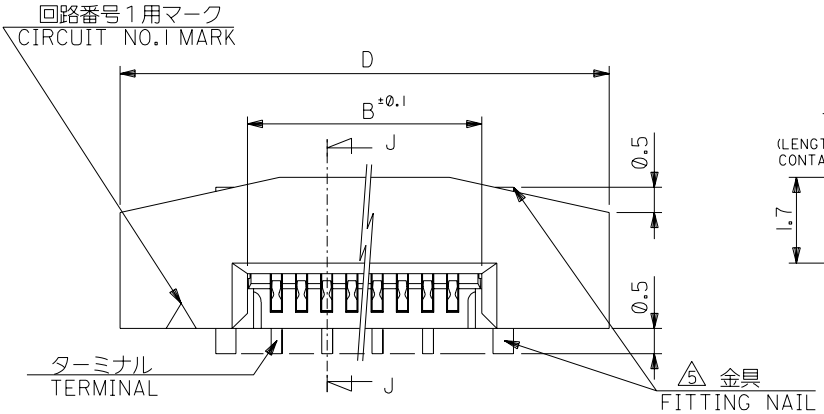
引き出し方向 PULL OUT DIRECTION



SECT.X-X

44mm幅キャリアテープ
44mm WIDTH CARRIER TAPE

| | | | | | | | | | |
|---|---------------------------------------|---|---|--|---|-------------------------------|--|------------------------|--|
| REVISED EC NO.: J2009-2061 DRWN:TKON 2009/05/20 CHKD:HMATSUMOTO 2009/05/21 APPR:NUKITA 2009/05/21 | GENERAL TOLERANCES (UNLESS SPECIFIED) | | DIMENSION STYLE MM ONLY | | SCALE --- | DESIGN UNITS METRIC | | THIRD ANGLE PROJECTION | |
| | 10 UNDER | ±0.2 | DRAWN BY DATE H. SHIMABUKUR 2004/01/07 | | TITLE 0.5 FPC CONN ASSY ZIF SMT ST EMBSTP PKG -LEAD FREE- | | | | |
| | 10 OVER 30 UNDER | ±0.25 | CHECKED BY DATE K. TOJO 2004/01/07 | | MOLEX INCORPORATED DOCUMENT NO. SD-52559-028 SHEET NO. 4 OF 4 | | | | |
| | 30 OVER | ±0.3 | APPROVED BY DATE M. SASAO 2004/01/07 | | | | | | |
| ANGULAR | ±3 ° | MATERIAL NO. SEE TABLE | | | | | | | |
| DRAFT WHERE APPLICABLE MUST REMAIN WITHIN DIMENSIONS | | THIS DRAWING CONTAINS INFORMATION THAT IS PROPRIETARY TO MOLEX INCORPORATED AND SHOULD NOT BE USED WITHOUT WRITTEN PERMISSION | | | | | | | |



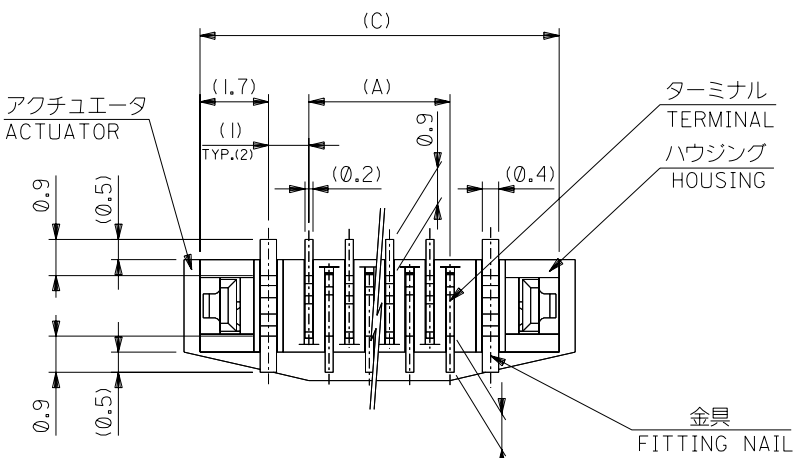
注記 NOTES

- 使用材料 : MATERIAL
 ハウジング :46NYLON UL94V-0
 HOUSING
 アクチュエータ :PPS UL94V-0
 ACTUATOR
 ターミナル :リン青銅 (t=0.2)
 TERMINAL PHOS-BRO
 :錫ビスマスメッキ 1.0マイクロメートル以上
 TIN-BISMUTH 1.0 MICROMETER MINIMUM
 :ニッケル下地 1.0マイクロメートル以上
 NICKEL(UNDER PLATING) 1.0 MICROMETER MINIMUM
 金具 :リン青銅 (t=0.4)
 FITTING NAIL PHOS-BRO
 :錫メッキ 1.0マイクロメートル以上
 TIN 1.0 MICROMETER MINIMUM
 :ニッケル下地 1.0マイクロメートル以上
 NICKEL(UNDER PLATING) 1.0 MICROMETER MINIMUM
- エンボスステップ梱包時は、アクチュエータがロックした状態とする。
 IN THE PACKAGE,ACTUATOR OF PART NO.52559-019 SHOULD BE LOCKED.
 △ソルダーテール半田付け面のスレ量、及び金具半田付け面のスレ量は、基準面 G に対し上方向 0.05 MAX. , 下方向 0.15 MAX. とする。
 MISALIGNMENT OF SOLDER TAILS AND FITTING NAILS FROM UPPER DIRECTION: 0.05 MAX. , LOWER DIRECTION: 0.15 MAX.
 △偶数種に適用。
 APPLY FOR EVEN CIRCUIT.
 △パターンはくり止め用金具。
 FITTING NAIL FOR PREVENTION OF PEELING OF P.C.B. PATTERN.
 △R0.3は、FPCの導体部にかからないこと。
 R0.3 MUST NOT BE OVERLAPPED TO PATTERN OF FPC.
 7.本製品は 52559-019 の鉛フリー品である。
 THIS PRODUCT IS LEAD FREE OF 52559-019

DO NOT SCALE DRAWING

| | | | | | | | | | | | | | |
|--|--|---|--|---|--|----------------------------------|--|--|--|---------------------------------------|--|--|--|
| 64NO. DRWN: CH'K: APPR: 63NO. DRWN: CH'K: APPR: 62NO. DRWN: CH'K: APPR: | | REVISED 61NO. J2004-3551 DRWN: H. KAWABATA 04/04/05 CH'K: K. TOJO 04/04/05 APPR: H. Sato 04/04/05 | | RELEASED 60NO. J2004-1818 DRWN: H. SHIMABUKURO 04/01/07 CH'K: K. TOJO 04/01/07 APPR: H. Sato 04/01/07 | | MATERIAL 材料 注記参照 SEE NOTES | | GENERAL TOLERANCES: (UNLESS SPECIFIED) 一般公差 10 UNDER 未満 ±0.2 10 OVER 以上 30 UNDER 未満 ±0.25 30 OVER 以上 ±0.3 | | SCALE 1:1 DESIGN UNITS ㎜ mm □ INCH | | 20° 2ND ANGLE PROJECTION DIMENSIONS: ㎜ mm □ INCH □ mm ONLY SHT 1 OF 2 REV B CAD ONLY | |
| WIRE RANGE 適用層線範囲 INS. RANGE 被覆外径 | | TITLE: 0.5 FPC Conn. Assy ZIF. -LEAD FREE- | | MOLEX MOLEX INCORPORATED | | CAD FILENAME SD-52559-045.S01 | | MATERIAL NO. SEE CHART | | DRAWING NO. SD-52559-045 | | SHEET NO. 1 OF 2 | |
| THIS DRAWING CONTAINS INFORMATION THAT IS PROPRIETARY TO MOLEX INCORPORATED AND SHOULD NOT BE USED WITHOUT WRITTEN PERMISSION. | | | | | | | | | | | | SIZE B | |

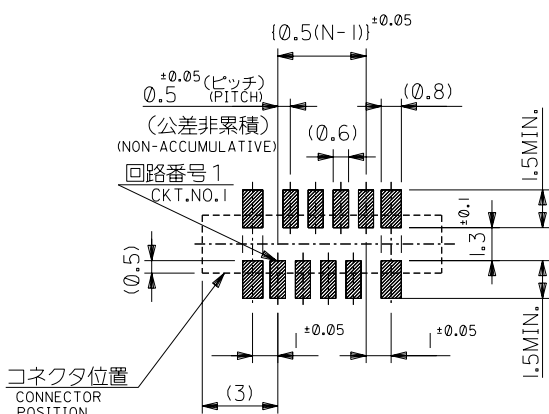
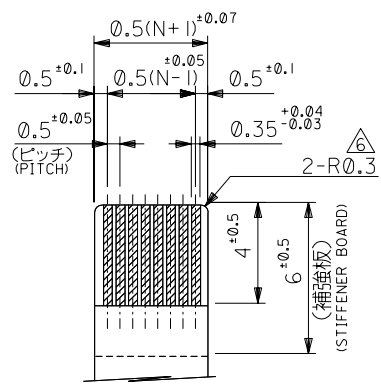
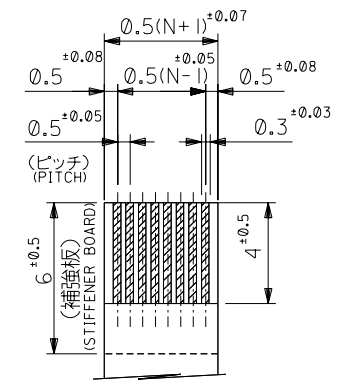
DWG. NO. SD-52559-045



FPCについて：
 打抜き方向は導体側から補強板側を推奨致します。
 補強フィルム材質はポリイミドを推奨致します。
 接着剤は熱硬化接着剤を推奨致します。

ABOUT FPC :
 RECOMMENDED PUNCHER DIRECTION : FROM CONDUCTOR SIDE TO STIFFENER BOARD SIDE.
 RECOMMENDED MATERIAL :
 STIFFENER FILM : POLYIMIDE
 BONDING AGENT : THERMOSETTING BONDING AGENT

下面図
 BOTTOM VIEW



適合FPC推奨寸法
 APPLICABLE FPC
 RECOMMENDED DIMENSION.
 (仕上がり厚さ: 0.3±0.05)
 (THICKNESS: 0.3±0.05)

適合FPC推奨寸法
 APPLICABLE FPC
 RECOMMENDED DIMENSION.
 (仕上がり厚さ: 0.3±0.05)
 (THICKNESS: 0.3±0.05)

| | | | | | |
|------|------|-------|------|--------------|----|
| 25.7 | 24.9 | 20.65 | 19.5 | 52559-4019 | 40 |
| 23.7 | 22.9 | 18.65 | 17.5 | -3619 | 36 |
| 22.2 | 21.4 | 17.15 | 16.0 | -3319 | 33 |
| 21.7 | 20.9 | 16.65 | 15.5 | -3219 | 32 |
| 21.2 | 20.4 | 16.15 | 15.0 | -3119 | 31 |
| 20.7 | 19.9 | 15.65 | 14.5 | -3019 | 30 |
| 20.2 | 19.4 | 15.15 | 14.0 | -2919 | 29 |
| 19.7 | 18.9 | 14.65 | 13.5 | -2819 | 28 |
| 19.2 | 18.4 | 14.15 | 13.0 | -2719 | 27 |
| 18.7 | 17.9 | 13.65 | 12.5 | -2619 | 26 |
| 18.2 | 17.4 | 13.15 | 12.0 | -2519 | 25 |
| 17.7 | 16.9 | 12.65 | 11.5 | -2419 | 24 |
| 17.2 | 16.4 | 12.15 | 11.0 | -2319 | 23 |
| 16.7 | 15.9 | 11.65 | 10.5 | -2219 | 22 |
| 16.2 | 15.4 | 11.15 | 10.0 | -2119 | 21 |
| 15.7 | 14.9 | 10.65 | 9.5 | -2019 | 20 |
| 15.2 | 14.4 | 10.15 | 9.0 | -1919 | 19 |
| 14.7 | 13.9 | 9.65 | 8.5 | -1819 | 18 |
| 14.2 | 13.4 | 9.15 | 8.0 | -1719 | 17 |
| 13.7 | 12.9 | 8.65 | 7.5 | -1619 | 16 |
| 13.2 | 12.4 | 8.15 | 7.0 | -1519 | 15 |
| 12.7 | 11.9 | 7.65 | 6.5 | -1419 | 14 |
| 12.2 | 11.4 | 7.15 | 6.0 | -1319 | 13 |
| 11.7 | 10.9 | 6.65 | 5.5 | -1219 | 12 |
| 11.2 | 10.4 | 6.15 | 5.0 | -1119 | 11 |
| 10.7 | 9.9 | 5.65 | 4.5 | -1019 | 10 |
| 10.2 | 9.4 | 5.15 | 4.0 | -0919 | 9 |
| 9.7 | 8.9 | 4.65 | 3.5 | -0819 | 8 |
| 8.7 | 7.9 | 3.65 | 2.5 | 52559-0619 | 6 |
| D | C | B | (A) | MATERIAL NO. | 極数 |

DO NOT SCALE DRAWING

| | | | | | | | | | | |
|-----------------------------|-----------------------------|-----------------------------|--|--|----------------------------------|--|---|--|--|--------------------------|
| 図番 NO. DRWN: CH'K: APPR: | 図番 NO. DRWN: CH'K: APPR: | 図番 NO. DRWN: CH'K: APPR: | REVISED 図番 NO. J2004-3551 DRWN: H.KAWABATA '04/04/05 CH'K: K.TOJO '04/04/05 APPR: H. Saito '04/04/05 | RELEASED 図番 NO. J2004-1818 DRWN: H.SHIMABUKURO '04/01/07 CH'K: K.TOJO '04/01/07 APPR: H. Saito '04/01/07 | MATERIAL 材料 注記参照 SEE NOTES | GENERAL TOLERANCES: (UNLESS SPECIFIED) 一般公差 10 UNDER 未満 ±0.2 10 OVER 以上 30 UNDER 未満 ±0.25 30 OVER 以上 ±0.3 | SCALE DESIGN UNITS <input checked="" type="checkbox"/> mm <input type="checkbox"/> INCH PROJECTION <input checked="" type="checkbox"/> 1st ANGLE <input type="checkbox"/> 3rd ANGLE | MODEL NO. 52559-***19 DIMENSIONS: <input type="checkbox"/> mm <input type="checkbox"/> INCH <input checked="" type="checkbox"/> mm ONLY SHT REV | | |
| | | | WIRE RANGE 適用 層数 範囲 | FINISH 仕上げ | INS. RANGE 被覆 外径 | DRAWN BY & DATE H.SHIMABUKURO '04/01/07 | CHECKED BY & DATE K.TOJO '04/01/07 | APPROVED BY & DATE H. Saito '04/01/07 | TITLE: 0.5 FPC Conn. Assy ZIF. -LEAD FREE- | MOLEX MOLEX INCORPORATED |
| | | | A | 0 | | CAD FILENAME SD-52559-045.S02 | MATERIAL NO. SEE CHART | DRAWING NO. SD-52559-045 | SHEET NO. 2 OF 2 | SIZE B |

SD-52559-045.S02