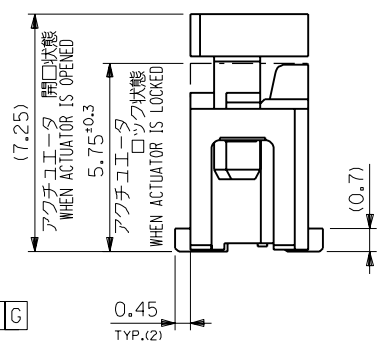
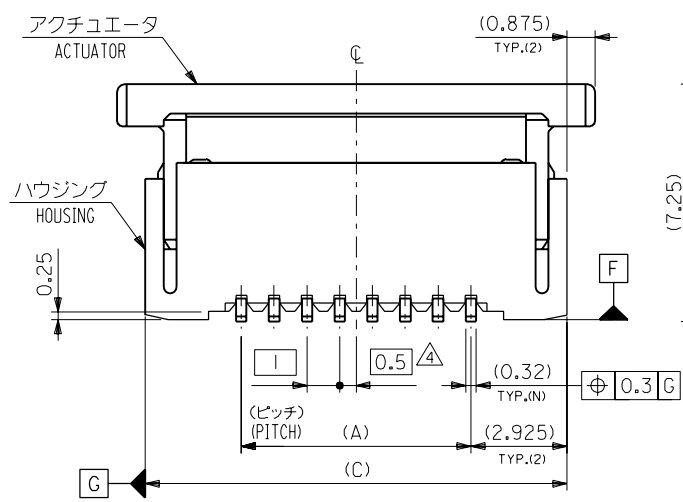
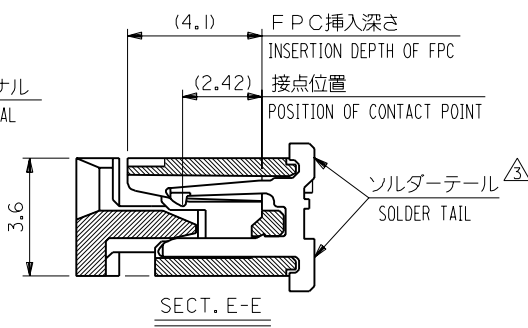
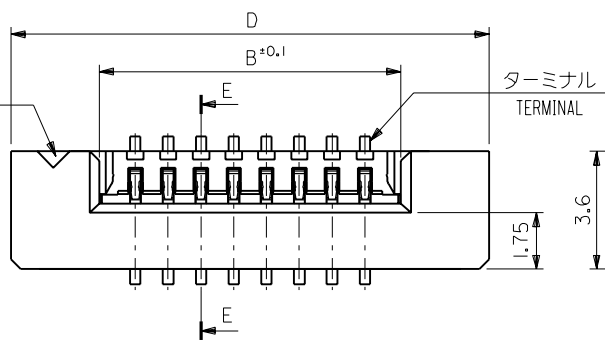


回路番号1マーク
CIRCUIT NO. 1 MARK



注記(NOTES):

- 材料(MATERIAL)
ハウジング(HOUSING): 46NYLON, UL94V-0
アクチュエータ(ACTUATOR): PPS, UL94V-0
ターミナル(TERMINAL): リン青銅、錫メッキ (t O. 32) PHOS-BRO. TIN-PLATED
 - エンボステープ梱包時は、アクチュエータがロックした状態とする。
IN THE PACKAGE, ACTUATOR OF PART NO. 52610-***17 SHOULD BE LOCKED.
- △3 ソルダーテール半田付け面のズレ量は、基準面 [F] に対し上方向 0.05 MAX.、下方向 0.15 MAX. とする。
MISALIGNMENT OF SOLDER TAILS FROM [F] UPPER DIRECTION : 0.05 MAX., LOWER DIRECTION : 0.15 MAX.
- △4 偶数極に適用。
APPLY FOR EVEN CIRCUIT.

DIMENSIONS IN METRIC DO NOT SCALE DRAWING

角 度 ANGLE		材 料 MATERIAL		注 記 参 照 SEE NOTES	
30 以上 OVER	+3°	46NYLON, UL94V-0		— # —	
10 以上 30 未満 UNDER	+0.3	PPS, UL94V-0		— # —	
10 未満 UNDER	+0.2	リン青銅、錫メッキ (t O. 32) PHOS-BRO. TIN-PLATED		— # —	
一般公差 GENERAL TOLERANCES		記号 LTR		DR. / CHK. 日付 DATE	
		変更内容 REVISION RECORD		M. FUKUSHIMA	
		A 変更 (J30284)		Y.M. H.I. '93/3/25	
		O 新規作成 (J21144)		Y.M. H.I. '92/12/9	
		DRAWN BY '92/12/9 Y.MIZUNO		CHK'D BY '93/3/25 H.I.	
		APP'D BY '93/3/25 M.FUKUSHIMA		尺 度 SCALE — # —	

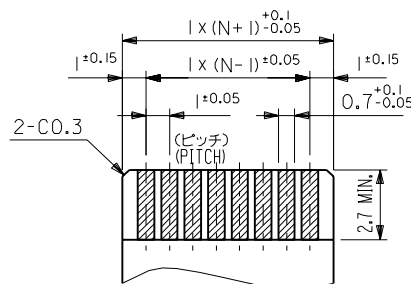
molex MOLEX-JAPAN CO.,LTD.
日本モレックス株式会社

REVISE ONLY ON CAD SYSTEM

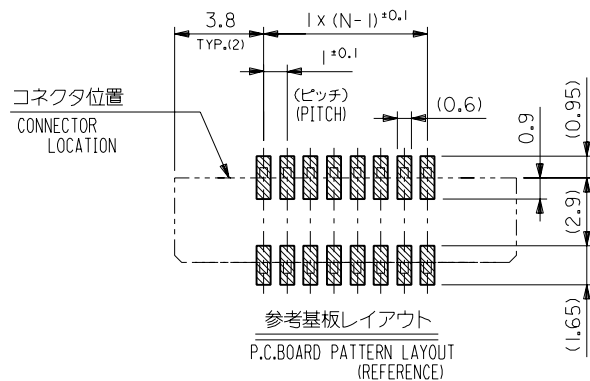
TITLE 名称
I.O FPC CONNECTOR
Z.I.F. FOR SMT. (ST.)

DWG. NO. SD-52610-***17 SHEET 1 OF 2 REV A

DWG. NO.
SD-52610-**-17



適合FPC推奨寸法
APPLICABLE FPC RECOMMENDED DIM.
仕上がり厚さ(THICKNESS): 0.3 ± 0.05



参考基板レイアウト
P.C.BOARD PATTERN LAYOUT
(REFERENCE)

36.6	34.85	31.2	29	52610-3017	30
35.6	33.85	30.2	28	-2917	29
34.6	32.85	29.2	27	-2817	28
33.6	31.85	28.2	26	-2717	27
32.6	30.85	27.2	25	-2617	26
31.6	29.85	26.2	24	-2517	25
30.6	28.85	25.2	23	-2417	24
29.6	27.85	24.2	22	-2317	23
28.6	26.85	23.2	21	-2217	22
27.6	25.85	22.2	20	-2117	21
26.6	24.85	21.2	19	-2017	20
25.6	23.85	20.2	18	-1917	19
24.6	22.85	19.2	17	-1817	18
23.6	21.85	18.2	16	-1717	17
22.6	20.85	17.2	15	-1617	16
21.6	19.85	16.2	14	-1517	15
20.6	18.85	15.2	13	-1417	14
19.6	17.85	14.2	12	-1317	13
18.6	16.85	13.2	11	-1217	12
17.6	15.85	12.2	10	-1117	11
16.6	14.85	11.2	9	-1017	10
15.6	13.85	10.2	8	-0917	9
14.6	12.85	9.2	7	-0817	8
13.6	11.85	8.2	6	-0717	7
12.6	10.85	7.2	5	52610-0617	6
D	(C)	B	(A)	ENG. NO.	CKT.

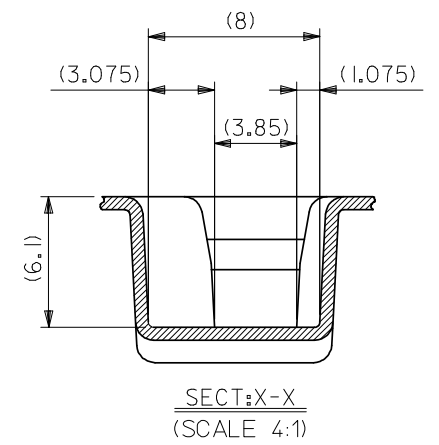
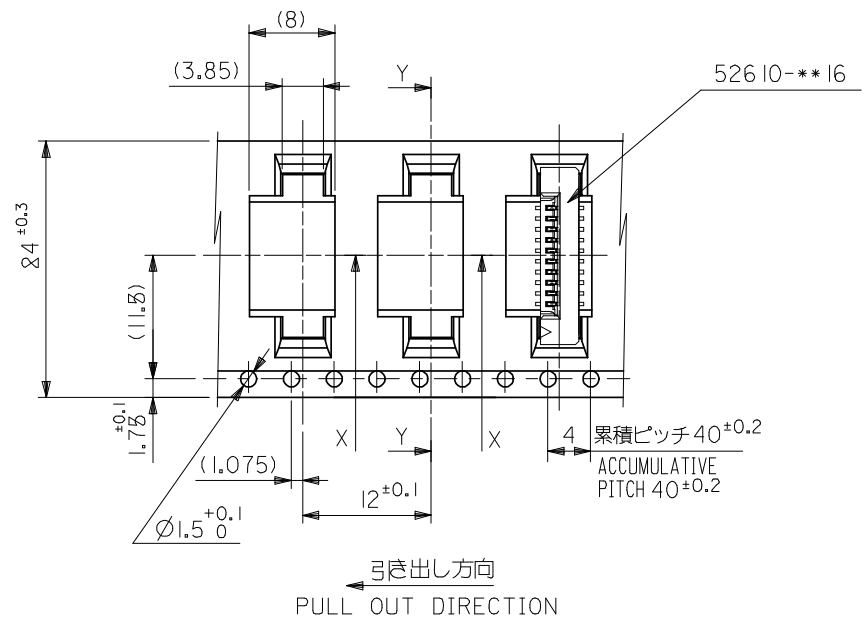
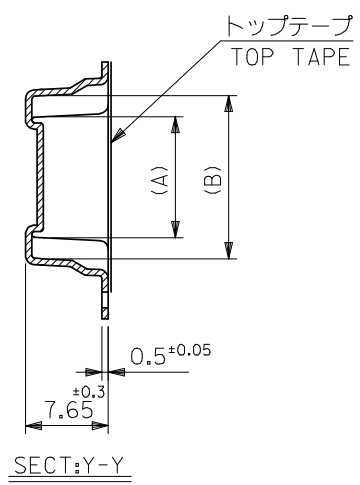
角度 ANGLE	±3°								
30以上 OVER	+0.3								
10以上 30未満 UNDER	+0.25	A	変更 (J30284)	Y.M.	H.I.	'93/3/25			
10未満 UNDER	+0.2	O	新規作成 (J21144)	Y.M.	H.I.	'92/12/9			
一般公差 GENERAL TOLERANCES		記号 LTR	変更内容 REVISION RECORD	DR.	CHK.	日付 DATE			

材料 MATERIAL	注記参照 SEE NOTES
仕上げ FINISH	—
適用電線範囲 WIRE RANGE	—
被覆外径 INS. RANGE	—
DRAWN BY '92/12/9	CHK'D BY '93/3/25
Y.MIZUNO	H.I.
APP'D BY '93/3/25	尺度 SCALE
M.FUKUSHIMA	—

MOLEX-JAPAN CO.,LTD. 日本モレックス株式会社	
REVISE ONLY ON CAD SYSTEM	
TITLE 名称 I.O FPC CONNECTOR Z.I.F. FOR SMT. (ST.)	
DWG. NO. SD-52610-**-17	SHEET 2 OF 2 REV A

10 9 8 7 6 5 4 3 2 1

F
E
D
C
B
A



24	29.4	25.4	15.25	11.32	52610-1078	10
			14.25	10.32	52610-0978	9
			13.25	9.32	52610-0878	8
			12.25	8.32	52610-0778	7
			11.25	7.32	52610-0678	6
			10.25	6.32	52610-0578	5
キャリアテープ幅 CARRIER TAPE WIDTH	D	C	(B)	(A)	MATERIAL NO.	極数 CKT.

REVISED
EC NO: J2008-0078
DRWN:KSAIT001 2008/05/30
CHKD:HMATSUMOTO 2008/05/30
APPR:NUKITA 2008/05/30

DESCRIPTION

10 UNDER	± ---
10 OVER 30 UNDER	± ---
30 OVER	± ---
ANGULAR	± --- °

DRAFT WHERE APPLICABLE
MUST REMAIN
WITHIN DIMENSIONS

GENERAL TOLERANCES
(UNLESS SPECIFIED)

DIMENSION STYLE
MM ONLY

DRAWN BY	DATE
M. NABEI	'06/09/05
CHECKED BY	DATE
K. TOYODA	'06/09/05
APPROVED BY	DATE
N. UKITA	'06/09/05

MATERIAL NO.
SEE TABLE

SIZE
A3

SCALE

DESIGN UNITS
METRIC

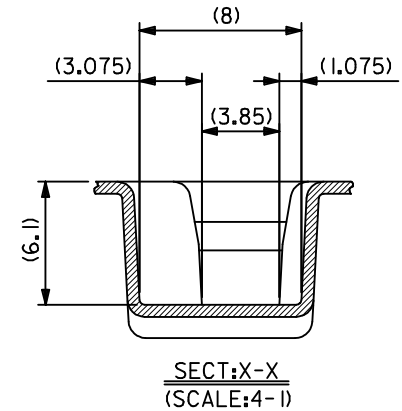
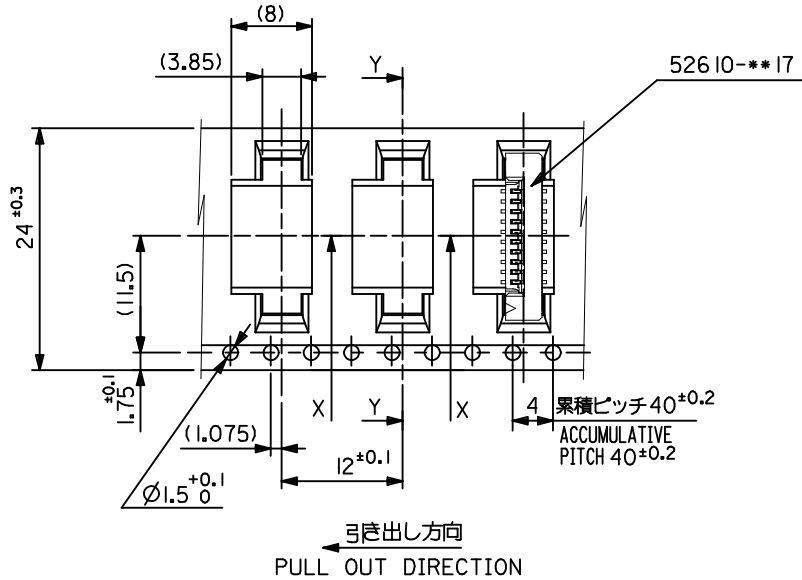
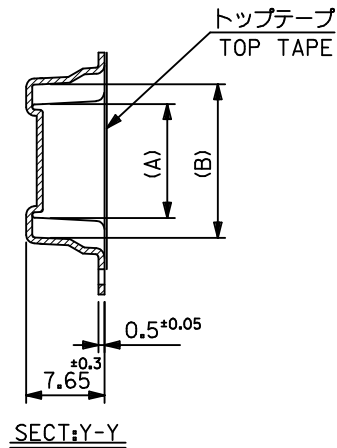
THIRD ANGLE
PROJECTION

TITLE
EMBOSSD TAPE PKG.
FOR 52610-**-16
HIGH BARRIER PKG.

moLEX MOLEX INCORPORATED

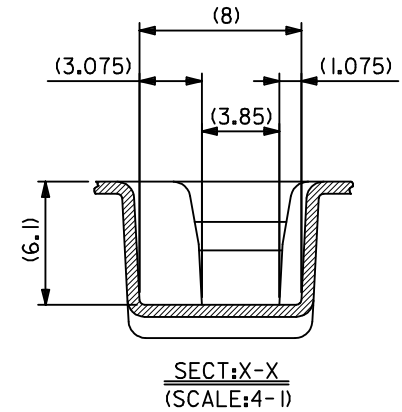
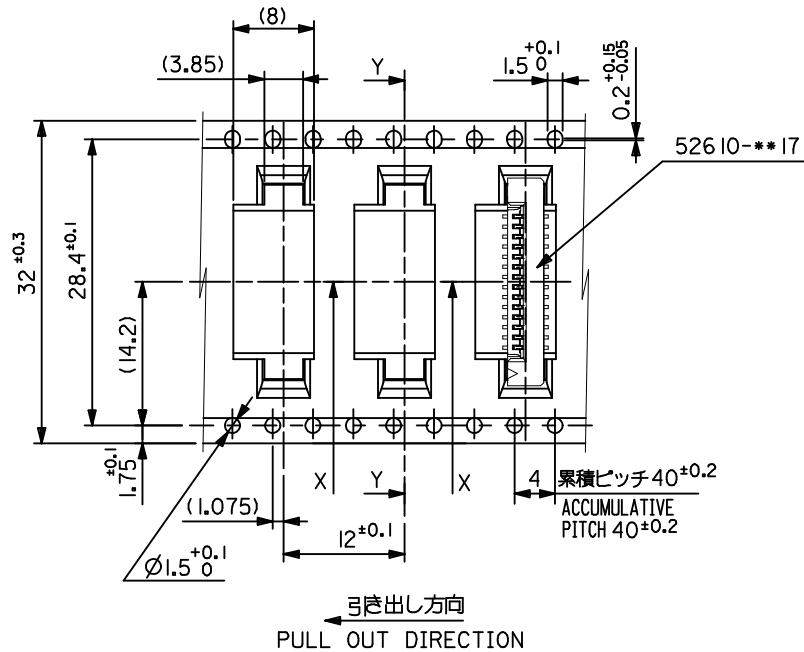
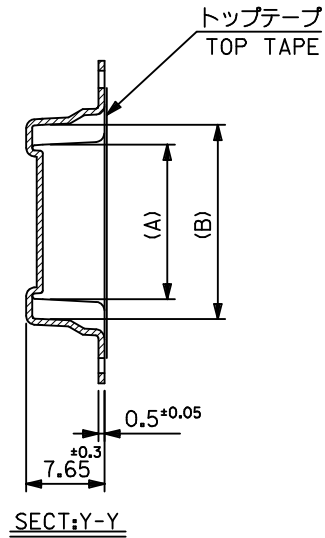
DOCUMENT NO.
SD-52610-045

SHEET NO.
2 OF 5



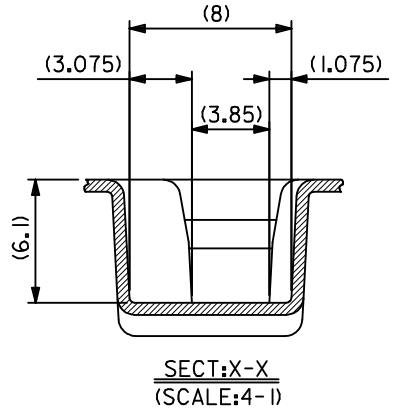
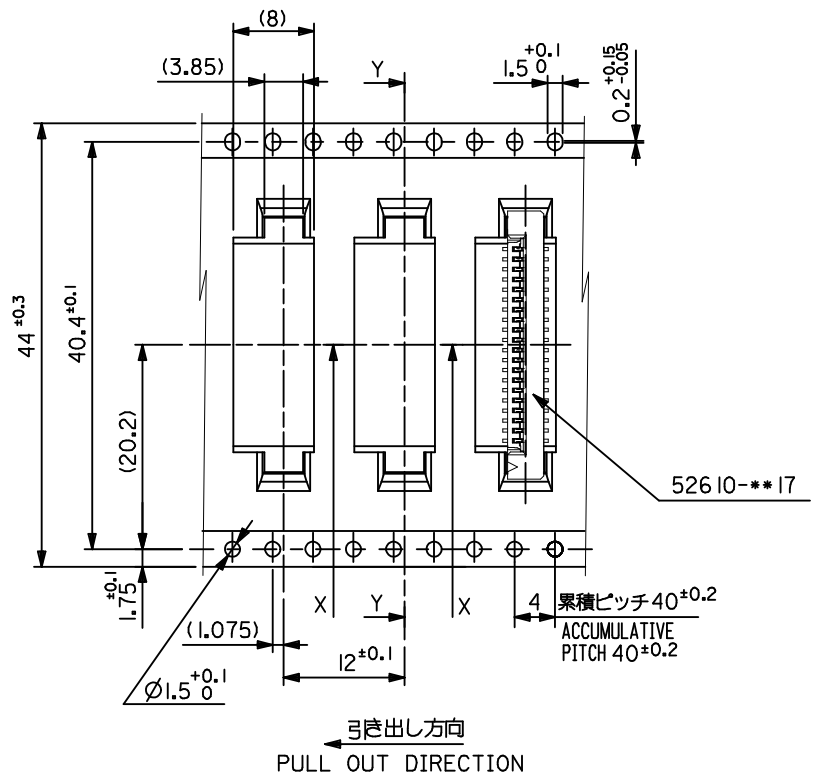
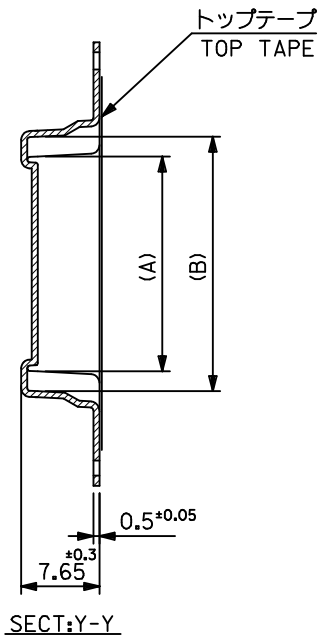
24	25.5	15.25	11.32	52610-1090	10
		13.25	9.32	52610-0890	8
		12.25	8.32	52610-0790	7
		11.25	7.32	52610-0690	6
キャリアテープ幅 CARRIER TAPE WIDTH	C	(B)	(A)	ENG. NO.	極数 CKT.

REVISED EC NO: J2013-1418 DRWN:MTAKAHASHI 04/2013/06/03 CHKD:KATAHASHI 2013/06/03 APPR:YNOGAWA 2013/07/30	DESCRIPTION	GENERAL TOLERANCES (UNLESS SPECIFIED)		DIMENSION STYLE MM ONLY		SCALE ---	DESIGN UNITS METRIC	THIRD ANGLE PROJECTION	
		10 UNDER	±0.2	DRAWN BY MTAKAHASHI 04	DATE 2013/06/03	TITLE 1.0 FPC CONN SMT ZIF EMBSTP PKG SHEET 2 OF 5			
		10 OVER 30 UNDER	±0.25	CHECKED BY KTAKAHASHI	DATE 2013/06/03				
		30 OVER	±0.3	APPROVED BY YNOGAWA	DATE 2013/07/30				
0	REV	ANGULAR ±3 °	DRAFT WHERE APPLICABLE MUST REMAIN WITHIN DIMENSIONS	MATERIAL NO. SEE CHART	DOCUMENT NO. SD-52610-052	SHEET NO. 2 OF 5			
				SIZE A3 THIS DRAWING CONTAINS INFORMATION THAT IS PROPRIETARY TO MOLEX INCORPORATED AND SHOULD NOT BE USED WITHOUT WRITTEN PERMISSION					



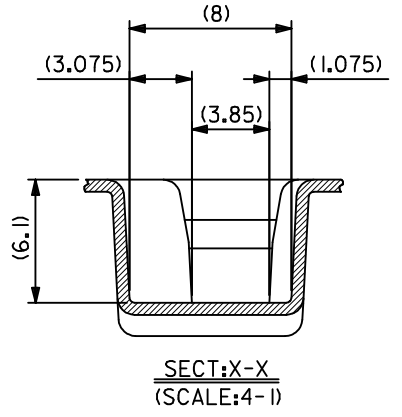
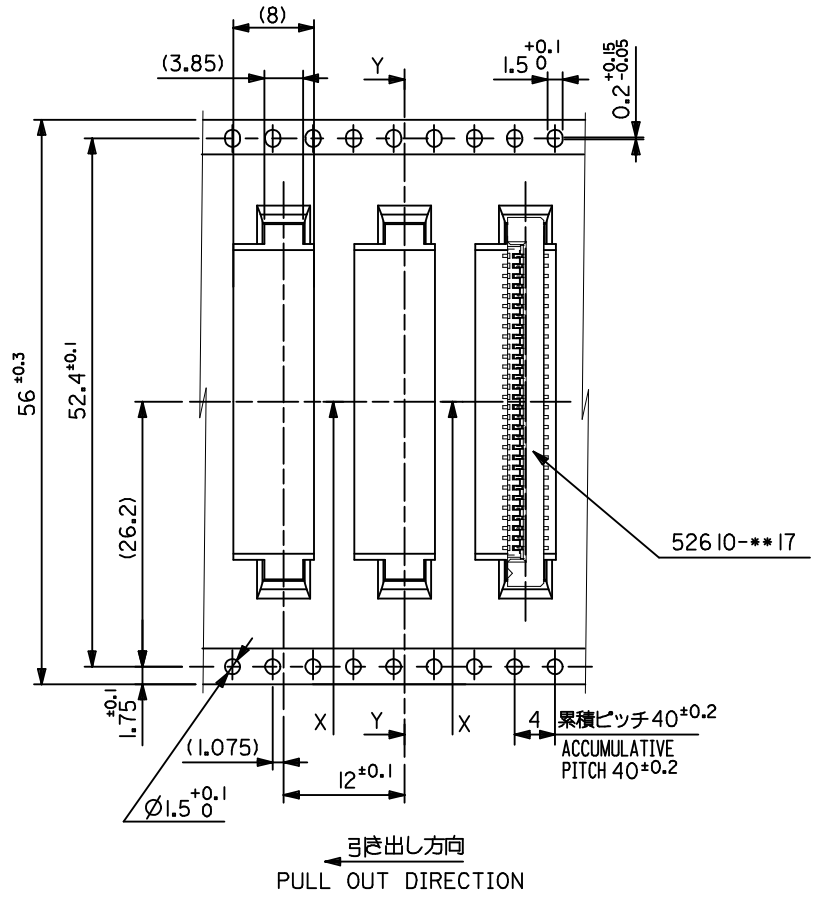
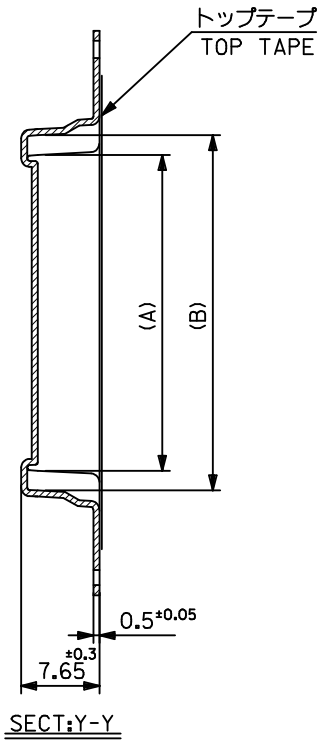
32	33.5	20.25	16.32	52610-1590	15
		19.25	15.32	52610-1490	14
キャリアテープ幅 CARRIER TAPE WIDTH	C	(B)	(A)	ENG. NO.	極数 CKT.

REVISED EC NO: J2013-1418 DRWN:MTAKAHASHI 04/2013/06/03 CHKD:KTAHASHI 2013/06/03 APPR:YNOGAWA 2013/07/30	GENERAL TOLERANCES (UNLESS SPECIFIED)		DIMENSION STYLE MM ONLY		SCALE ---	DESIGN UNITS METRIC	THIRD ANGLE PROJECTION
	10 UNDER	±0.2	DRAWN BY MTAKAHASHI 04	DATE 2013/06/03	TITLE 1.0 FPC CONN SMT ZIF EMBSTP PKG SHEET 3 OF 5		
	10 OVER 30 UNDER	±0.25	CHECKED BY KTAHASHI	DATE 2013/06/03			
	30 OVER	±0.3	APPROVED BY YNOGAWA	DATE 2013/07/30			
0	ANGULAR ±3 °	MATERIAL NO. SEE CHART		DOCUMENT NO. SD-52610-052	SHEET NO. 3 OF 5		
	DRAFT WHERE APPLICABLE MUST REMAIN WITHIN DIMENSIONS		THIS DRAWING CONTAINS INFORMATION THAT IS PROPRIETARY TO MOLEX INCORPORATED AND SHOULD NOT BE USED WITHOUT WRITTEN PERMISSION				



44	45.5	28.25	24.32	52610-2390	23
		27.25	23.32	52610-2290	22
キャリアテープ幅 CARRIER TAPE WIDTH	C	(B)	(A)	ENG. NO.	種別 CKT.

REVISED EC NO: J2013-14/18 DRWN: MTAKAHASHI 04 2013/06/03 CHKD: KTAKAHASHI 2013/06/03 APPR: YNOGAWA 2013/07/30	DESCRIPTION	GENERAL TOLERANCES (UNLESS SPECIFIED)	DIMENSION STYLE	SCALE	DESIGN UNITS	THIRD ANGLE PROJECTION
	REV	10 UNDER ±0.2	MM ONLY	---	METRIC	⊙ □
		10 OVER 30 UNDER ±0.25		DRAWN BY DATE	TITLE	
		30 OVER ±0.3		MTAKAHASHI 04 2013/06/03	1.0 FPC CONN SMT ZIF EMBSTP PKG SHEET 4 OF 5	
		ANGULAR ±3 °	CHECKED BY DATE			
		DRAFT WHERE APPLICABLE MUST REMAIN WITHIN DIMENSIONS	KTAKAHASHI 2013/06/03			
			APPROVED BY DATE			
			YNOGAWA 2013/07/30			
			MATERIAL NO.	DOCUMENT NO.		SHEET NO.
			SEE CHART	SD-52610-052		4 OF 5
			SIZE	THIS DRAWING CONTAINS INFORMATION THAT IS PROPRIETARY TO MOLEX INCORPORATED AND SHOULD NOT BE USED WITHOUT WRITTEN PERMISSION		
			A3			



56	57.5	35.25	31.32	52610-3090	30
		33.25	29.32	52610-2890	28
キャリアテープ幅 CARRIER TAPE WIDTH	C	(B)	(A)	ENG. NO.	極数 CKT.

REVISED EC NO: J2013-14/18 DRWN: MTAKAHASHI 04 2013/06/03 CHKD: KTAKAHASHI 2013/06/03 APPR: YNOGAWA 2013/07/30	GENERAL TOLERANCES (UNLESS SPECIFIED)		DIMENSION STYLE MM ONLY		SCALE ---	DESIGN UNITS METRIC	THIRD ANGLE PROJECTION
	10 UNDER	±0.2	DRAWN BY MTAKAHASHI 04	DATE 2013/06/03	TITLE 1.0 FPC CONN SMT ZIF EMBSTP PKG SHEET 5 OF 5		
	10 OVER 30 UNDER	±0.25	CHECKED BY KTAKAHASHI	DATE 2013/06/03	molex SD-52610-052 SHEET NO. 5 OF 5		
	30 OVER	±0.3	APPROVED BY YNOGAWA	DATE 2013/07/30			
ANGULAR	±3 °	MATERIAL NO. SEE CHART		DOCUMENT NO.	SHEET NO. 5 OF 5		
DRAFT WHERE APPLICABLE MUST REMAIN WITHIN DIMENSIONS		THIS DRAWING CONTAINS INFORMATION THAT IS PROPRIETARY TO MOLEX INCORPORATED AND SHOULD NOT BE USED WITHOUT WRITTEN PERMISSION					