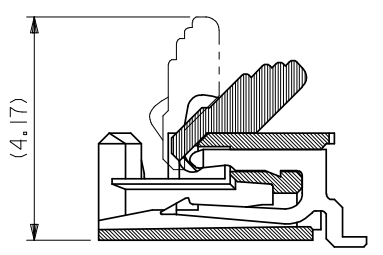
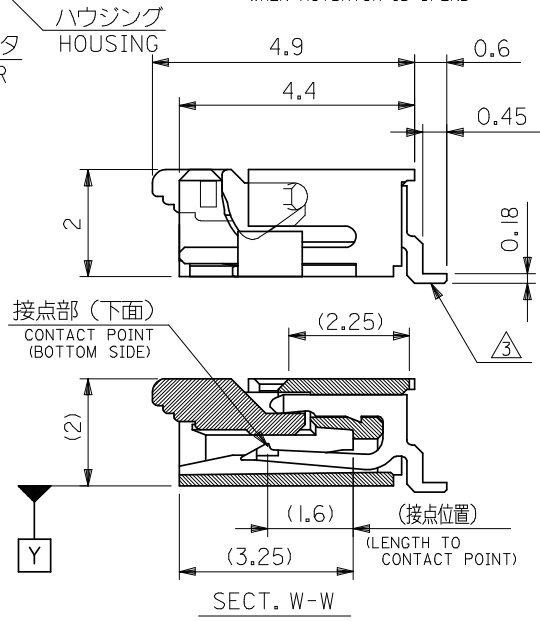


注記 NOTES

- L. 使用材料 MATERIAL**
 ハウジング: ポリアミド46, ガラス充填, UL94V-0 (白)
 HOUSING: POLYAMIDE46, GLASS FILLED, UL94V-0(WHITE)
 アクチュエータ: ポリフェニレンサルファイト, ガラス充填, UL94V-0 (茶)
 ACTUATOR: POLYPHENYLENE SULFIDE, GLASS FILLED, UL94V-0(BROWN)
 ターミナル: リン青銅 (t=0.2)
 TERMINAL: PHOSPOR BRONZE
 金具: リン青銅 (t=0.2)
 FITTING NAIL: PHOSPOR BRONZE
- 錫メッキ
 TIN: 1.0 MICROMETER MINIMUM
 ニッケル下地
 NICKEL(UNDER PLATING): 1.0 MICROMETER MINIMUM
- △ パターンはくり止め用金具
 FITTING NAIL FOR PREVENTION OF PEELING OF P.C.B. PATTERN.
 △ ソルダーテール半田付け面のスレ量、及び金具半田付け面のスレ量は、基準面 Y に対し上方向 0.05MAX.、下方向 0.2MAX. とし、相互のバラツキ量は、0.1MAX. とする。
 MISALIGNMENT OF SOLDER TAILS AND FITTING NAILS FROM Y
 UPPER DIRECTION: 0.05 MAX., LOWER DIRECTION: 0.2 MAX.
 MISALIGNMENT BETWEEN SOLDER TAILS AND FITTING NAILS: 0.1MAX.
 △ 偶数極に適用。
 APPLY FOR EVEN CIRCUIT.
 △ 18極以上は2ヶ所、10~17極はハウジングセンター上に1ヶ所とする。
 18 CKTS & MORE THAN 18 CKTS PLACED 2 POINT.
 10~17 CKTS PLACED 1 POINT ON HOUSING CENTER.



アクチュエータを開口した状態
 WHEN ACTUATOR IS OPEN



19.6	15.5	15.3	14.5	52893-3095	52893-3019	30
18.6	14.5	14.3	13.5	-2895	-2819	28
17.6	13.5	13.3	12.5	-2695	-2619	26
16.6	12.5	12.3	11.5	-2495	-2419	24
15.6	11.5	11.3	10.5	-2295	-2219	22
15.1	11.0	10.8	10.0	-2195	-2119	21
14.6	10.5	10.3	9.5	-2095	-2019	20
14.1	10.0	9.8	9.0	-1995	-1919	19
13.6	9.5	9.3	8.5	-1895	-1819	18
13.1	9.0	8.8	8.0	-1795	-1719	17
12.6	8.5	8.3	7.5	-1695	-1619	16
12.1	8.0	7.8	7.0	-1595	-1519	15
11.6	7.5	7.3	6.5	-1495	-1419	14
11.1	7.0	6.8	6.0	-1395	-1319	13
10.6	6.5	6.3	5.5	-1295	-1219	12
10.1	6.0	5.8	5.0	-1195	-1119	11
9.6	5.5	5.3	4.5	-1095	-1019	10
8.6	4.5	4.3	3.5	52893-0895	52893-0819	8
D	C	B	(A)	EMBOSSD TAPPE	MATERIAL NO.	極数
				ORDER No. オーダー番号		CIRCUIT

52893-**19 MODEL NO.

注記 NOTES

6. 本製品は 52893-**17 の鉛フリー品である。
 THIS PRODUCT IS LEAD FREE OF 52893-**17.

REVISED EC NO: J2008-4308 2008/06/27 DRWN: NABEI 2008/06/30 CHKD: THARUYAMA 2008/06/30 APPR: NUKITA 2008/06/30	GENERAL TOLERANCES (UNLESS SPECIFIED)		DIMENSION STYLE MM ONLY		SCALE ---	DESIGN UNITS METRIC	THIRD ANGLE PROJECTION
	10 UNDER	±0.2	DRAWN BY M. NAGATA	DATE '04/01/09	TITLE 0.5 FPC CONN ASSY ZIF SMT RA BTM CONT E/O TYPE -LEAD FREE-		
	10 OVER 30 UNDER	±0.25	CHECKED BY K. TOJO	DATE '04/01/09	MOLEX INCORPORATED		
	30 OVER	±0.3	APPROVED BY M. SASAO	DATE '04/01/09	DOCUMENT NO. SD-52893-040		
	ANGULAR	±3	MATERIAL NO. SEE TABLE		SHEET NO. 1 OF 2		
DRAFT WHERE APPLICABLE MUST REMAIN WITHIN DIMENSIONS		THIS DRAWING CONTAINS INFORMATION THAT IS PROPRIETARY TO MOLEX INCORPORATED AND SHOULD NOT BE USED WITHOUT WRITTEN PERMISSION					

F

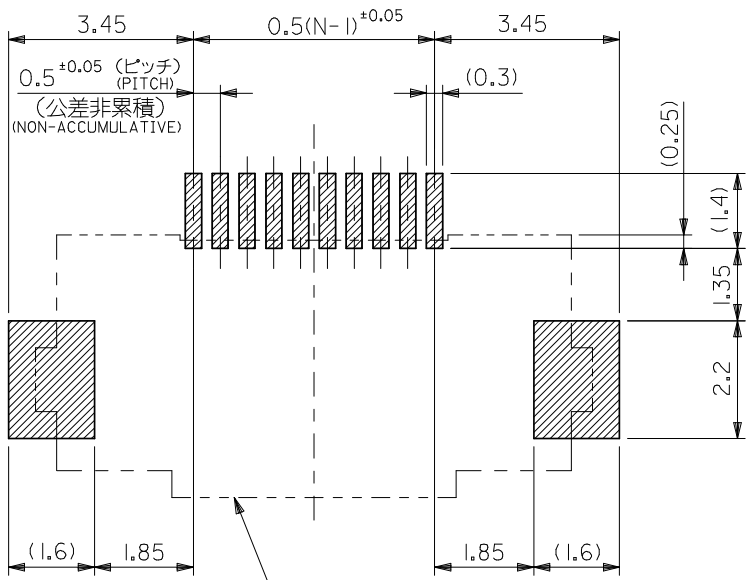
E

D

C

B

A



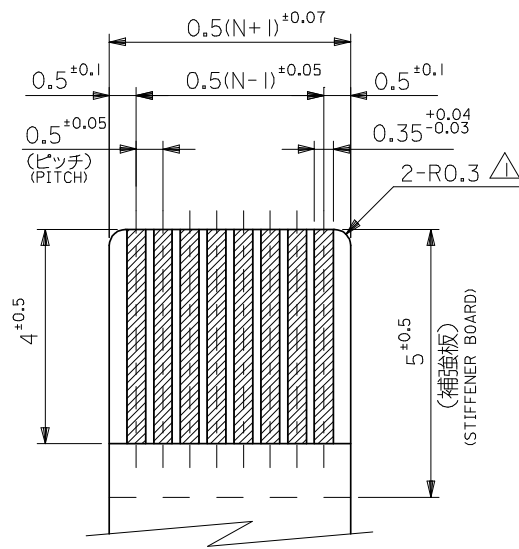
コネクタ位置
CONNECTOR POSITION

参考基板レイアウト
RECOMMENDED P.C. BOARD
PATTERN DIMENSION (REF.)

(マウント面)
(MOUNTING SIDE)

注記 NOTES

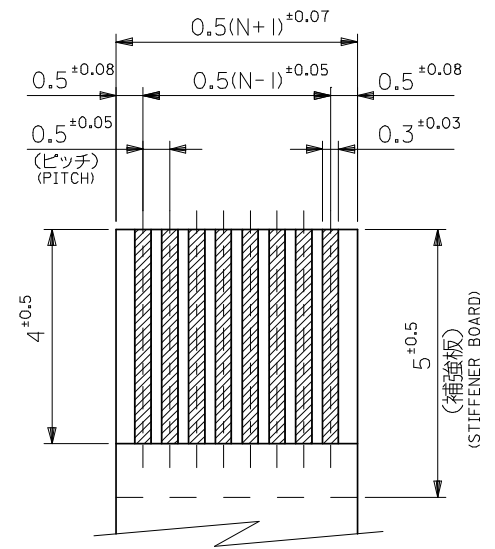
△ R0.3は、FPCの導体部にかからないこと。
R0.3 MUST NOT BE OVERLAPPED TO PATTERN OF FPC.



適合FPC推奨寸法

APPLICABLE FPC
RECOMMENDED DIMENSION

(仕上がり厚さ: 0.3 ±0.03)
(THICKNESS: 0.3 ±0.03)



適合FFC推奨寸法

APPLICABLE FFC
RECOMMENDED DIMENSION

(仕上がり厚さ: 0.3 ±0.03)
(THICKNESS: 0.3 ±0.03)

FPCについて:

打抜き方向は導体側から補強板側を推奨致します。
補強フィルム材質はポリイミドを推奨致します。
接着剤は熱硬化接着剤を推奨致します。

ABOUT FPC:

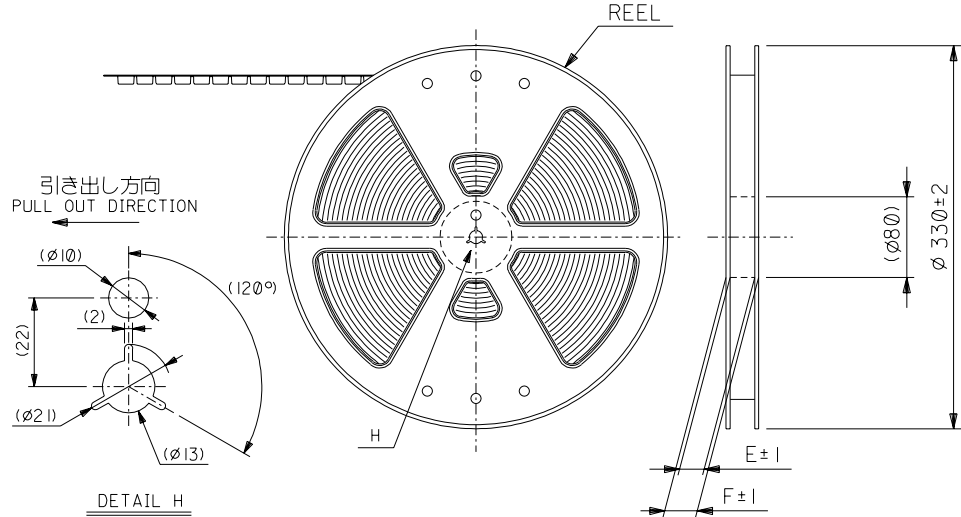
RECOMMENDED PUNCHER DIRECTION : FROM CONDUCTOR SIDE TO STIFFENER BOARD SIDE.

RECOMMENDED MATERIAL:

STIFFENER FILM : POLYIMIDE
BONDING AGENT : THERMOSETTING BONDING AGENT

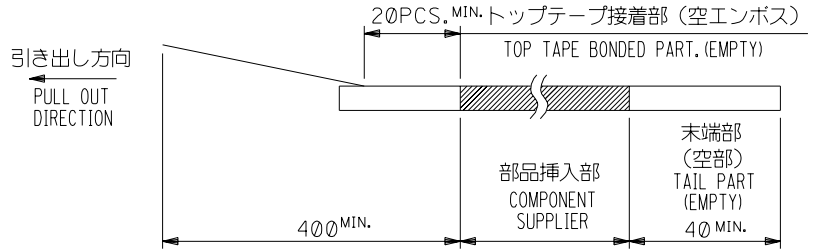
52893-**19 MODEL NO.

REVISED EC NO: J2008-4308 DRWN: NABEI 2008/06/27 CHKD: THARUYAMA 2008/06/30 APPR: NUKITA 2008/06/30	GENERAL TOLERANCES (UNLESS SPECIFIED)		DIMENSION STYLE MM ONLY		SCALE ---	DESIGN UNITS METRIC	THIRD ANGLE PROJECTION	
	10 UNDER	±0.2	DRAWN BY M. NAGATA	DATE '04/01/09	TITLE 0.5 FPC CONN ASSY ZIF SMT RA BTM CONT E/O TYPE -LEAD FREE-			
	10 OVER 30 UNDER	±0.25	CHECKED BY K. TOJO	DATE '04/01/09				
	30 OVER	±0.3	APPROVED BY M. SASAO	DATE '04/01/09	MOLEX INCORPORATED			
	ANGULAR	±3 °	MATERIAL NO.					
DRAFT WHERE APPLICABLE MUST REMAIN WITHIN DIMENSIONS		SEE SHEET 1		SD-52893-040		2 OF 2		
SIZE A3 THIS DRAWING CONTAINS INFORMATION THAT IS PROPRIETARY TO MOLEX INCORPORATED AND SHOULD NOT BE USED WITHOUT WRITTEN PERMISSION								

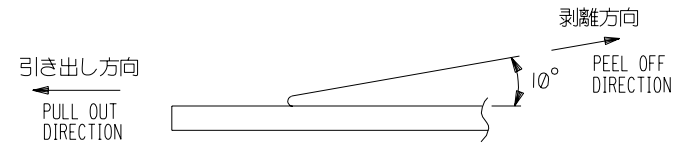


注記 NOTES

- 製品詳細寸法については図面 SD-52893-040 を参照下さい。
RE DETAILED DIMENSION, SEE SD-52893-040
- 梱包数量：1000個/リール
NUMBER OF CONNECTORS：1000PCS/REEL
- リードテープ長さ LEAD TAPE LENGTH



- トップテープの剥離強度：0.1~1.3N(10 ~ 130gf)
(剥離方向は下図参照)
尚、本規格値は出荷時に適用。(但し、輸送時に剥離が発生しないこと。)
PEELING OFF FORCE OF TOP TAPE：0.1~1.3N(10 ~ 130gf)
(PEELING DIRECTION AS SHOWN IN FOLLOWING FIG.)
THIS REQUIREMENT SHOULD BE APPLIED AT SHIPMENT.
PEEL OFF SHOULD NOT BE ALLOWED, DURING TRANSPORTATION.



- 材料 キャリアテープ：ポリプロピレン (PP)
トップテープ：PET, PE, PEF
リール：ポリスチレン (PS) <リサイクル材を含む>

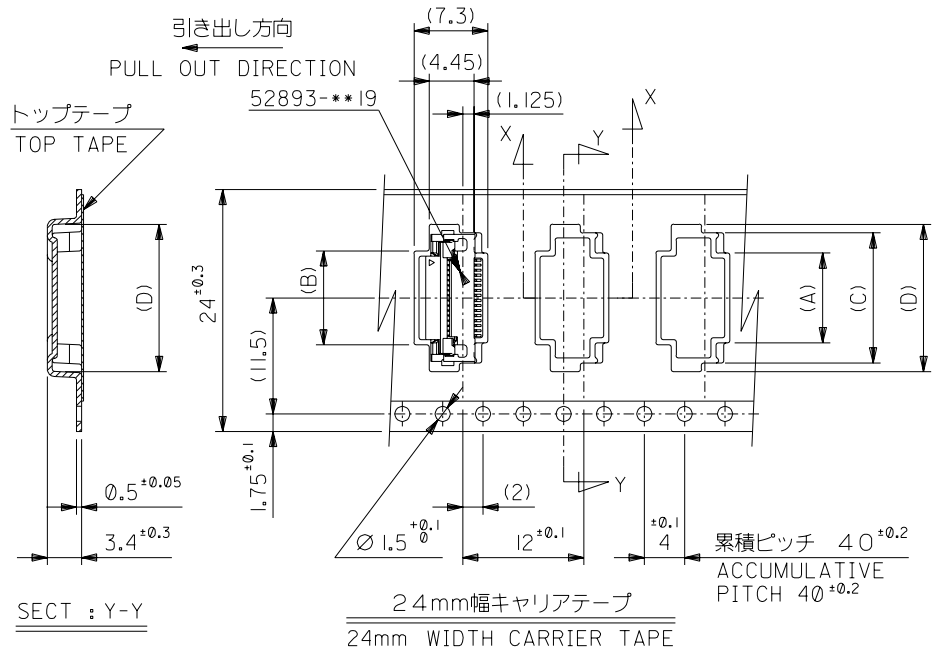
MATERIAL CARRIER TAPE:POLYPROPYLENE
TOP TAPE:PET,PE,PEF
REEL:POLYSTYRENE(PS)
<RECYCLE MATERIAL CONTAINED>

- 本製品は 52893-***90 の鉛フリー品である。
THIS PRODUCT IS LEAD FREE OF 52893-***90

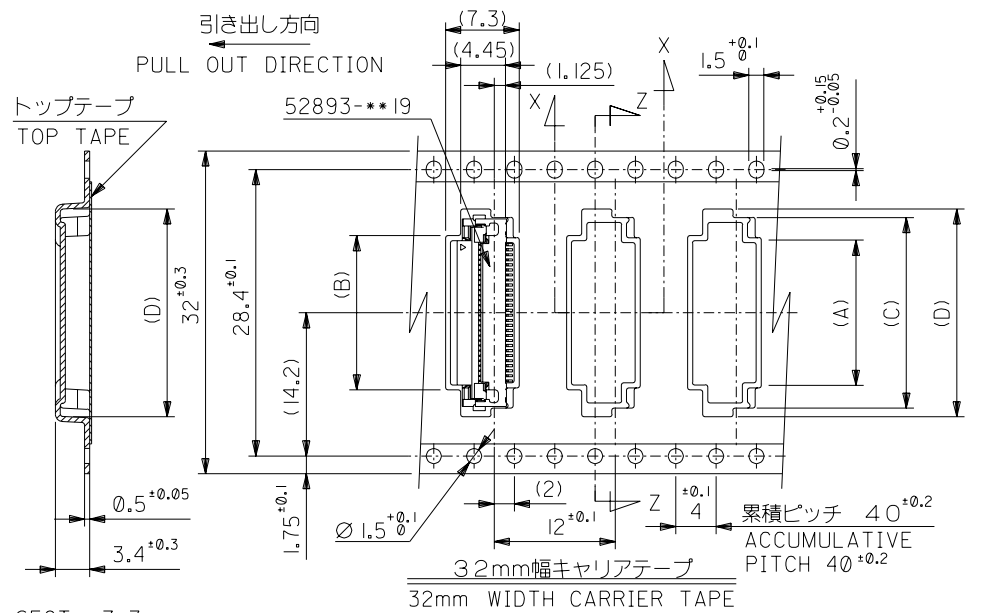
DO NOT SCALE DRAWING

64NO. DRWN: CHK: APPR:	63NO. DRWN: CHK: APPR:	62NO. DRWN: CHK: APPR:	REVISED 61NO. J2004-3551 DRWN: H.KAWABATA 04/04/07 CHK: K.TOJO 04/04/07 APPR: M.SASAO 04/04/07	RELEASED 60NO. J2004-1861 DRWN: M.NAGATA 04/01/09 CHK: K.TOJO 04/01/09 APPR: M.SASAO 04/01/09	MATERIAL 材料 注記参照 SEE NOTES	GENERAL TOLERANCES: (UNLESS SPECIFIED) 一般公差	SCALE -- DRAWN BY & DATE M.NAGATA 04/01/09	DESIGN UNITS <input checked="" type="checkbox"/> mm <input type="checkbox"/> INCH	MODEL NO. 52893-***95	DIMENSIONS: <input type="checkbox"/> mm <input type="checkbox"/> INCH <input checked="" type="checkbox"/> mm ONLY	SHT 1 OF 2 REV B

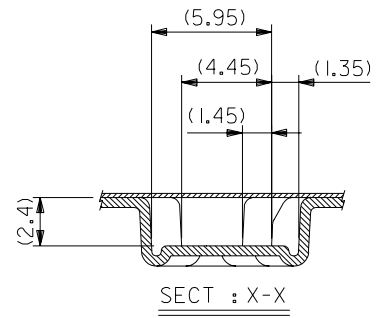
DWG. NO. SD-52893-041



SECT : Y-Y



SECT : Z-Z



SECT : X-X

32	37.4	33.4	21.6	19.9	16.1	15.9	52893-3095	30				
			20.6	18.9	15.1	14.9	-2895	28				
			19.6	17.9	14.1	13.9	-2695	26				
			18.6	16.9	13.1	12.9	-2495	24				
			17.6	15.9	12.1	11.9	-2295	22				
			17.1	15.4	11.6	11.4	-2195	21				
			16.6	14.9	11.1	10.9	-2095	20				
			16.1	14.4	10.6	10.4	-1995	19				
			15.6	13.9	10.1	9.9	-1895	18				
			15.1	13.4	9.6	9.4	-1795	17				
24	29.4	25.4	14.6	12.9	9.1	8.9	-1695	16				
			14.1	12.4	8.6	8.4	-1595	15				
			13.6	11.9	8.1	7.9	-1495	14				
			13.1	11.4	7.6	7.4	-1395	13				
			12.6	10.9	7.1	6.9	-1295	12				
			12.1	10.4	6.6	6.4	-1195	11				
			11.6	9.9	6.1	5.9	-1095	10				
			10.6	8.9	5.1	4.9	52893-0895	8				
			キャリアテープ幅 CARRIER TAPE WIDTH		F	E	(D)	(C)	(B)	(A)	MATERIAL NO.	極数 CIRCUIT

DO NOT SCALE DRAWING

164 NO. DRWN: CH'K: APPR:	163 NO. DRWN: CH'K: APPR:	162 NO. DRWN: CH'K: APPR:	REVISED 161 NO. J2004-3551 DRWN: H.KAWABATA '04/04/07 CH'K: K.TOJO '04/04/07 APPR: M.SASAO '04/04/07 RELEASED 160 NO. J2004-1861 DRWN: M.NAGATA '04/01/09 CH'K: K.TOJO '04/01/09 APPR: M.SASAO '04/01/09	MATERIAL 材料 SHEET 1 OF 2 参照 SEE SHEET 1 OF 2
DESCRIPTION				
FINISH 仕上げ				
WIRE RANGE 適用層線範囲				
INS. RANGE 被覆外径				

GENERAL TOLERANCES: (UNLESS SPECIFIED) 一般公差	SCALE DESIGN UNITS <input checked="" type="checkbox"/> mm <input type="checkbox"/> INCH 2ND ANGLE PROJECTION	MODEL NO. 52893-***95 DIMENSIONS: <input type="checkbox"/> mm <input type="checkbox"/> INCH <input checked="" type="checkbox"/> mm ONLY	SHT REV
10 UNDER 未満 ±0.2	DRAWN BY & DATE M.NAGATA '04/01/09	TITLE: 0.5 FPC Conn Assy ZIF SMT RA E0 Type Embstp pkg -LEAD FREE-	
10 OVER 30 UNDER 以上 未満 ±0.25	CHECKED BY & DATE K.TOJO '04/01/09	MOLEX INCORPORATED	
30 OVER 以上 ±0.3	APPROVED BY & DATE M.SASAO '04/01/09	CAD FILENAME SD-52893-041.S02	MATERIAL NO. SEE CHART
ANGLE 角度 ±3°	DRAWING NO. SD-52893-041	SHEET NO. 2 OF 2	SIZE B
THIS DRAWING CONTAINS INFORMATION THAT IS PROPRIETARY TO MOLEX INCORPORATED AND SHOULD NOT BE USED WITHOUT WRITTEN PERMISSION.			