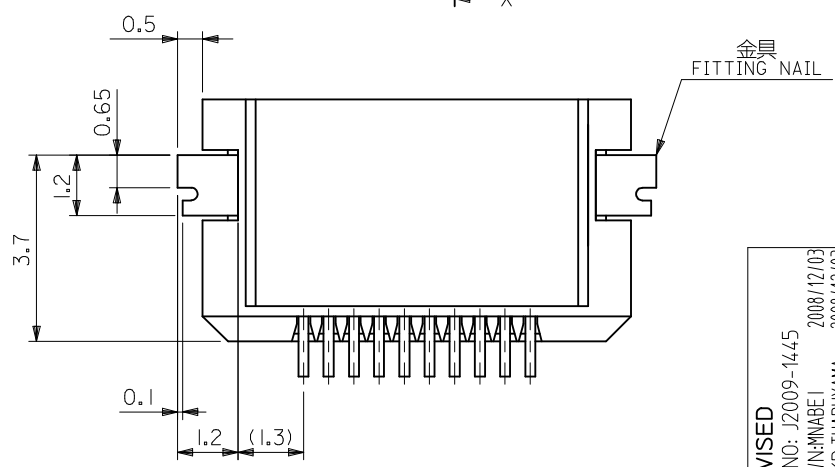
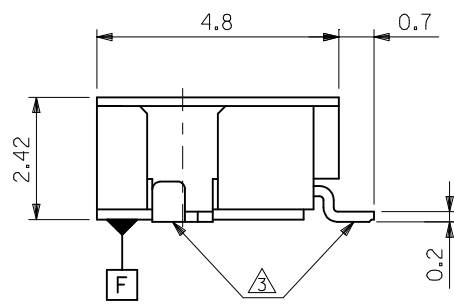
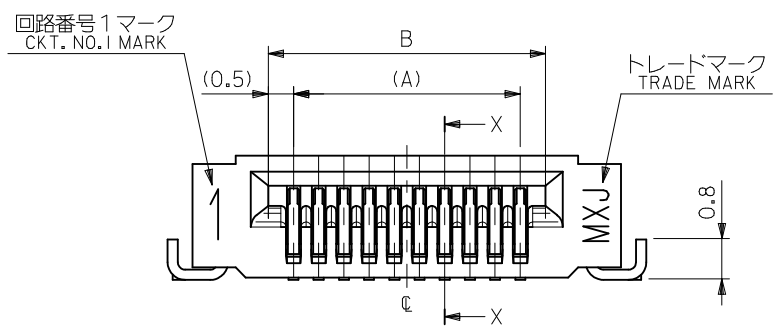


注記 NOTES

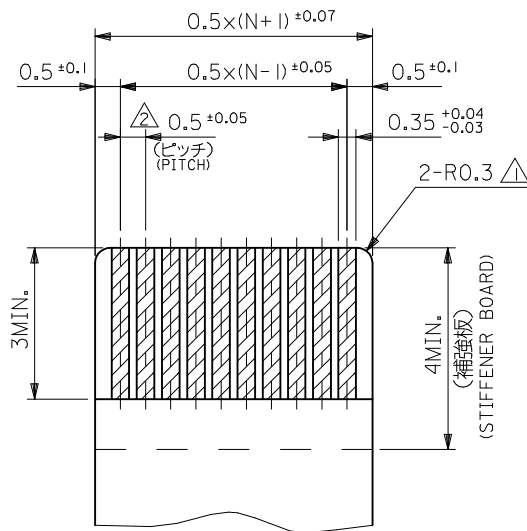
- 材質 MATERIAL
 ハウジング: PPS, UL94V-0
 HOUSING: PPS, UL94V-0
 ターミナル: リン青銅 (t=0.2)、ニッケル下地 錫ビスマスメッキ
 TERMINAL: PHOS-BRO.(t=0.2), TIN-BIMUSTH OVER NICKEL PLATING
 金具: リン青銅 (t=0.2)、ニッケル下地 錫メッキ
 FITTING NAIL: PHOS-BRO.(t=0.2), TIN OVER NICKEL PLATING
 HARF BRIGHT PLATING
 △ 偶数極に適用。
 APPLY FOR EVEN CIRCUIT.
 △ ソルダータール半田付け面及び金具半田付け面のズレ量は、基準面 F に対し、上方向 0.1 MAX. 下方向 0.15 MAX. とする。
 MISALIGNMENT OF SOLDER TAILS AND FITTING NAILS FROM F : UPPER DIRECTION 0.1 MAX. : LOWER DIRECTION 0.15 MAX.
- 本製品は 52976-**-40 の鉛フリー品である。
 THIS PRODUCT IS LEAD FREE OF 52976-**-40



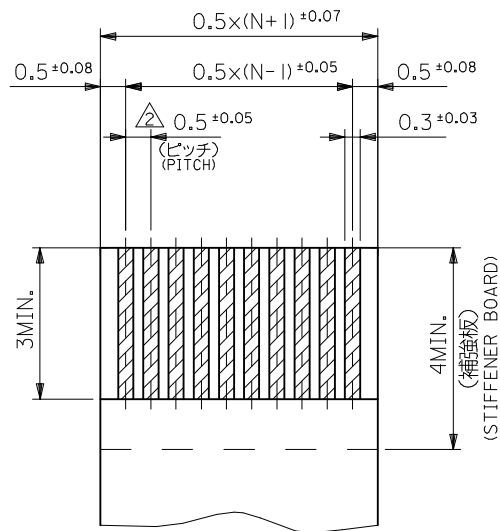
18.5	15.5	14.5	52976-3072	52976-3049	30
15.5	12.5	11.5	-2472	-2449	24
14.0	11.0	10.0	-2172	-2149	21
13.0	10.0	9.0	-1972	-1949	19
12.5	9.5	8.5	-1872	-1849	18
12.0	9.0	8.0	-1772	-1749	17
11.5	8.5	7.5	-1672	-1649	16
11.0	8.0	7.0	-1572	-1549	15
10.5	7.5	6.5	-1472	-1449	14
9.5	6.5	5.5	-1272	-1249	12
8.5	5.5	4.5	-1072	-1049	10
8.0	5.0	4.0	-0972	-0949	9
7.5	4.5	3.5	-0872	-0849	8
6.5	3.5	2.5	52976-0672	52976-0649	6

52976-**-49 MODEL NO.

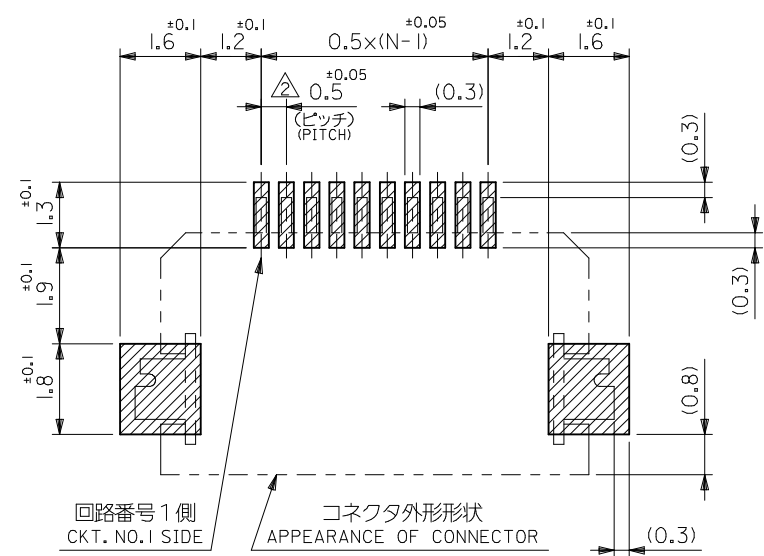
REVISED EC NO: J2009-1445 DRWN:MMABEI 2008/12/03 CHKD:THARUYAMA 2008/12/03 APPR:NUKITA 2008/12/03	GENERAL TOLERANCES (UNLESS SPECIFIED)		DIMENSION STYLE MM ONLY		SCALE ---	DESIGN UNITS METRIC	THIRD ANGLE PROJECTION
	10 UNDER	±0.2	DRAWN BY HSHIMABUKURO	DATE '04/03/01	TITLE 0.5 FFC/FPC CONN NON-ZIF HSG ASSY(BOTTOM CONTACT) -LEAD FREE-		
	10 OVER 30 UNDER	±0.25	CHECKED BY K. TOJO	DATE '04/03/01	MOLEX INCORPORATED		
	30 OVER	±0.3	APPROVED BY M. SASAO	DATE '04/03/01	DOCUMENT NO. SD-52976-010		
	ANGULAR ±3 °	DRAFT WHERE APPLICABLE MUST REMAIN WITHIN DIMENSIONS		MATERIAL NO. SEE TABLE		SHEET NO. 1 OF 2	
		THIS DRAWING CONTAINS INFORMATION THAT IS PROPRIETARY TO MOLEX INCORPORATED AND SHOULD NOT BE USED WITHOUT WRITTEN PERMISSION					



適合FPC推奨寸法
 APPLICABLE FPC
 RECOMMENDED DIMENSION
 (仕上がり厚さ : 0.3±0.03)
 (THICKNESS : 0.3±0.03)



適合FFC推奨寸法
 APPLICABLE FFC
 RECOMMENDED DIMENSION
 (仕上がり厚さ : 0.3±0.03)
 (THICKNESS : 0.3±0.03)



参考基板レイアウト
 REFERENCE P.C.BOARD
 PATTERN DIMENSION
 (マウント面)
 (MOUNTING SIDE)

注記 NOTES

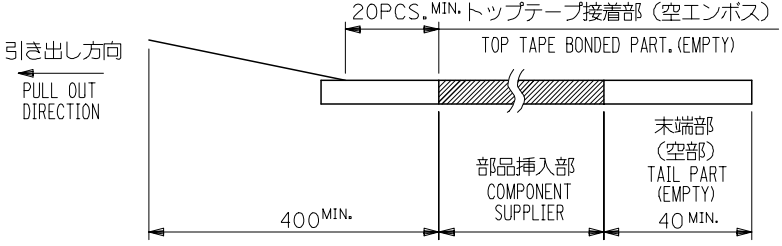
- △ R0.3 は、FPCの導体部にかからないこと。
 R0.3 MUST NOT BE OVERLAPPED TO PATTERN OF FPC.
- △ 公差非累積のこと。
 NON-ACCUMULATIVE.
- 3. FPCについて：
 打抜き方向は導体側から補強板を推奨致します。
 補強フィルム材質はポリイミドを推奨致します。
 接着剤は熱硬化接着剤を推奨致します。
 ABOUT FPC:
 RECOMMENDED PUNCHER DIRECTION : FROM CONDUCTOR SIDE TO STIFFENER BOARD SIDE.
 RECOMMENDED MATERIAL :
 STIFFENER FILM : POLYIMIDE
 BONDING AGENT : THERMOSETTING BONDING AGENT

52976-***49 MODEL NO.

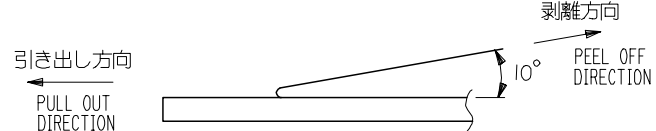
REVISED EC NO: J2009-1445 DRWN:MMABEI 2008/12/03 CHKD:THARUYAMA 2008/12/03 APPR:NUKITA 2008/12/03	GENERAL TOLERANCES (UNLESS SPECIFIED)		DIMENSION STYLE MM ONLY	SCALE ---	DESIGN UNITS METRIC	THIRD ANGLE PROJECTION
	10 UNDER	±0.2	DRAWN BY HSHIMABUKURO	DATE '04/03/01	TITLE 0.5 FFC/FPC CONN NON-ZIF HSG ASSY(BOTTOM CONTACT) -LEAD FREE-	
	10 OVER 30 UNDER	±0.25	CHECKED BY K. TOJO	DATE '04/03/01	MOLEX INCORPORATED	
	30 OVER	±0.3	APPROVED BY M. SASAO	DATE '04/03/01	DOCUMENT NO. SD-52976-010	SHEET NO. 2 OF 2
REV	DESCRIPTION	ANGULAR ±3 °	MATERIAL NO. SEE SHEET 1	THIS DRAWING CONTAINS INFORMATION THAT IS PROPRIETARY TO MOLEX INCORPORATED AND SHOULD NOT BE USED WITHOUT WRITTEN PERMISSION		
DRAFT WHERE APPLICABLE MUST REMAIN WITHIN DIMENSIONS		SIZE A3				

NOTES

- 1. 梱包数量：1000個/リール
NUMBER OF CONNECTORS : 1000PCS/REEL
- 2. リードテープ長さ LEAD TAPE LENGTH

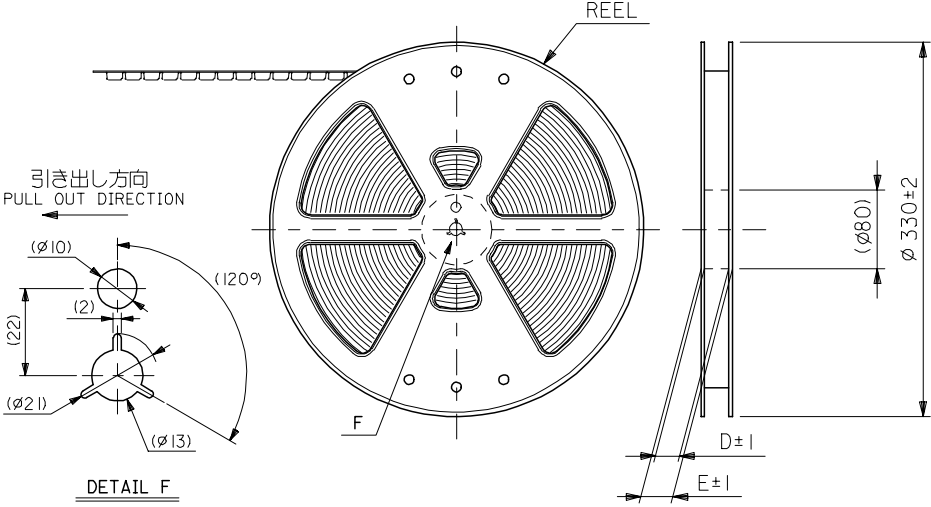


- 3. トップテープの剥離強度：0.1N ~ 1.3N(10gf ~ 130gf)
(剥離方向は下図参照)
尚、本規格値は出荷時に適用。(但し、輸送時に剥離が発生しないこと。)
PEELING OFF FORCE OF TOP TAPE : 0.1N ~ 1.3N(10gf ~ 130gf)
(PEELING DIRECTION AS SHOWN IN FOLLOWING FIG.)
THIS REQUIREMENT SHOULD BE APPLIED AT SHIPMENT.
PEEL OFF SHOULD NOT BE ALLOWED , DURING TRANSPORTATION.



- 4. 材料 キャリアテープ：ポリプロピレン (PP)
トップテープ：PET, PE, PEF
リール：ポリスチレン (PS) <リサイクル材を含む>
MATERIAL CARRIER TAPE:POLYPROPYLENE
TOP TAPE:PET,PE,PEF
REEL:POLYSTYREN(PS)
<RECYCLE MATERIAL CONTAINED>

- 5. 本製品は 52976-**-92 の鉛フリー品である。
THIS PRODUCT IS LEAD FREE OF 52976-**-92



引き出し方向
PULL OUT DIRECTION

DETAIL F

52976-**-72 MODEL NO.

REVISED EC NO: J2008-1372 DRW:HYAJIMA 2007/10/23 CHKD:THARUYAMA 2007/10/23 APPR:NUKITA 2007/10/23	GENERAL TOLERANCES (UNLESS SPECIFIED)		DIMENSION STYLE MM ONLY	SCALE ---	DESIGN UNITS METRIC	THIRD ANGLE PROJECTION
	10 UNDER	±0.2	DRAWN BY H. SHIMABUKUR	DATE 2004/03/01	TITLE 0.5 FPC CONN NON ZIF HOUSING ASSY EMBSTP PKG -LEAD FREE-	
	10 OVER 30 UNDER	±0.25	CHECKED BY K. TOJO	DATE 2004/03/01	MOLEX INCORPORATED	
	30 OVER	±0.3	APPROVED BY M. SASAO	DATE 2004/03/01	DOCUMENT NO. SD-52976-011	SHEET NO. 1 OF 2
	ANGULAR	±3 °	MATERIAL NO. SEE SHEET 2			
A	DRAFT WHERE APPLICABLE MUST REMAIN WITHIN DIMENSIONS		SIZE A3	THIS DRAWING CONTAINS INFORMATION THAT IS PROPRIETARY TO MOLEX INCORPORATED AND SHOULD NOT BE USED WITHOUT WRITTEN PERMISSION		

10 9 8 7 6 5 4 3 2 1

F

E

D

C

B

A

F

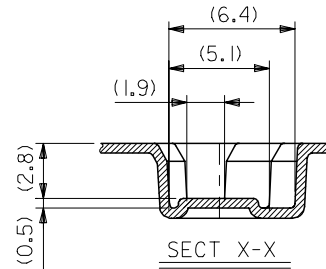
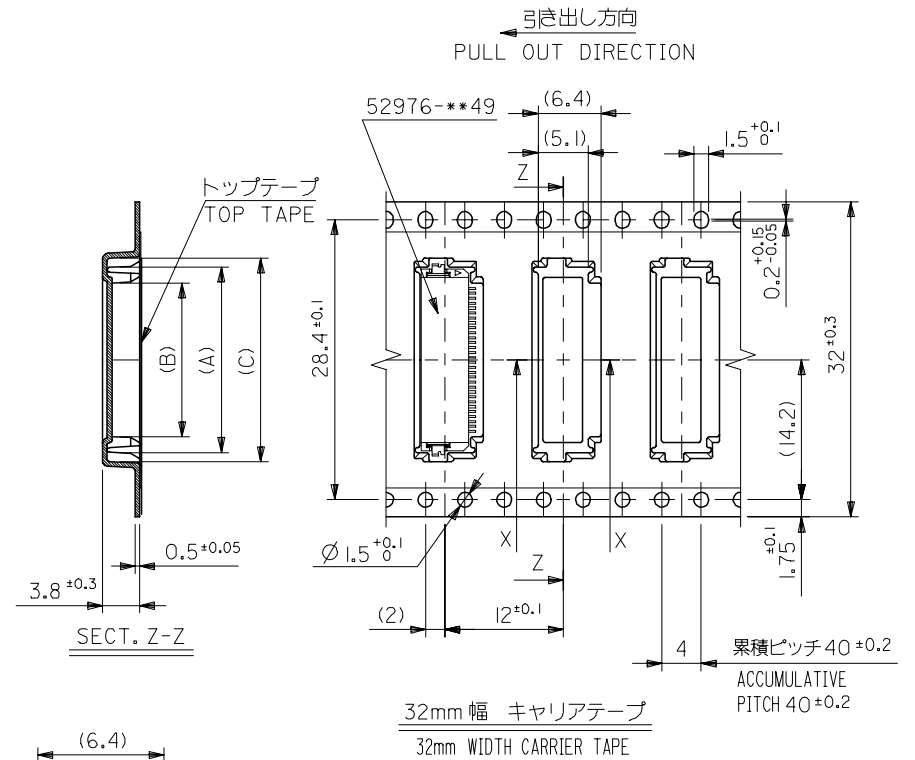
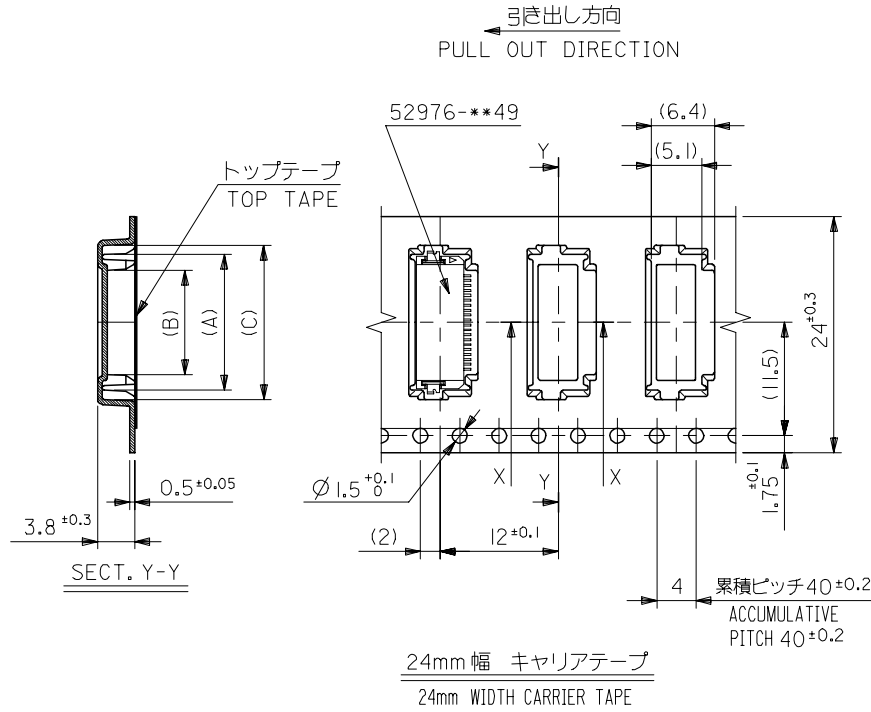
E

D

C

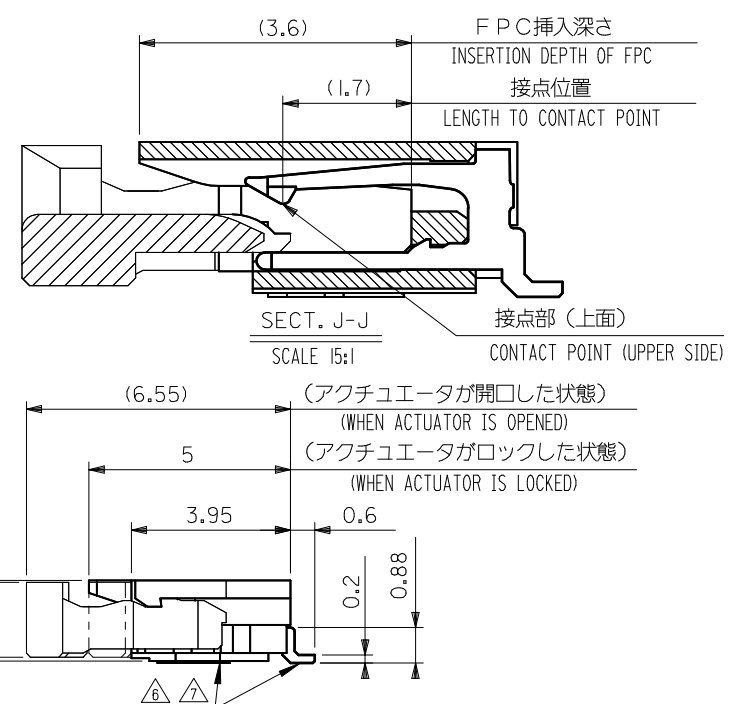
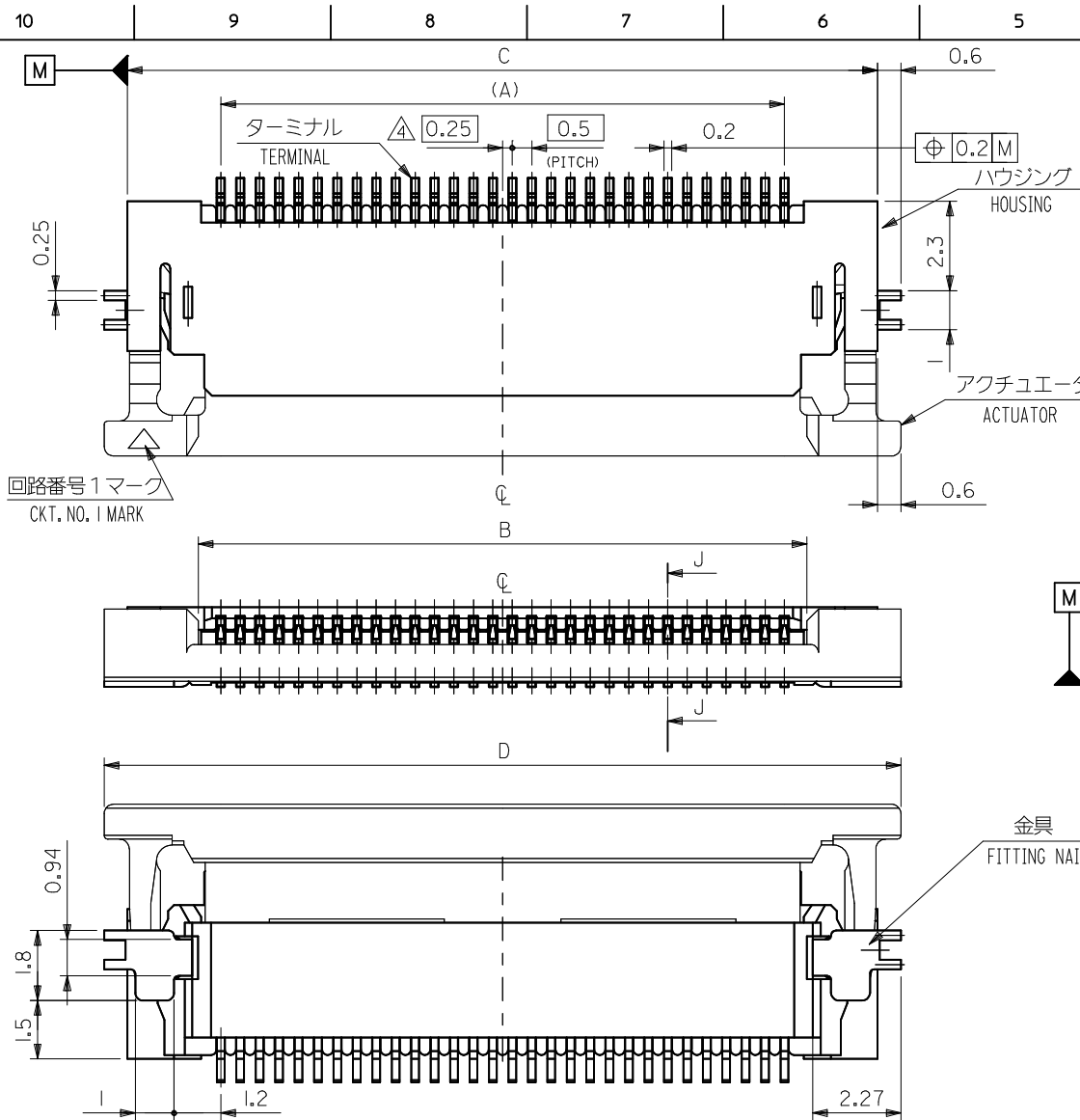
B

A



32	37.4	33.4	20.7	15.6	18.8	52976-3072	30
			17.7	12.6	15.8	52976-2472	24
24	29.4	25.4	16.2	11.1	14.3	52976-2172	21
			15.2	10.1	13.3	52976-1972	19
			14.7	9.6	12.8	52976-1872	18
			14.2	9.1	12.3	52976-1772	17
			13.7	8.6	11.8	52976-1672	16
			13.2	8.1	11.3	52976-1572	15
			12.7	7.6	10.8	52976-1472	14
			11.7	6.6	9.8	52976-1272	12
			10.7	5.6	8.8	52976-1072	10
			10.2	5.1	8.3	52976-0972	9
	9.7	4.6	7.8	52976-0872	8		
	8.7	3.6	6.8	52976-0672	6		
			(C)	(B)	(A)	MATERIAL NO.	極数 CKT.

REVISED EC NO: J2008-1372 DRW: HAJIMA 2007/10/23 CHKD: THARUYAMA 2007/10/23 APPR: NUKITA 2007/10/23	GENERAL TOLERANCES (UNLESS SPECIFIED)		DIMENSION STYLE MM ONLY	SCALE ---	DESIGN UNITS METRIC	THIRD ANGLE PROJECTION
	10 UNDER	± 0.2	DRAWN BY H. SHIMABUKUR	DATE 2004/03/01	TITLE 0.5 FPC CONN NON ZIF HOUSING ASSY EMBSTP PKG -LEAD FREE-	
	10 OVER 30 UNDER	± 0.25	CHECKED BY K. TOJO	DATE 2004/03/01	MOLEX INCORPORATED	
	30 OVER	± 0.3	APPROVED BY M. SASAO	DATE 2004/03/01	DOCUMENT NO. SD-52976-011	
	ANGULAR	± 3 °	MATERIAL NO.		SHEET NO. 2 OF 2	
	DRAFT WHERE APPLICABLE MUST REMAIN WITHIN DIMENSIONS		SEE TABLE			
	THIS DRAWING CONTAINS INFORMATION THAT IS PROPRIETARY TO MOLEX INCORPORATED AND SHOULD NOT BE USED WITHOUT WRITTEN PERMISSION					



30.5	29.3	25.65	24.5	54104-5033	50
28.5	27.3	23.65	22.5	54104-4633	46
28.0	26.8	23.15	22.0	54104-4533	45
25.5	24.3	20.65	19.5	54104-4033	40
24.5	23.3	19.65	18.5	54104-3833	38
23.5	22.3	18.65	17.5	54104-3633	36
23.0	21.8	18.15	17.0	54104-3533	35
22.5	21.3	17.65	16.5	54104-3433	34
22.0	20.8	17.15	16.0	54104-3333	33
21.5	20.3	16.65	15.5	54104-3233	32
20.5	19.3	15.65	14.5	54104-3033	30
D	C	B	A	オーダー番号 ORDER NO.	CKT.

CONNECTOR SERIES NO. 54104-**22

RELEASED EC NO: J2013-1133 DRWN:NASUNUMA 2013/04/10 CHKD:KAKAHASHI 2013/04/11 APPR:KMORIKAWA 2013/04/16	GENERAL TOLERANCES (UNLESS SPECIFIED)		DIMENSION STYLE	SCALE	DESIGN UNITS	THIRD ANGLE PROJECTION 0.5MM FPC CONN ZIF R/A HOUSING ASSY (UPPER CONTACT) molex DOCUMENT NO. SD-54104-083 SHEET NO. 1 OF 2
	10 UNDER ± ---		MM ONLY	---	METRIC	
	10 OVER 30 UNDER ± ---		DRAWN BY DATE	TITLE		
	30 OVER ± ---		CHECKED BY DATE	0.5MM FPC CONN ZIF R/A HOUSING ASSY (UPPER CONTACT)		
A	ANGULAR ± --- °		APPROVED BY DATE	MATERIAL NO.		
	DRAFT WHERE APPLICABLE MUST REMAIN WITHIN DIMENSIONS		DATE	SEE CHART		
			DATE	THIS DRAWING CONTAINS INFORMATION THAT IS PROPRIETARY TO MOLEX INCORPORATED AND SHOULD NOT BE USED WITHOUT WRITTEN PERMISSION		