

注記 NOTES

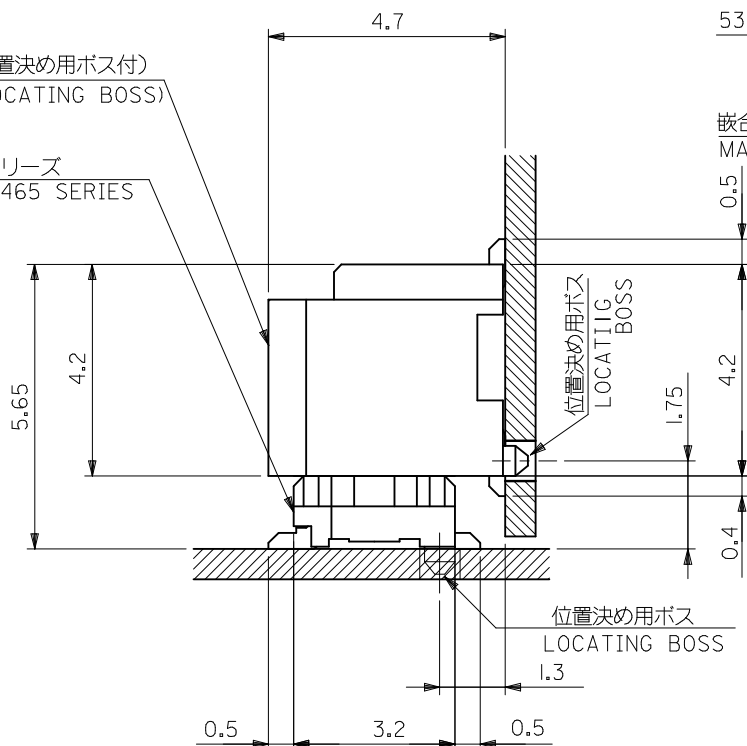
1. 嵌合相手: 52465,52588 シリーズ
MATE WITH : 52465,52588 SERIES
2. ウエハーの C から隣接するピンの C 迄の位置を示す。
SHOW POSITION FROM C OF WAFER TO C OF ADJACENT PINS.
3. 本製品は 53309-**17 の鉛フリー品である。
THIS PRODUCT IS LEAD FREE OF 53309-**17.

REVISED EC NO: J2014-0465 DRWN: YISHIDA 2013/09/12 CHKD: TASAKAWA 2013/09/12 APPR: TASAKAWA 2013/09/13	DESCRIPTION	GENERAL TOLERANCES (UNLESS SPECIFIED)	DIMENSION STYLE MM ONLY	SCALE ---	DESIGN UNITS METRIC	THIRD ANGLE PROJECTION
	REV	10 UNDER ±0.2 10 OVER 30 UNDER ±0.25 30 OVER ±0.3	DRAWN BY HKAWABATA	DATE 2004/03/10	TITLE 0.8 B/B CONN SMT WITH BOSS -LEAD FREE-	MATERIAL NO. 53309-1019 極数 CKT. 10
		ANGULAR ±3 °	CHECKED BY KTOJO	DATE 2004/03/10	DRAWN BY DATE 2004/03/10	
	A	DRAFT WHERE APPLICABLE MUST REMAIN WITHIN DIMENSIONS	APPROVED BY MSASAO	DATE 2004/03/10		MATERIAL NO. SEE DRAWING

THIS DRAWING CONTAINS INFORMATION THAT IS PROPRIETARY TO MOLEX INCORPORATED AND SHOULD NOT BE USED WITHOUT WRITTEN PERMISSION

53309-***19 (位置決め用ボス付)
(WITH LOCATING BOSS)

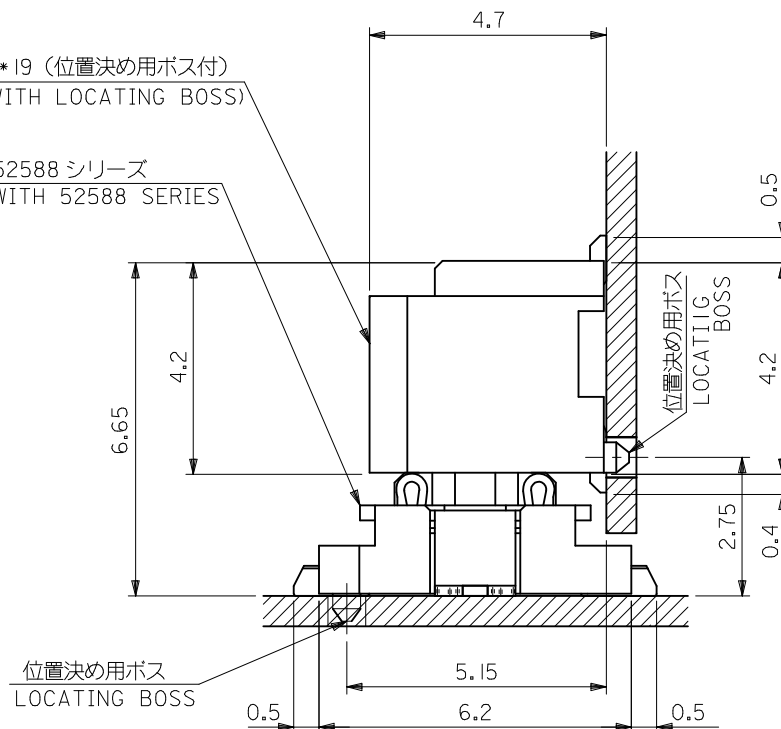
嵌合相手 52465 シリーズ
MATES WITH 52465 SERIES



嵌合状態図 (参考)
MATED DRAWING(REF.)

53309-***19 (位置決め用ボス付)
(WITH LOCATING BOSS)

嵌合相手 52588 シリーズ
MATES WITH 52588 SERIES



嵌合状態図 (参考)
MATED DRAWING(REF.)

MODEL NO. 53309-***19

DESIGN UNITS METRIC THIRD ANGLE PROJECTION

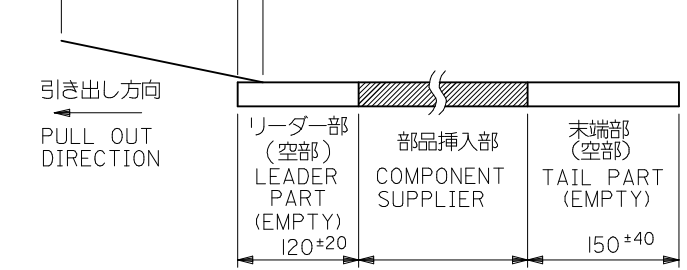
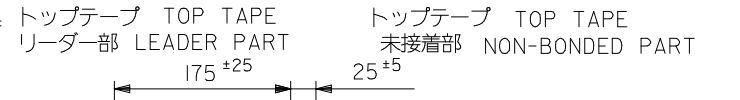
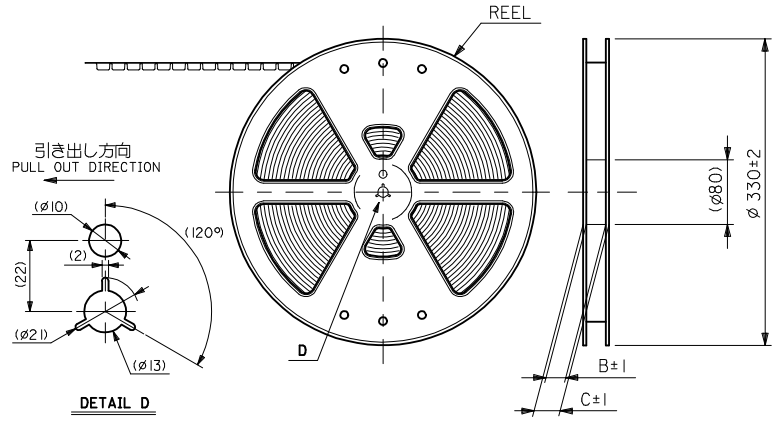
REVISED EC NO: J2014-0465 DRWN: Y. SHIDA 2013/09/13 CHKD: T. SAKAWA 2013/09/13 APPR: T. SAKAWA 2013/09/13	GENERAL TOLERANCES (UNLESS SPECIFIED)	
	10 UNDER	±0.2
	10 OVER 30 UNDER	±0.25
	30 OVER	±0.3
	ANGULAR	±3°
	DRAFT WHERE APPLICABLE MUST REMAIN WITHIN DIMENSIONS	

DIMENSION STYLE MM ONLY	
DRAWN BY	DATE
HKAWABATA	2004/03/10
CHECKED BY	DATE
KTOJO	2004/03/10
APPROVED BY	DATE
MSASAO	2004/03/10
MATERIAL NO.	
REFER TO SHEET 1 OF 2	
SIZE	A3

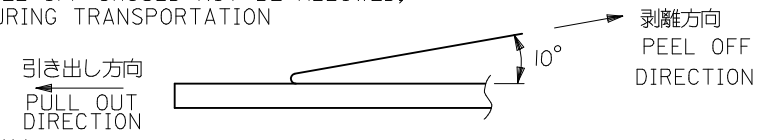
TITLE	
0.8 B/B CONN SMT WITH BOSS -LEAD FREE-	
molex	
DOCUMENT NO.	SHEET NO.
SD-53309-013	2 OF 2
THIS DRAWING CONTAINS INFORMATION THAT IS PROPRIETARY TO MOLEX INCORPORATED AND SHOULD NOT BE USED WITHOUT WRITTEN PERMISSION	

1. 梱包数量：1000個/リール NUMBER OF CONNECTORS:1000PCS/REEL
2. リードテープ長さ LEAD TAPE LENGTH

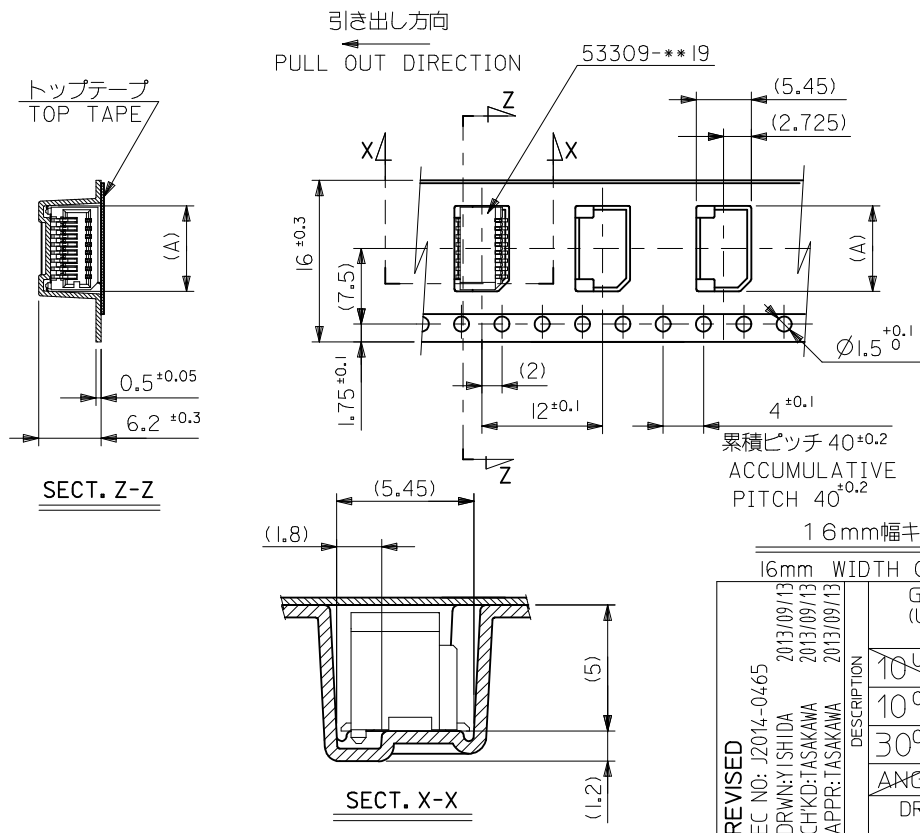
注記 NOTES



3. トップテープの剥離強度：(剥離方向は下図参照)
 0.1~1.3N {10~130gf} 尚、本規格値は、出荷時に適用。
 (但し、輸送時に剥離が発生しない事。)
 PEELING OFF FORCE OF TOP TAPE
 0.1~1.3N {10~130gf} (PEELING DIRECTION AS SHOWN IN FOLLOWING FIG.)
 THIS REQUIREMENT SHOULD BE APPLIED AT SHIPMENT
 PEEL OFF SHOULD NOT BE ALLOWED,
 DURING TRANSPORTATION

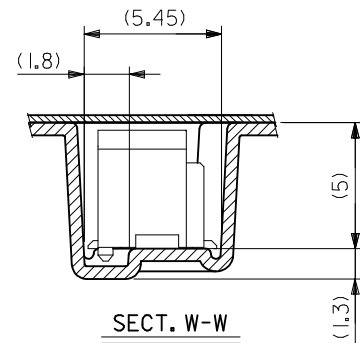
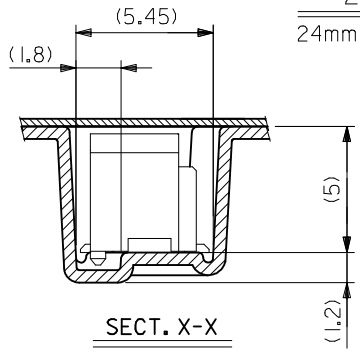
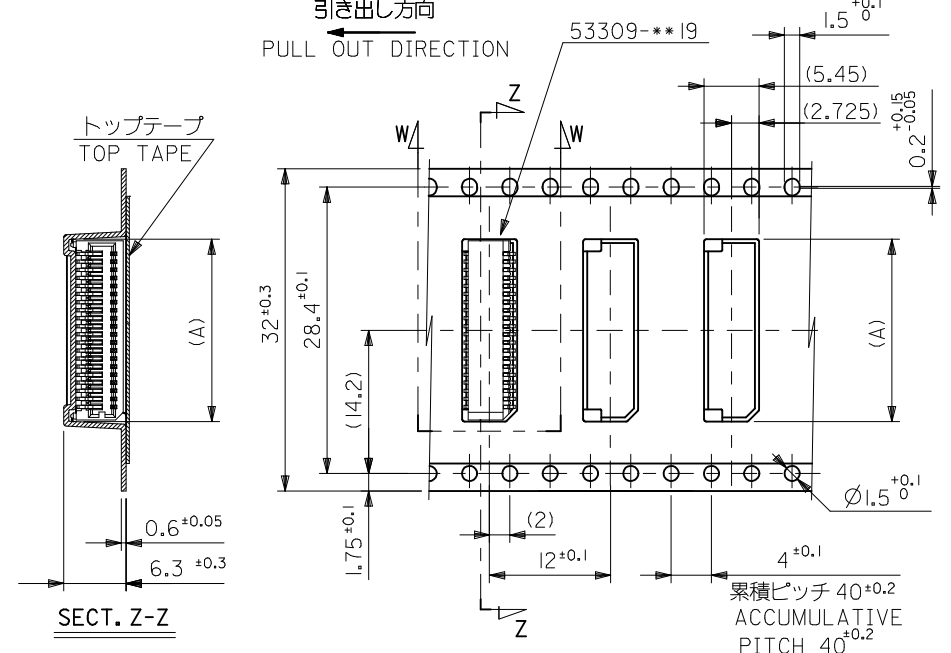
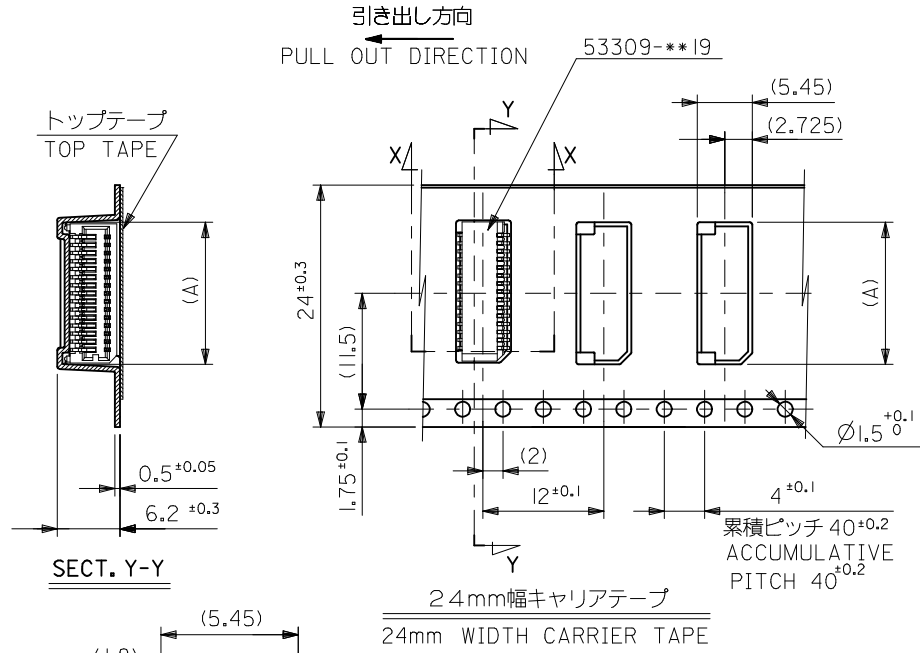


5. 材料(MATERIAL)
 キャリアテープ(CARRIER TAPE)：ポリプロピレン(POLYPROPYLENE)
 トップテープ(TOPTAPE)：PET, PE, PEF
 リール(REEL)：ポリスチレン(PS) <リサイクル材を含む>
 POLYSTYREN(PS) <RECYCLE MATERIAL CONTAINED>
6. 本製品は53309-**-90の鉛フリー品である。
 THIS PRODUCT IS LEAD FREE OF 53309-**90.



16	21.4	17.4	9.3	53309-1871	18		
			8.5	53309-1671	16		
			7.7	53309-1471	14		
			6.9	53309-1271	12		
			6.1	53309-1071	10		
16mm幅キャリアテープ CARRIER TAPE WIDTH		53309-**71 MODEL NO.	C	B	(A)	MATERIAL NO.	極数 CIRCUIT

REVISED EC NO: J2014-0465 2013/09/13 DRWN:YISHIDA CHKD:TASAKAWA APPR:TASAKAWA 2013/09/13	DESCRIPTION	GENERAL TOLERANCES (UNLESS SPECIFIED)		DIMENSION STYLE MM ONLY		SCALE ---	DESIGN UNITS METRIC	THIRD ANGLE PROJECTION	
		10 UNDER	±0.2	DRAWN BY HKAWABATA	DATE 2004/03/10	TITLE 0.8 BTB CONN WAFER ASSY EMBSTP PKG -LEAD FREE-			
		10 OVER 30 UNDER	±0.25	CHECKED BY KTOJO	DATE 2004/03/10				
		30 OVER	±0.3	APPROVED BY MSASAO	DATE 2004/03/10				
A	REV	DRAFT WHERE APPLICABLE MUST REMAIN WITHIN DIMENSIONS		MATERIAL NO. SEE NOTES		DOCUMENT NO. SD-53309-014		SHEET NO. 1 OF 2	



24	29.4	25.4	16.5	53309-3671	36
			15.7	53309-3471	34
			14.9	53309-3271	32
			14.1	53309-3071	30
			13.3	53309-2871	28
			12.5	53309-2671	26
			11.7	53309-2471	24
			10.9	53309-2271	22
			10.1	53309-2071	20
キャリアテープ幅 CARRIER TAPE WIDTH	C	B	(A)	MATERIAL NO.	極数 CIRCUIT

REVISED	DESCRIPTION
EC NO: J2014-0465	GENERAL TOLERANCES (UNLESS SPECIFIED)
DRWN: Y. SHIDA 2013/09/13	10 UNDER ±0.2
CHKD: TASAKAWA 2013/09/13	10 OVER 30 UNDER ±0.25
APPR: TASAKAWA 2013/09/13	30 OVER ±0.3
	ANGULAR ±3°
	DRAFT WHERE APPLICABLE MUST REMAIN WITHIN DIMENSIONS

32	37.4	33.4	18.1	53309-4071	40
			17.3	53309-3871	38
53309-***71	キャリアテープ幅 CARRIER TAPE WIDTH	C	B	(A)	MATERIAL NO. 極数 CIRCUIT
MODEL NO.	DIMENSION STYLE	SCALE	DESIGN UNITS	THIRD ANGLE PROJECTION	
	MM ONLY	---	METRIC		
DRAWN BY	DATE	TITLE			
HKAWABATA	2004/03/10	0.8 BTB CONN WAFER ASSY			
CHECKED BY	DATE	EMBSTP PKG			
KTOJO	2004/03/10	-LEAD FREE-			
APPROVED BY	DATE	molex			
MSASAO	2004/03/10				
MATERIAL NO.	DOCUMENT NO.	SHEET NO.			
	REFER TO SHEET 1 OF 2	SD-53309-014			
SIZE	THIS DRAWING CONTAINS INFORMATION THAT IS PROPRIETARY TO MOLEX INCORPORATED AND SHOULD NOT BE USED WITHOUT WRITTEN PERMISSION				
A3					