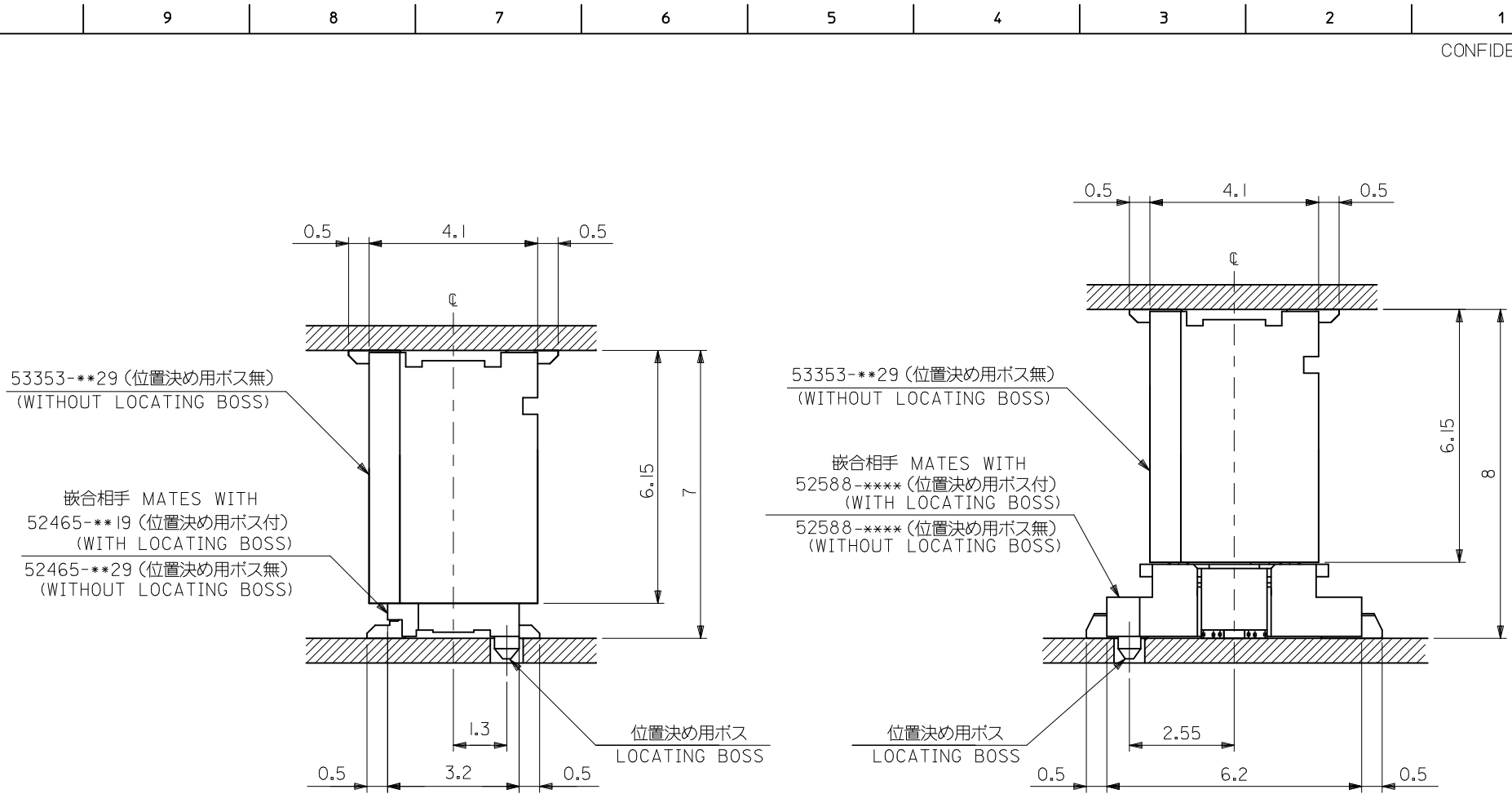


- 注記 NOTES**
1. 嵌合相手: 52465, 52588 シリーズ
MATES WITH : 52465, 52588 SERIES
 2. ウエハーの ϕ から隣接するピンの ϕ 迄の位置を示す。
SHOW POSITION FROM ϕ OF WAFER TO ϕ OF ADJACENT PINS.
 3. ELV 及び RoHS 適合品。
ELV AND ROHS COMPLIANT.
 4. テール平坦度: 0.1MAX.
COPLANARITY : 0.1MAXIMUM

0.4	17.8	16.9	15.2	—————	53353-4071	40
0.4	16.2	15.3	13.6	—————	53353-3671	36
0.8	13.8	12.9	11.2	53353-3029	53353-3071	30
0.4	13.0	12.1	10.4	—————	53353-2871	28
0.8	10.6	9.7	8.0	—————	53353-2271	22
0.4	9.8	8.9	7.2	—————	53353-2071	20
0.8	9.0	8.1	6.4	—————	53353-1871	18
0.4	8.2	7.3	5.6	—————	53353-1671	16
0.8	7.4	6.5	4.8	—————	53353-1471	14
0.4	6.6	5.7	4.0	—————	53353-1271	12
0.8	5.8	4.9	3.2	—————	53353-1071	10
D	C	B	(A)	TRAY PACKAGE	EMBOSSED PACKAGE	極数
				オーダー番号	ORDER NO.	CIRCUIT
				CONNECTOR SERIES No. : 53353-**29		

REVISED EC NO: J2011-0630 DRWN:KTOYODA 2010/11/01 CHKD:MSASAO 2010/11/01 APPR:MSASAO 2010/11/01	GENERAL TOLERANCES (UNLESS SPECIFIED)		DIMENSION STYLE MM ONLY		SCALE 		DESIGN UNITS METRIC		THIRD ANGLE PROJECTION 	
	10 UNDER	±0.2	DRAWN BY	DATE	TITLE					
	10 OVER 30 UNDER	±0.25	Y. WADA	2004/3/4	0.8 B/B CONN. WAFER ASSY ST. SMT(WITHOUT BOSS)					
	30 OVER	±0.3	CHECKED BY	DATE	MOLEX INCORPORATED					
	ANGULAR ±3 °	M. SASAO	2004/3/4	DOCUMENT NO. SD-53353-003						
	DRAFT WHERE APPLICABLE MUST REMAIN WITHIN DIMENSIONS	APPROVED BY	DATE	SHEET NO. 1 OF 2						
		M. SASAO	2004/3/4	THIS DRAWING CONTAINS INFORMATION THAT IS PROPRIETARY TO MOLEX INCORPORATED AND SHOULD NOT BE USED WITHOUT WRITTEN PERMISSION						
		MATERIAL NO.		SEE CHART						
		SIZE	A3							

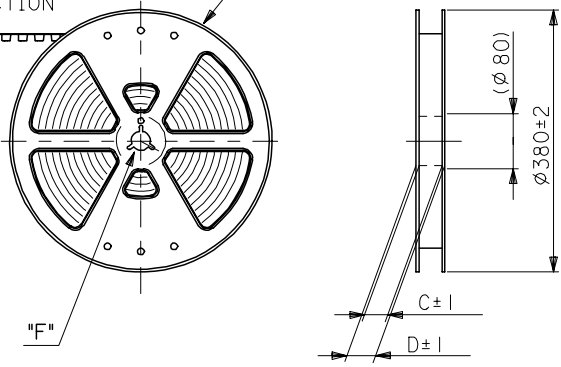
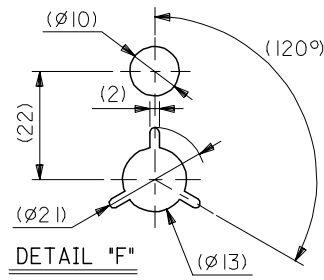


嵌合状態図 (参考)
MATED DRAWING (REF.)

REVISED EC NO: J2011-0630 DRW:KTOYODA 2010/11/01 CHK:DMSASAO 2010/11/01 APPR:MSASAO 2010/11/01 REV: B	GENERAL TOLERANCES (UNLESS SPECIFIED)		DIMENSION STYLE MM ONLY		CONNECTOR SERIES No. : 53353-***29		
	10 UNDER	± ---	DRAWN BY	DATE	SCALE	DESIGN UNITS	THIRD ANGLE PROJECTION
	10 OVER 30 UNDER	± ---	Y. WADA	2004/3/4	++	METRIC	
	30 OVER	± ---	CHECKED BY	DATE	TITLE 0.8 B/B CONN. WAFER ASSY ST. SMT(WITHOUT BOSS)		
	ANGULAR ± --- °	APPROVED BY	DATE	MOLEX INCORPORATED			
	DRAFT WHERE APPLICABLE MUST REMAIN WITHIN DIMENSIONS	M. SASAO	2004/3/4	DOCUMENT NO. SD-53353-003			
		MATERIAL NO.	SEE CHART		SHEET NO. 2 OF 2		
		SIZE	THIS DRAWING CONTAINS INFORMATION THAT IS PROPRIETARY TO MOLEX INCORPORATED AND SHOULD NOT BE USED WITHOUT WRITTEN PERMISSION				

引き出し方向
PULL OUT DIRECTION

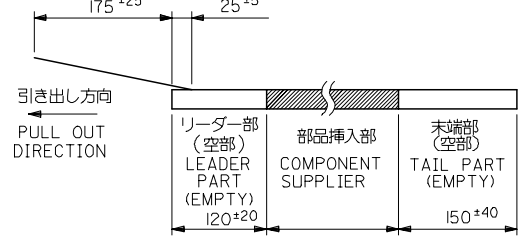
REEL



注記 NOTES

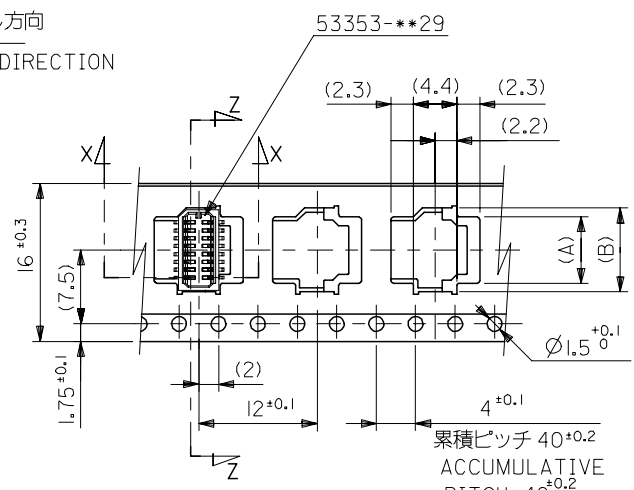
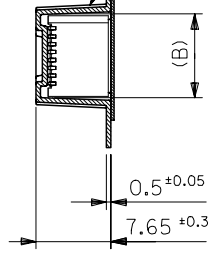
1. 梱包数量：1000個/リール NUMBER OF CONNECTORS:1000PCS/REEL
2. リードテープ長さ LEAD TAPE LENGTH

トップテープ TOP TAPE
リーダー部 LEADER PART トップテープ TOP TAPE
未接着部 NON-BONDED PART



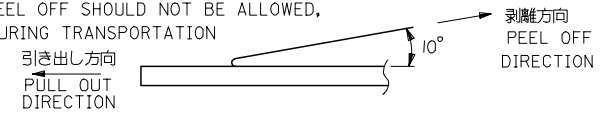
引き出し方向
PULL OUT DIRECTION

トップテープ
TOP TAPE



16mm幅キャリアテープ
16mm WIDTH CARRIER TAPE

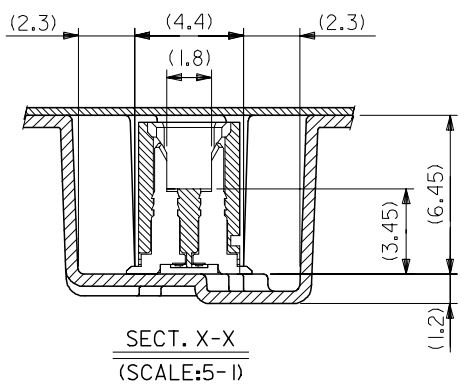
3. トップテープの剥離強度：(剥離方向は下図参照)
0. 1~1. 3N {10~130gf} 尚、本規格値は、出荷時に適用。
(但し、輸送時に剥離が発生しない事。)
PEELING OFF FORCE OF TOP TAPE
0. 1~1. 3N {10~130gf} (PEELING DIRECTION AS SHOWN IN FOLLOWING FIG.)
THIS REQUIREMENT SHOULD BE APPLIED AT SHIPMENT
PEEL OFF SHOULD NOT BE ALLOWED,
DURING TRANSPORTATION



4. 材料 MATERIAL
キャリアテープ：ポリプロピレン (PP) CARRIER TAPE:POLYPROPYLENE
トップテープ：PET, PE, PEF TOP TAPE:PET,PE,PEF
リール：ポリスチレン (PS) REEL:POLYSTYRENE(PS)
<リサイクル材を含む> <RECYCLE MATERIAL CONTAIND>

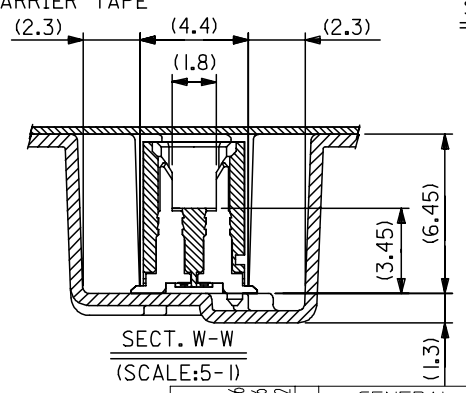
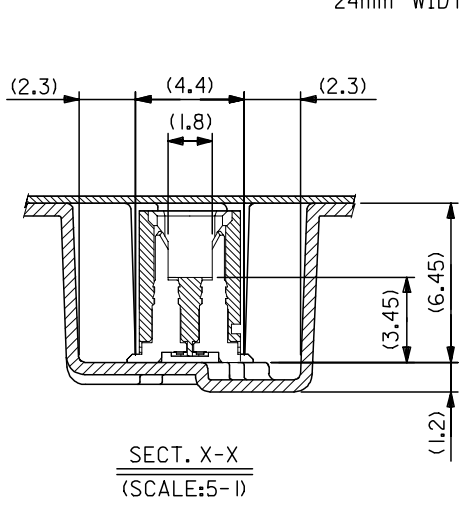
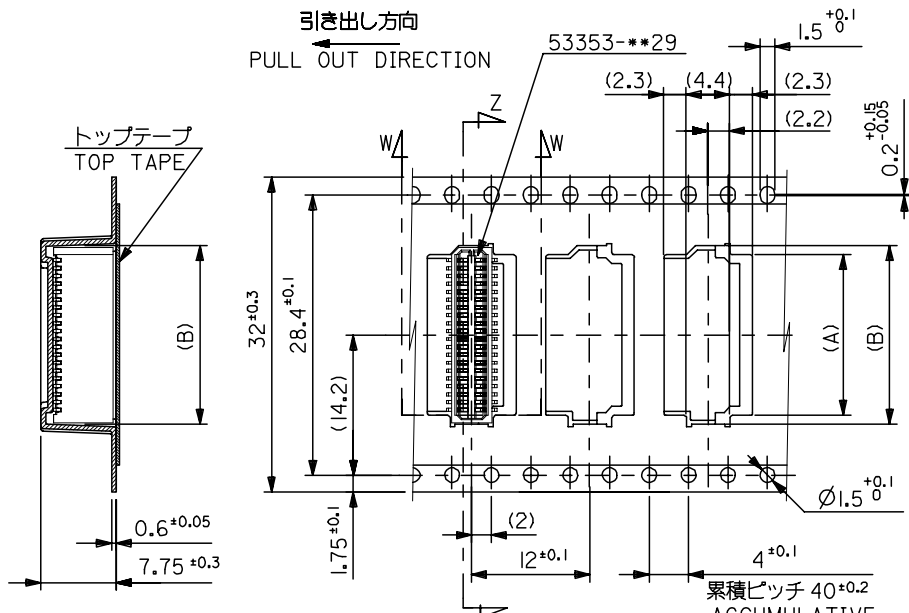
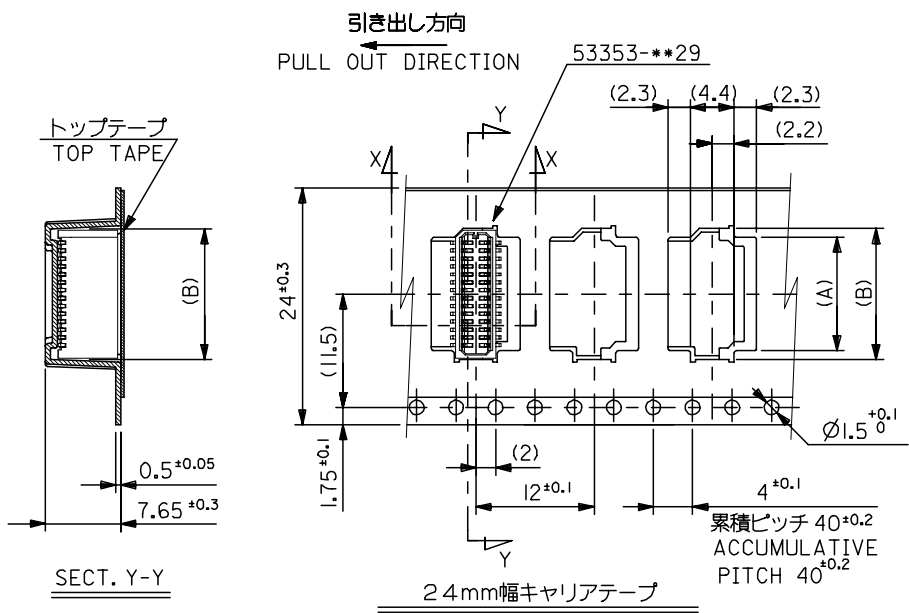
5. 本製品は53353-**-91の鉛フリー品である。
THIS PRODUCT IS LEAD FREE OF 53353-**-91.

16	21.4	17.4	8.5	6.7	53353-1671	16
			7.7	5.9	53353-1471	14
			6.9	5.1	53353-1271	12
			6.1	4.3	53353-1071	10
キャリアテープ幅 CARRIER TAPE WIDTH	D	C	(B)	(A)	MATERIAL NO.	極数 CIRCUIT



SECT. X-X
(SCALE:5-1)

REVISED EC NO: J2005-2159 DRAWN:KENSUZUKI 2005/01/26 CHKD:NUKITA 2005/01/26 APPR:NUKITA 2005/02/02 REV A	GENERAL TOLERANCES (UNLESS SPECIFIED)		DIMENSION STYLE MM ONLY		SCALE ---	DESIGN UNITS METRIC	MODEL NO. 53353-**-91
	10 UNDER	±0.2	DRAWN BY YWADA	DATE 2004/03/04	TITLE 0.8 BTB CONN WAFER ASSY ST SMT WITHOUT BOSS EMBTP PKG -LEAD FREE-		
	10 OVER 30 UNDER	±0.25	CHECKED BY MSASAO	DATE 2004/03/04	APPROVED BY MSASAO		
	30 OVER	±0.3	APPROVED BY MSASAO	DATE 2004/03/04	MATERIAL NO. SEE CHART		
	ANGULAR	±3 °	MATERIAL NO. SEE CHART		DOCUMENT NO. SD-53353-004	SHEET NO. 1 OF 2	
DRAFT WHERE APPLICABLE MUST REMAIN WITHIN DIMENSIONS		THIS DRAWING CONTAINS INFORMATION THAT IS PROPRIETARY TO MOLEX INCORPORATED AND SHOULD NOT BE USED WITHOUT WRITTEN PERMISSION					



32mm 幅キャリアテープ		32mm WIDTH CARRIER TAPE	
32	37.4	33.4	18.1 16.3 53353-4071 40
			16.5 14.7 53353-3671 36
24	29.4	25.4	14.1 12.3 53353-3071 30
			13.3 11.5 53353-2871 28
			10.9 9.1 53353-2271 22
			10.1 8.3 53353-2071 20
			9.3 7.5 53353-1871 18
キャリアテープ幅 CARRIER TAPE WIDTH	D	C	(B) (A) MATERIAL NO. 極数 CIRCUIT

REVISED EC NO: J2005-2159 DRAWN: KENSUJUKI 2005/01/26 CHK'D: NUKITA 2005/01/26 APPR: NUKITA 2005/02/02	GENERAL TOLERANCES (UNLESS SPECIFIED)		DIMENSION STYLE MM ONLY		SCALE ---	DESIGN UNITS METRIC	THIRD ANGLE PROJECTION		
	10 UNDER ±0.2	10 OVER 30 UNDER ±0.25	30 OVER ±0.3	DRAWN BY YWADA	DATE 2004/03/04	TITLE 0.8 BTB CONN WAFER ASSY ST SMT WITHOUT BOSS EMBTP PKG -LEAD FREE-			
	ANGULAR ±3°			APPROVED BY MSASAO	DATE 2004/03/04	MOLEX INCORPORATED			
	DRAFT WHERE APPLICABLE MUST REMAIN WITHIN DIMENSIONS			MATERIAL NO. SEE CHART		DOCUMENT NO. SD-53353-004	SHEET NO. 2 OF 2		