

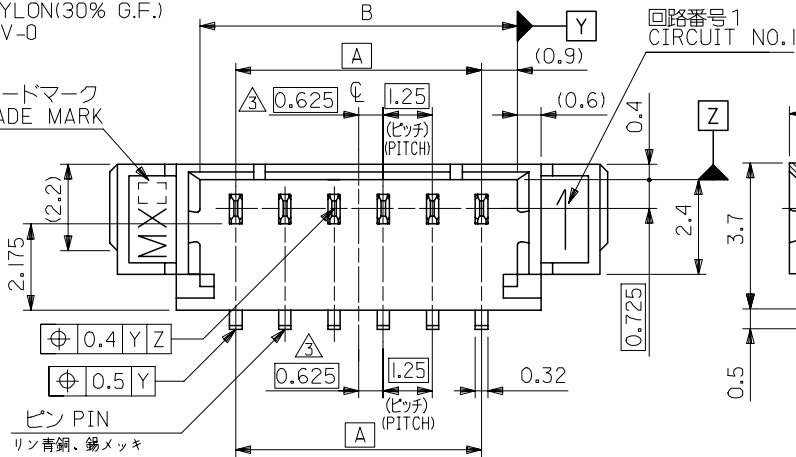
注記 NOTES

- 1. 嵌合相手: 51021シリーズ MATE WITH : 51021 SERIES
- △ 水平面上において、ウエハー底面 **W** とソルダーテール及びフィッティングネイル底面とのズレ量を示す。
MISALIGNMENT OF SOLDER TAIL & FITTING NAIL FROM **W**
- △ 偶数極にのみ適用。APPLY EVEN CIRCUIT PRODUCTS.
- △ ロック窓は、2、3極は1ヶ所、4極以上は2ヶ所とする。
LOCKING WINDOW : ONE PLACE FOR 2&3 CKTS.
TWO PLACES FOR MORE THAN 4 CKTS.

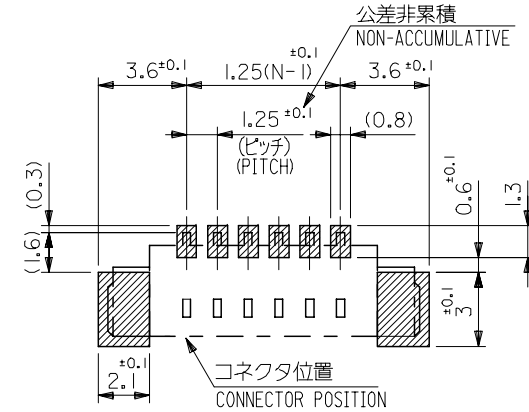
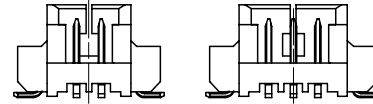
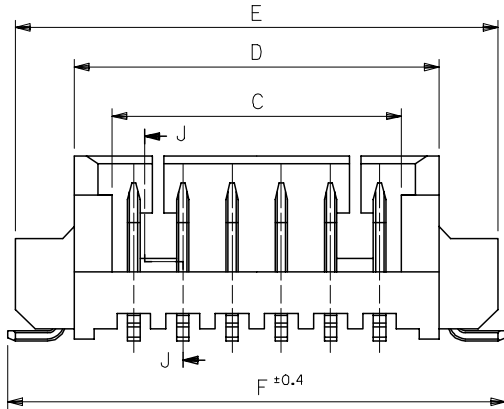
金具
FITTING NAIL
リン青銅、錫メッキ
PHOS.BRO.
Tin 14μMIN.
OVER Ni 14μMIN.
PLATING

ウエハー
WAFER
46 NYLON(30% G.F.)
UL94V-0

トレードマーク
TRADE MARK



ピン PIN
リン青銅、錫メッキ
PHOS.BRO.
Tin 14μMIN.
OVER Ni 14μMIN.
PLATING

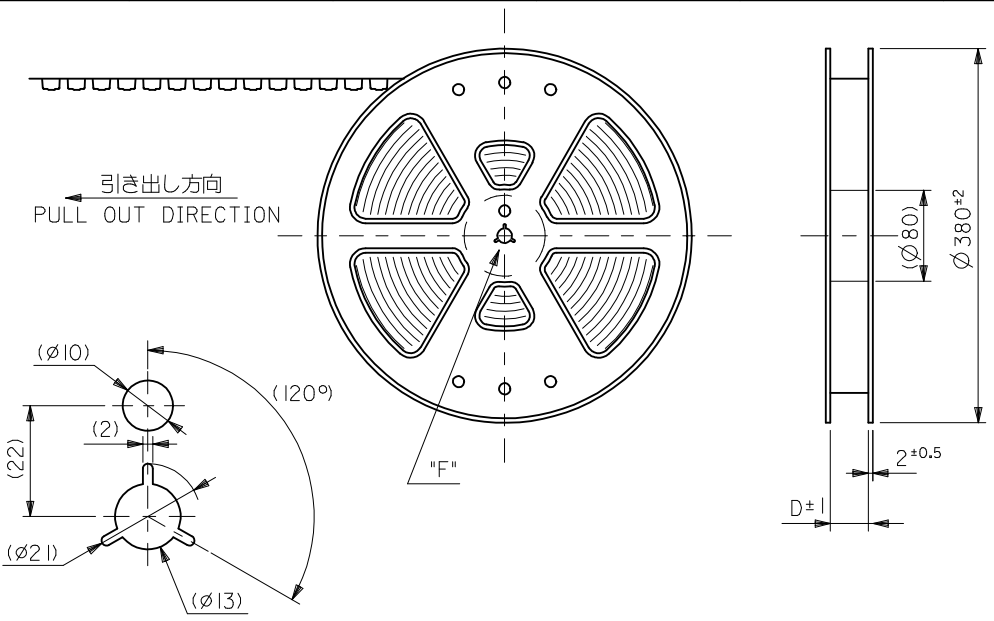


参考基板レイアウト
RECOMMENDED P.C.BOARD PATTERN DIM.(REF.)

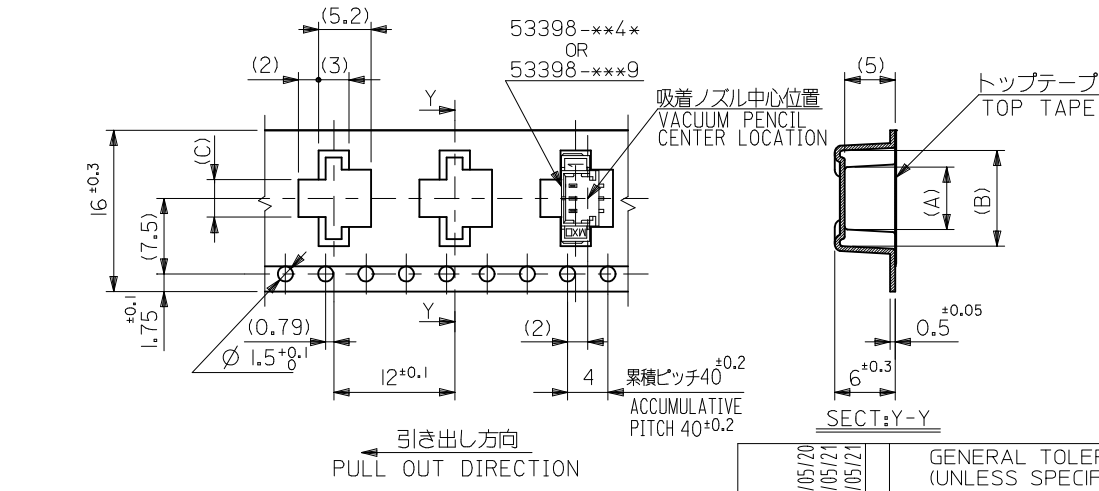
23.9	23.5	20.5	18.6	19.3	17.5	53398-154*	53398-***159	15
22.65	22.25	19.25	17.35	18.05	16.25	↑ -144*	↑ -***149	14
21.4	21	18	16.1	16.8	15	-134*	-***139	13
20.15	19.75	16.75	14.85	15.55	13.75	-124*	-***129	12
18.9	18.5	15.5	13.6	14.3	12.5	-114*	-***119	11
17.65	17.25	14.25	12.35	13.05	11.25	-104*	-***109	10
16.4	16	13	11.1	11.8	10	-094*	-***099	9
15.15	14.75	11.75	9.85	10.55	8.75	-084*	-***089	8
13.9	13.5	10.5	8.6	9.3	7.5	-074*	-***079	7
12.65	12.25	9.25	7.35	8.05	6.25	-064*	-***069	6
11.4	11	8	6.1	6.8	5	-054*	-***059	5
10.15	9.75	6.75	4.85	5.55	3.75	-044*	-***049	4
8.9	8.5	5.5	3.6	4.3	2.5	↓ -034*	↓ -***039	3
7.65	7.25	4.25	2.35	3.05	1.25	53398-024*	53398-***029	2

MATERIAL NO.	53398-154*	MATERIAL NO.	53398-***159	極数 NO. OF CKTS.
MODEL NO.	53398-***4*	MODEL NO.	53398-***9	
COLOR	3: 黄 YELLOW 4: 紫 PURPLE 6: 緑 GREEN	COLOR	8: 黒 BLACK 9: 赤 RED	

REVISED EC NO: J2007-3218 2007/05/25 DRWN: AYOYAGI 2007/05/29 CHKD: NUKITA 2007/05/29 APPR: NUKITA 2007/05/29	GENERAL TOLERANCES (UNLESS SPECIFIED)		DIMENSION STYLE MM ONLY		SCALE ---	DESIGN UNITS METRIC	THIRD ANGLE PROJECTION
	10 UNDER	±0.2	DRAWN BY M.UMEDA	DATE 2005/02/17	TITLE 1.25 W/B CONN. WAFER ASS'Y FOR SMT ST. -LEAD FREE-		
	10 OVER 30 UNDER	±0.25	CHECKED BY K. TOYODA	DATE 2005/02/17	MOLEX INCORPORATED		
	30 OVER	±0.3	APPROVED BY N. UKITA	DATE 2005/02/17	DOCUMENT NO. SD-53398-038		
	ANGULAR ±3 °	DRAFT WHERE APPLICABLE MUST REMAIN WITHIN DIMENSIONS		MATERIAL NO. SEE CHART		DOCUMENT NO. SD-53398-038	SHEET NO. 1 OF 1
		THIS DRAWING CONTAINS INFORMATION THAT IS PROPRIETARY TO MOLEX INCORPORATED AND SHOULD NOT BE USED WITHOUT WRITTEN PERMISSION					



DETAIL "F"



SECT: Y-Y

16幅テープ
(TAPE WIDTH:16)

NOTES

- 梱包数量: 1000個/リール
NUMBER OF CONNECTOR: 1000PCS/REEL
- リードテープ長さ
LEAD TAPE LENGTH
- トップテープの剥離強度: 0.6±0.35N(60±35gf) (剥離方向は下図参照)
PEELING OFF FORCE OF TOP TAPE: 0.6±0.35N(60±35gf)
(PEELING DIRECTION IS SHOWN IN FOLLOWING FIG.)
 <剥離速度: 300mm/min (参考)>
PEELING SPEED: 300mm/min (REFERENCE)
- 製品詳細寸法は製品単体図面を参照して下さい。
For detail of connector dimensions, please see the drawing of connector itself (not packaged).
- 材料 (MATERIAL)
キャリアテープ (CARRIER TAPE): ポリプロピレン (POLYPROPYLENE)
トップテープ (TOP TAPE): PET, PE, PEF
リール (REEL): ポリスチレン (P.S) <リサイクル材含む>
POLYSTYRENE (P.S) <RECYCLE MATERIAL CONTAINED>
- 本製品は乾燥剤入り、ハイバリア梱包仕様である。
THIS PRODUCT IS HIGH BARRIER PACKAGE WITH DESICCANT.

16	17.4	3.7 2.45	9.5 8.25	5.8 4.55	53398-035*	53398-037*	3
					53398-025*	53398-027*	2
キャリアテープ幅 CARRIER TAPE WIDTH	D	(C)	(B)	(A)	MATERIAL NO. MODEL NO. 53398-***x	MATERIAL NO. MODEL NO. 53398-***x	極致 CKT.
					COLOR 3: 黄 YELLOW 4: 青(紫) BLUE(PURPLE) 6: 緑 GREEN	COLOR 6: 黒 BLACK 7: 赤 RED	

REVISED EC NO.: J2009-2060 DRWN:TKON 2009/05/20 CHKD:HMATSUMOTO 2009/05/21 APPR:NUKITA 2009/05/21	GENERAL TOLERANCES (UNLESS SPECIFIED)		DIMENSION STYLE MM ONLY		SCALE ---	DESIGN UNITS METRIC	THIRD ANGLE PROJECTION
	10 UNDER	±0.2	DRAWN BY M.UMEDA	DATE 2005/02/18	TITLE 1.25 W/B CONN. WAFER ASSY EMBSTP PKG. -LEAD FREE-		
	10 OVER 30 UNDER	±0.25	CHECKED BY K.TOYODA	DATE 2005/02/18	MOLEX INCORPORATED		
	30 OVER	±0.3	APPROVED BY N.UKITA	DATE 2005/02/18	DOCUMENT NO. SD-53398-039	SHEET NO. 1 OF 3	
	ANGULAR ±3 °	DRAFT WHERE APPLICABLE MUST REMAIN WITHIN DIMENSIONS		SEE TABLE			
		THIS DRAWING CONTAINS INFORMATION THAT IS PROPRIETARY TO MOLEX INCORPORATED AND SHOULD NOT BE USED WITHOUT WRITTEN PERMISSION					

F

E

D

C

B

A

F

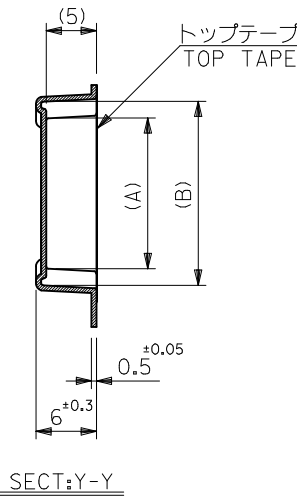
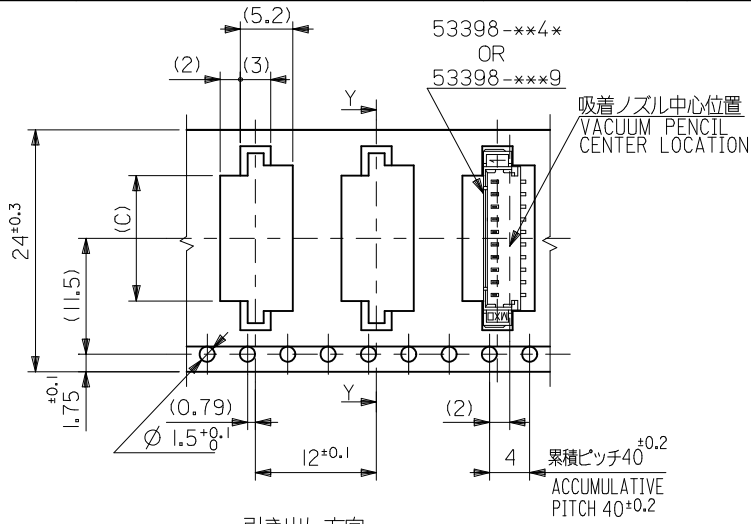
E

D

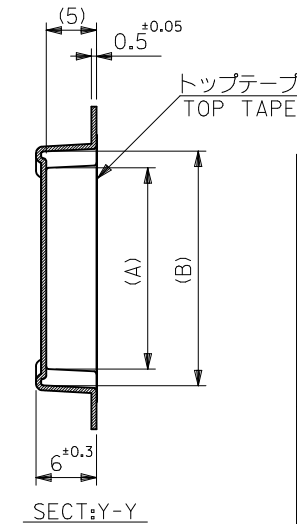
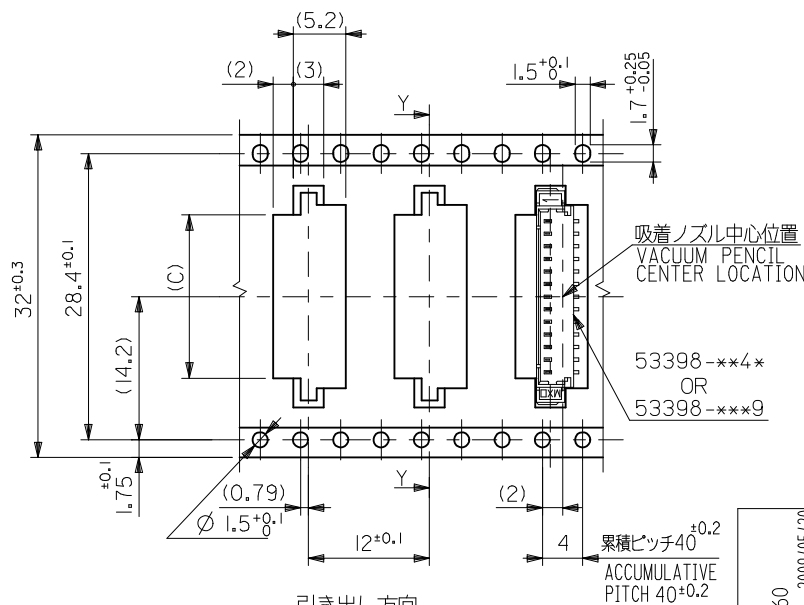
C

B

A



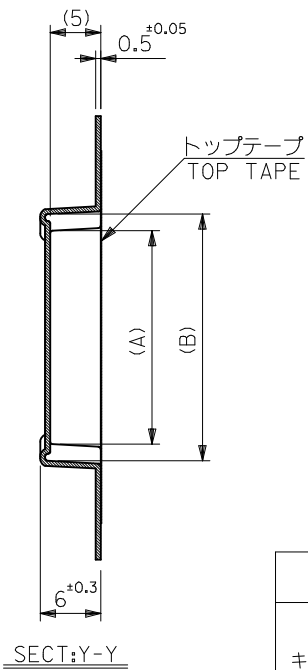
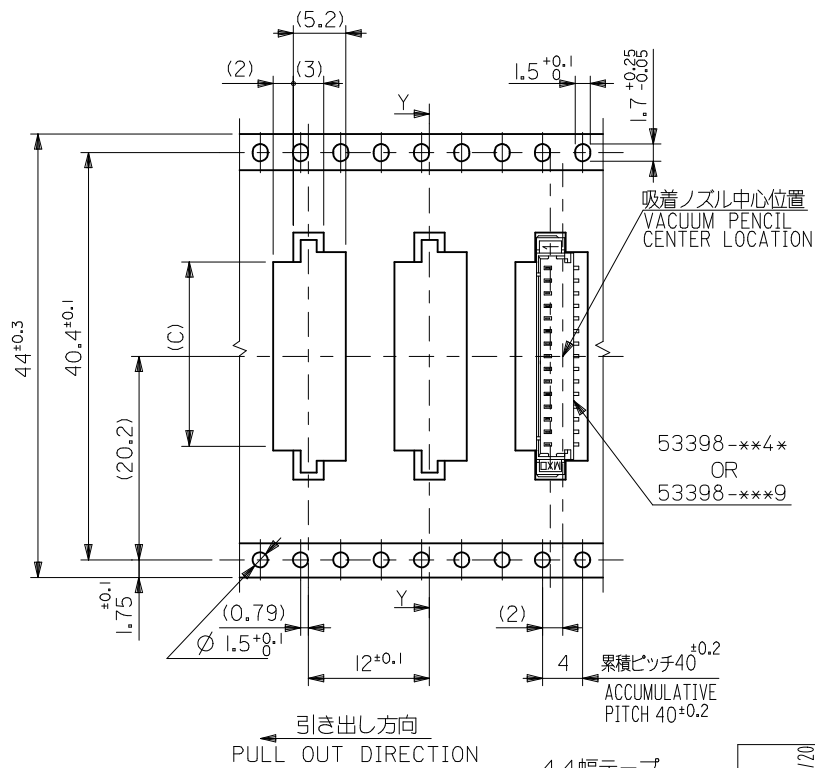
引き出し方向
PULL OUT DIRECTION
24幅テープ
(TAPE WIDTH:24)



引き出し方向
PULL OUT DIRECTION
32幅テープ
(TAPE WIDTH:32)

32	33.4	16.2	22	18.3	53398-135*	53398-137*	13
		14.95	20.75	17.05	-125*	-127*	12
24	25.4	13.7	19.5	15.8	-115*	-117*	11
		12.45	18.25	14.55	-105*	-107*	10
		11.2	17	13.3	-095*	-097*	9
		9.95	15.75	12.05	-085*	-087*	8
		8.7	14.5	10.8	-075*	-077*	7
		7.45	13.25	9.55	-065*	-067*	6
		6.2	12	8.3	-055*	-057*	5
		4.95	10.75	7.05	-045*	-047*	4
キャリアテープ幅 CARRIER TAPE WIDTH	D	(C)	(B)	(A)	MATERIAL NO. MODEL NO. 53398-***5*	MATERIAL NO. MODEL NO. 53398-***7*	種数 CKT.
COLOR	3: 黄 YELLOW 4: 青(紫) BLUE(PURPLE) 6: 緑 GREEN		6: 黒 BLACK 7: 赤 RED				

REVISED EC NO: J2009-2060 DRWN:TKON 2009/05/20 CHKD:HATSUMOTO 2009/05/21 APPR:NUKITA 2009/05/21 REV: B	GENERAL TOLERANCES (UNLESS SPECIFIED)		DIMENSION STYLE MM ONLY		SCALE ---	DESIGN UNITS METRIC	THIRD ANGLE PROJECTION
	10 UNDER	±0.2	DRAWN BY M.UMEDA	DATE 2005/02/18	TITLE 1.25 W/B CONN. WAFER ASSY EMBSTP PKG. -LEAD FREE-		
	10 OVER 30 UNDER	±0.25	CHECKED BY K.TOYODA	DATE 2005/02/18	MOLEX INCORPORATED		
	30 OVER	±0.3	APPROVED BY N.UKITA	DATE 2005/02/18	DOCUMENT NO. SD-53398-039	SHEET NO. 2 OF 3	
ANGULAR ±3 °		DRAFT WHERE APPLICABLE MUST REMAIN WITHIN DIMENSIONS		THIS DRAWING CONTAINS INFORMATION THAT IS PROPRIETARY TO MOLEX INCORPORATED AND SHOULD NOT BE USED WITHOUT WRITTEN PERMISSION			



44	45.4	18.7	24.5	20.8	53398-155*	53398-157*	15
		17.45	23.25	19.55	53398-145*	53398-147*	14
キャリアテープ幅 CARRIER TAPE WIDTH	D	(C)	(B)	(A)	MATERIAL NO. MODEL NO. 53398-**5*	MATERIAL NO. MODEL NO. 53398-**7*	種数 CKT.
					COLOR 3: 黄 YELLOW 4: 青(紫) BLUE(PURPLE) 6: 緑 GREEN	COLOR 6: 黒 BLACK 7: 赤 RED	

引き出し方向
PULL OUT DIRECTION

44幅テープ
(TAPE WIDTH:44)

REVISED EC NO.: J2009-2060 DRWN:TKON 2009/05/20 CHKD:HMATSUMOTO 2009/05/21 APPR:NUKITA 2009/05/21	GENERAL TOLERANCES (UNLESS SPECIFIED)		DIMENSION STYLE MM ONLY		SCALE ---	DESIGN UNITS METRIC		THIRD ANGLE PROJECTION	
	10 UNDER	±0.2	DRAWN BY M.UMEDA		DATE 2005/02/18		TITLE 1.25 W/B CONN. WAFER ASSY EMBSTP PKG. -LEAD FREE-		
	10 OVER 30 UNDER	±0.25	CHECKED BY K.TOYODA		DATE 2005/02/18		MOLEX INCORPORATED SD-53398-039		
	30 OVER	±0.3	APPROVED BY N. UKITA		DATE 2005/02/18				
ANGULAR ±3 °		DRAFT WHERE APPLICABLE MUST REMAIN WITHIN DIMENSIONS		MATERIAL NO. SEE TABLE		SD-53398-039		3 OF 3	
				SIZE A3		THIS DRAWING CONTAINS INFORMATION THAT IS PROPRIETARY TO MOLEX INCORPORATED AND SHOULD NOT BE USED WITHOUT WRITTEN PERMISSION			