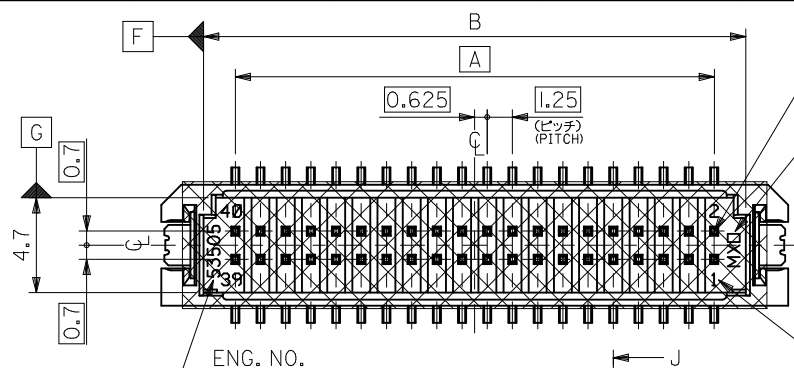
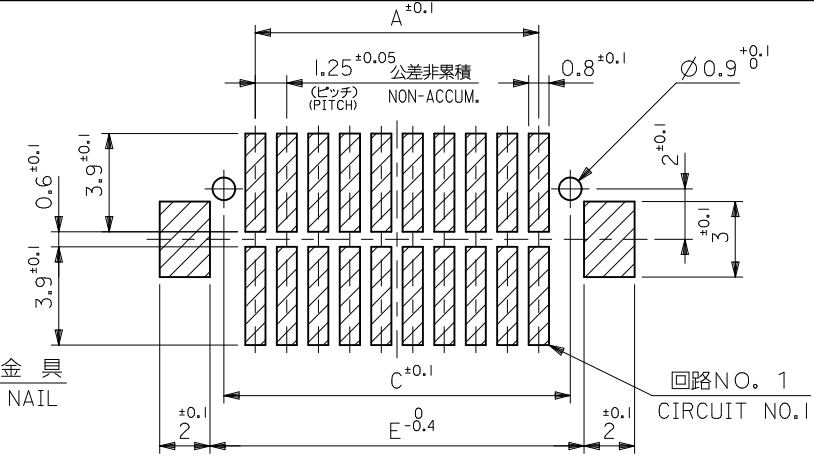


10 9 8 7 6 5 4 3 2 1

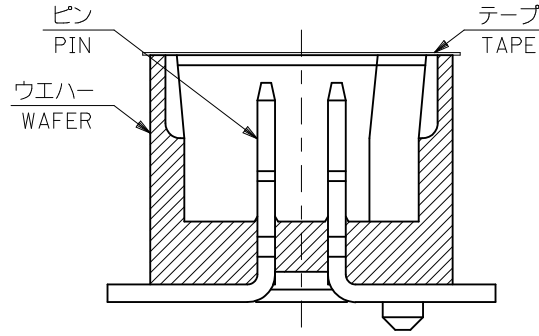


TRADE MARK
 トレードマーク

CIRCUIT NO.
 回路番号



推奨基板寸法 (参考)
 RECOMMENDED PCB PATTERN LAYOUT
 (REFERENCE)



SECT. J-J
 (SCALE 10:1)

注記 NOTES

- 1 嵌合相手: 51127 シリーズ
 MATE WITH: 51127 SERIES
- 2 使用材料 MATERIAL
 ウエハー: ガラス入りPA、UL94V-0
 WAFER: G.F. PA, UL94V-0
 ピン: リン青銅 (t=0.35)
 PIN: PHOSPHOR BRONZE (t=0.35)
 金メッキ 0.2 MICROMETER MIN.
 Au
 錫メッキ 1.0 MICROMETER MIN.
 Sn
 ニッケル下地 2.0 MICROMETER MIN.
 Ni(UNDER)
 金具: リン青銅 (t=0.2)
 NAIL: PHOSPHOR BRONZE (t=0.2)
 錫メッキ 1.0 MICROMETER MIN.
 Sn
 ニッケル下地 1.0 MICROMETER MIN.
 Ni(UNDER)
 テープ: ポリイミド (t=50μm)
 TAPE: PI (t=50μm)
- 3 回路番号
 CIRCUIT NO.
- 4 ピン及び金具の半田付け面のバラツキ寸法
 PIN AND NAIL COPLANARITY
 [H]面を基準とし、上へ 0 下へ 0.1 の範囲とする。
 TAILS TO BE WITHIN 0 UPWARD AND
 0.1 DOWNWARD FROM [H] PLANE.
- 5 本製品は53505-**-**10の鉛フリー品である。
 THIS PRODUCT IS LEAD FREE OF 53505-**-**10.
6. ELV 及び RoHS適合品
 ELV AND RoHS COMPLIANT.

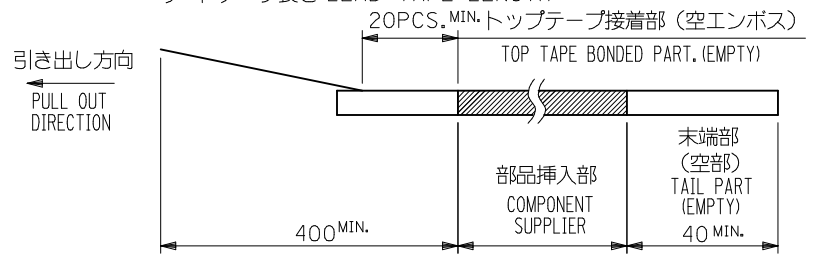
21.1	24.85	20.0	20.65	17.5	53505-3071	30
E	D	C	B	A	EMBOSSED PACKAGE	CKT. 極数
					オーダー番号 ORDER NO.	

CONNECTOR SERIES NO. 53505-**-**19

REVISED EC NO: J2010-4709 DRWN: ASUZUKI 2010/02/22 CHKD: HATAUMOTO 2010/03/29 APPR: HIRATA 2010/03/30	DESCRIPTION	GENERAL TOLERANCES (UNLESS SPECIFIED)		DIMENSION STYLE MM ONLY		SCALE 4:1	DESIGN UNITS METRIC		THIRD ANGLE PROJECTION	
		10 UNDER	±0.2	DRAWN BY Y. WADA	DATE '04/02/10	TITLE 1.25 DUAL W/B CONN WAFER ASSY				
		10 OVER 30 UNDER	±0.25	CHECKED BY M. SASAO	DATE '04/02/10	MOLEX INCORPORATED				
		30 OVER	±0.3	APPROVED BY M. SASAO	DATE '04/02/10	DOCUMENT NO. SD-53505-001				
ANGULAR ±3 °		DRAFT WHERE APPLICABLE MUST REMAIN WITHIN DIMENSIONS		MATERIAL NO. SEE TABLE		SHEET NO. 1 OF 1				

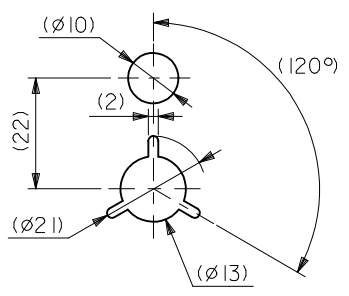
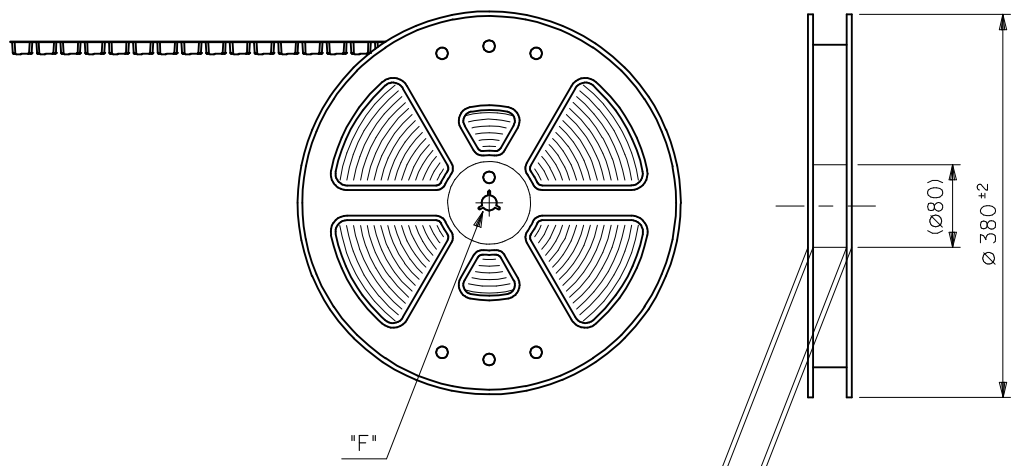
NOTES

- 製品詳細寸法については図面 SD-53505-001 を参照下さい。
RE DETAILED DIMENSION, SEE SD-53505-001
- 梱包数量：1000個/リール
NUMBER OF CONNECTORS : 1000PCS/REEL
- リードテープ長さ LEAD TAPE LENGTH



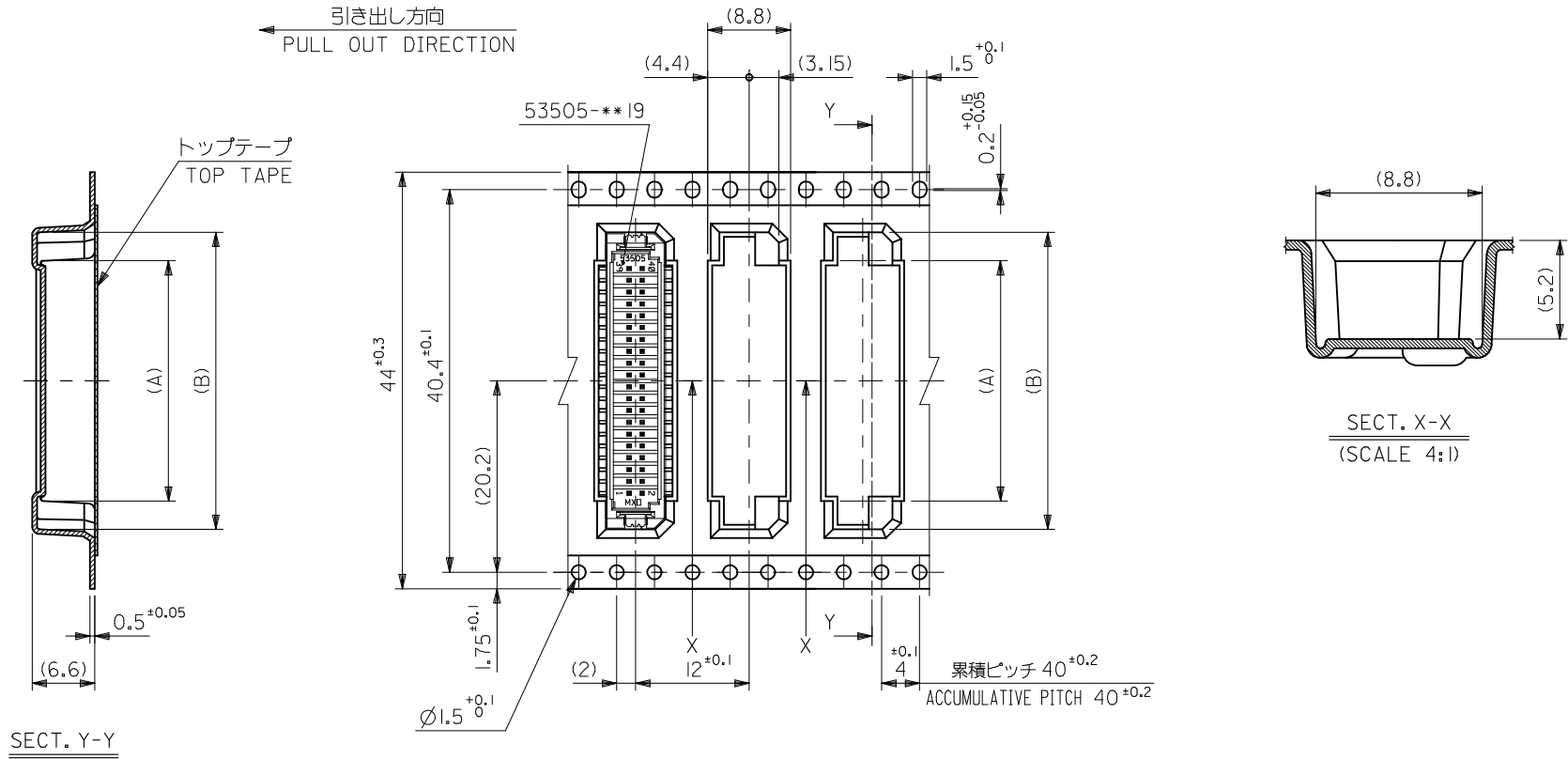
- 材料 (MATERIAL)
キャリアテープ (CARRIER TAPE) : ポリプロピレン (POLYPROPYLENE)
トップテープ (TOPTAPE) : PET, PE, PEF
リール (REEL) : ポリスチレン (PS) <リサイクル材を含む>
POLYSTYRENE (PS) <RECYCLE MATERIAL CONTAINED>
- 本製品は53505-***90の鉛フリー品である。
THIS PRODUCT IS LEAD FREE OF 53505-***90.
- ELV 及び RoHS 適合品
ELV AND RoHS COMPLIANT.

引き出し方向
PULL OUT



DETAIL "F"

REVISED EC NO: J2009-0588 DRWN: YOSHIDAM 2008/12/04 CHKD: THARUYAMA 2008/12/04 APPR: NUKITA 2009/01/09	GENERAL TOLERANCES (UNLESS SPECIFIED)		DIMENSION STYLE MM ONLY		SCALE ---	53505-***71	MODEL NO.
	10 UNDER	±0.2	DRAWN BY Y. WADA	DATE '04/02/10	TITLE	125 DUAL W/B CONN WAFER ASSY EMBSTP PKG	
	10 OVER 30 UNDER	±0.25	CHECKED BY M. SASAO	DATE '04/02/10	MOLEX INCORPORATED SD-53505-002		
	30 OVER	±0.3	APPROVED BY M. SASAO	DATE '04/02/10			
ANGULAR ±3 °		MATERIAL NO. SEE SHEET 2		DOCUMENT NO.		SD-53505-002	
DRAFT WHERE APPLICABLE MUST REMAIN WITHIN DIMENSIONS		THIS DRAWING CONTAINS INFORMATION THAT IS PROPRIETARY TO MOLEX INCORPORATED AND SHOULD NOT BE USED WITHOUT WRITTEN PERMISSION					



44mm幅キャリアテープ
44mm WIDTH CARRIER TAPE

44	49.4	45.4	25.15	19.15	53505-3071	30
キャリアテープ幅 CARRIER TAPE WIDTH	D	C	(B)	(A)	MATERIAL NO.	極数 CKT.

REVISED EC NO: J2009-0588 DRWN: YOSHIDAM 2008/12/04 CHKD: THARUYAMA 2008/12/04 APPR: NUKITA 2009/01/09	GENERAL TOLERANCES (UNLESS SPECIFIED)		DIMENSION STYLE MM ONLY		SCALE ---		DESIGN UNITS METRIC		THIRD ANGLE PROJECTION	
	10 UNDER	± ---	DRAWN BY Y. WADA		DATE '04/02/10		TITLE 1.25 DUAL W/B CONN WAFER ASSY EMBSTP PKG			
	10 OVER 30 UNDER	± ---	CHECKED BY M. SASAO		DATE '04/02/10					
	30 OVER	± ---	APPROVED BY M. SASAO		DATE '04/02/10		MOLEX INCORPORATED DOCUMENT NO. SD-53505-002 SHEET NO. 2 OF 2			
ANGULAR ± --- °		MATERIAL NO. SEE TABLE		SIZE A3		THIS DRAWING CONTAINS INFORMATION THAT IS PROPRIETARY TO MOLEX INCORPORATED AND SHOULD NOT BE USED WITHOUT WRITTEN PERMISSION				
DRAFT WHERE APPLICABLE MUST REMAIN WITHIN DIMENSIONS										