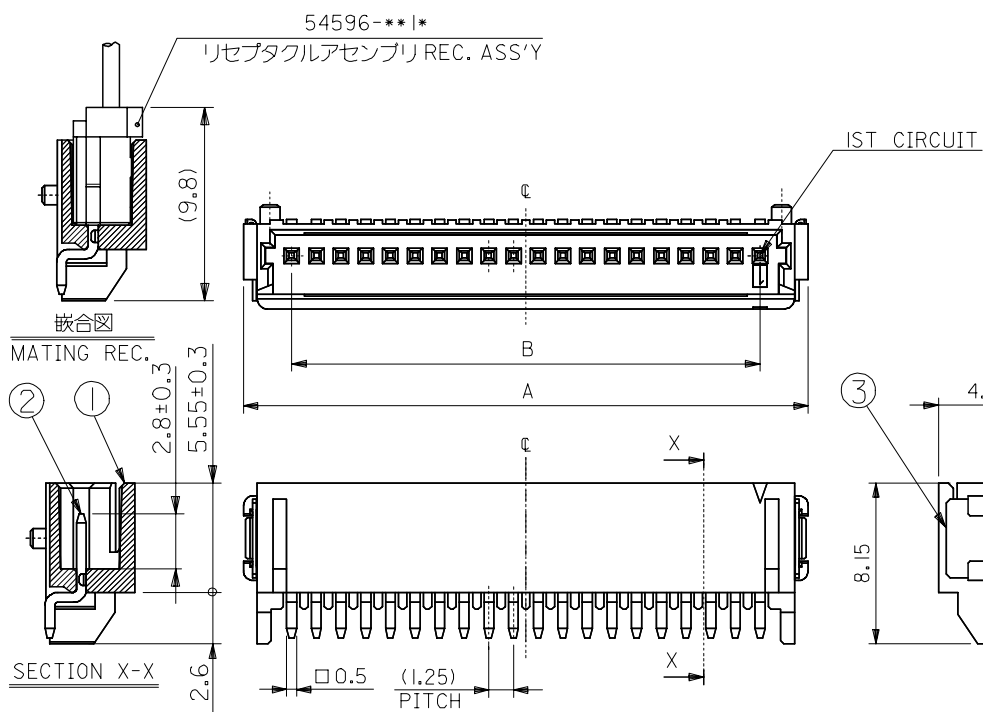


10 9 8 7 6 5 4 3 2 1

番号 NO.	名称 NAME	材料 MATERIAL	数量 QT'Y	仕上げ FINISH
①	ウエハー WAFER	ナイロン NYLON	1	UL94V-0 色:原色 COLOR:NATURAL
②	ピン PIN	黄銅 BRASS	N	全体錫メッキ PRE-TINNED
③	ネール NAIL	黄銅 BRASS	2	錫メッキ TIN PLATING



ボス無しタイプ WITHOUT BOSS	ボス有りタイプ WITH BOSS
55456-***6*	55456-***5*

27.25	25.95	23.75	28.65	55456-2060		55456-2050	
26	24.7	22.5	27.4	-1960		-1950	
24.75	23.45	21.25	26.15	-1860		-1850	
23.5	22.2	20	24.9	-1760		-1750	
22.25	20.95	18.75	23.65	-1660		-1650	
21	19.7	17.5	22.4	-1560		-1550	
19.75	18.45	16.25	21.15	-1460		-1450	
18.5	17.2	15	19.9	-1360		-1350	
17.25	15.95	13.75	18.65	-1260		-1250	
16	14.7	12.5	17.4	-1160	ボス無しタイプ WITHOUT BOSS	-1150	ボス有りタイプ WITH BOSS
14.75	13.45	11.25	16.15	-1060	55456-***6*	-1050	55456-***5*
13.5	12.2	10	14.9	-0960		-0950	
12.25	10.95	8.75	13.65	-0860		-0850	
11	9.7	7.5	12.4	-0760		-0750	
9.75	8.45	6.25	11.15	-0660		-0650	
8.5	7.2	5	9.9	-0560		-0550	
7.25	5.95	3.75	8.65	-0460		-0450	
6	4.7	2.5	7.4	-0360		-0350	
4.75	3.45	1.25	6.15	55456-0260		55456-0250	
D	C	B	A	MATERIAL NO.	MODEL NO.	MATERIAL NO.	MODEL NO.

注記 NOTES

- 材料及び仕上げ:表参照
MATERIAL AND FINISH:SEE CHART
- エンボス梱包品の詳細は、SD-55456-011を参照の事。
DETAILED TAPING PACKAGE,SEE SD-55456-011



製品番号 MATERIAL NO.
55456-****

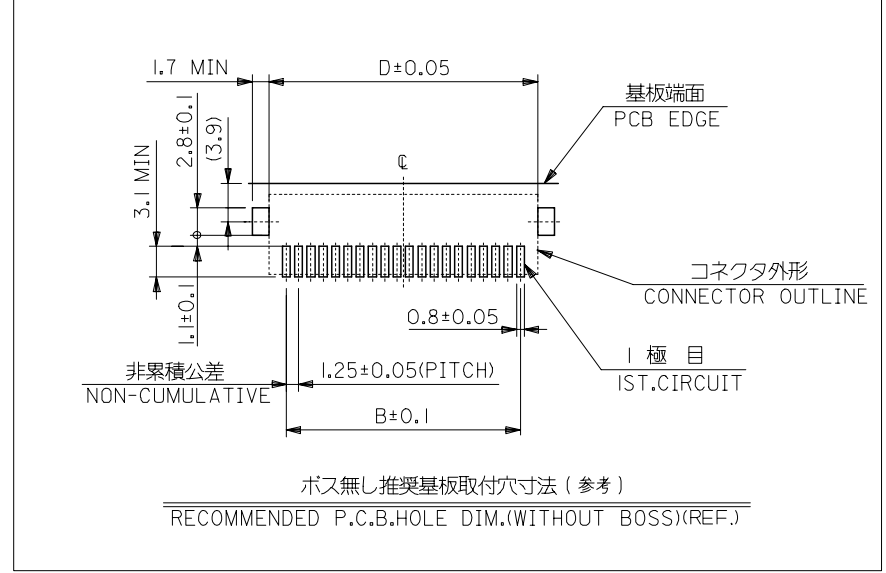
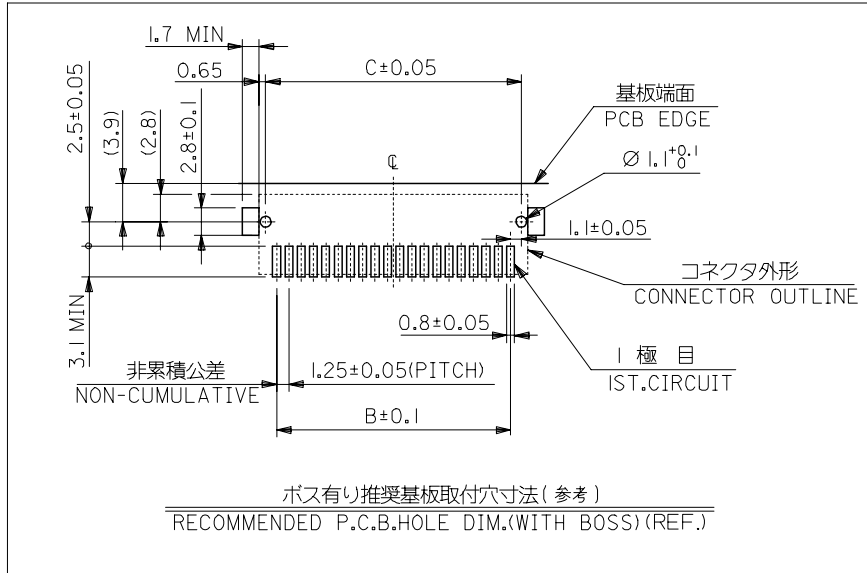
極数 CIRCUIT SIZE (02~20)

ボス BOSS 5: 有り WITH BOSS
6: 無し WITHOUT BOSS

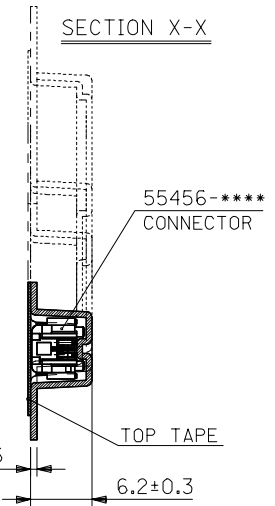
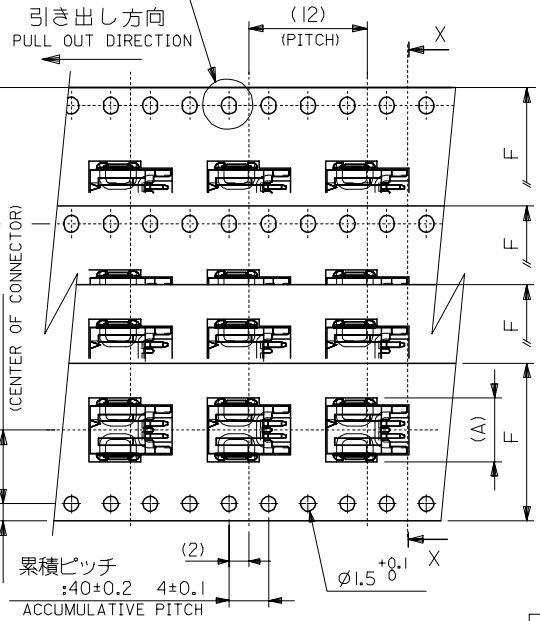
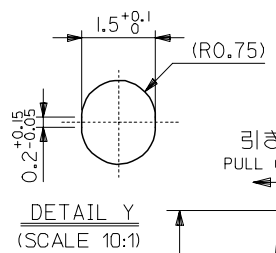
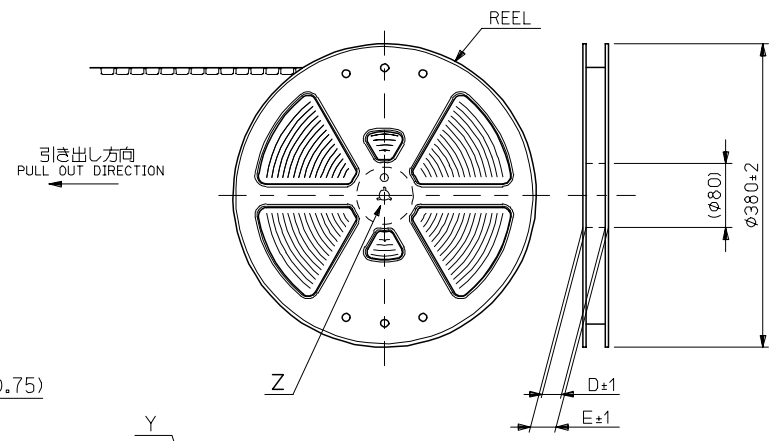
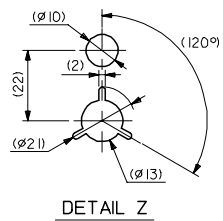
色 COLOR 0: 自然色 NATURAL

4. 本製品は 55456-***10/**30/**70/**80 の鉛フリー品である。
THIS PRODUCT IS LEAD FREE OF 55456-***10/**30/**70/**80.

RELEASED EC NO: J2005-2224 2005/02/24 DRWN:NAIDA 2005/02/25 CHKD:KTOJO 2005/03/02 APPR:NUKITA	GENERAL TOLERANCES (UNLESS SPECIFIED)		DIMENSION STYLE MM ONLY		SCALE 4:1	DESIGN UNITS METRIC	THIRD ANGLE PROJECTION
	10 UNDER	±0.2	DRAWN BY N.AIDA	DATE '05/02/04	MINI M12 1-ROW R/A SMT ASS'Y -LEAD FREE-		
	10 OVER 30 UNDER	±0.25	CHECKED BY K.TOJO	DATE '05/02/04			
	30 OVER	±0.3	APPROVED BY N.UKITA	DATE '05/02/04	MOLEX INCORPORATED SD-55456-010		
ANGULAR	±3 °	MATERIAL NO.	DOCUMENT NO.	SHEET NO.			
0	DRAFT WHERE APPLICABLE MUST REMAIN WITHIN DIMENSIONS		SEE CHART		1 OF 2		
THIS DRAWING CONTAINS INFORMATION THAT IS PROPRIETARY TO MOLEX INCORPORATED AND SHOULD NOT BE USED WITHOUT WRITTEN PERMISSION							

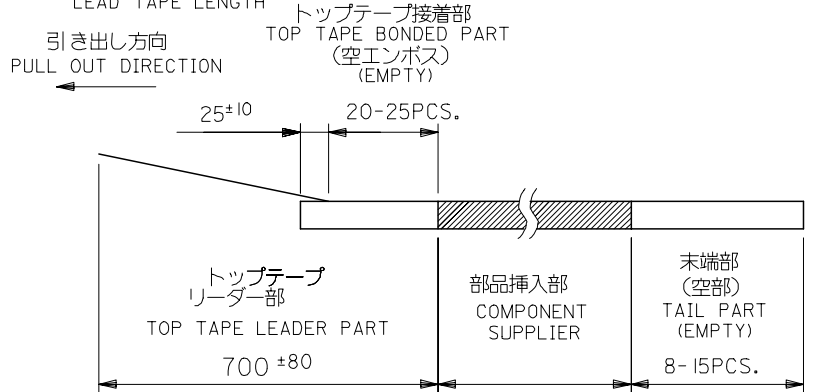


RELEASED EC NO: J2005-2224 DRAWN: NAIDA 2005/02/24 CHYK: KTOJO 2005/02/25 APPR: NUKITA 2005/03/02	GENERAL TOLERANCES (UNLESS SPECIFIED)		DIMENSION STYLE MM ONLY		SCALE 4:1	DESIGN UNITS METRIC	THIRD ANGLE PROJECTION		
	10 UNDER	±0.2	DRAWN BY N. AIDA		DATE '05/02/04	TITLE MINI MI2 1-ROW R/A SMT ASS'Y -LEAD FREE-			
	10 OVER 30 UNDER	±0.25	CHECKED BY K. TOJO		DATE '05/02/04				
	30 OVER	±0.3	APPROVED BY N. UKITA		DATE '05/02/04	MOLEX INCORPORATED DOCUMENT NO. SD-55456-010 SHEET NO. 2 OF 2			
	ANGULAR	±3 °	MATERIAL NO.		SEE CHART				
DRAFT WHERE APPLICABLE MUST REMAIN WITHIN DIMENSIONS		SIZE A3		THIS DRAWING CONTAINS INFORMATION THAT IS PROPRIETARY TO MOLEX INCORPORATED AND SHOULD NOT BE USED WITHOUT WRITTEN PERMISSION					

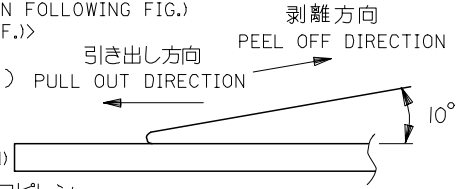


注記
NOTES

- 製品番号 55456-****の詳細寸法については、SD-55456-010を参照下さい。
IN THE PACKAGE, PART NO.55456-**** DETAILED DIMENSION, SEE SD-55456-010
- 梱包数量：1250個/リール
NUMBER OF CONNECTORS:1250 PCS/REEL
- リードテープ長さ
LEAD TAPE LENGTH



- トップテープの剥離強度：0.1~1.3 (10~130gf)
(剥離方向は下図参照)
<剥離速度：300mm/min (参考)>
PEEL-OFF FORCE OF TOP TAPE: 0.1~1.3 (10~130gf)
<PEELING DIRECTION AS SHOWN IN FOLLOWING FIG.>
<PEEL-OFF SPEED:300mm/min (REF.)>
尚、本規格値は、出荷時に適用。
(但し、輸送時に剥離が発生しない事。)
THIS RESOURCE SHOULD BE APPLIED AT SHIPMENT
(PEEL OFF SHOULD NOT BE ALLOWED, DURING TRANSPORTATION)



- 材料
MATERIAL
キャリアテープ：ポリプロピレン
CARRIER TAPE :POLYPROPYLENE
トップテープ：PET, PE, PP
TOP TAPE :PET,PE,PEF
リール：ポリスチレン
REEL:POLYSTYRENE
- 本製品は55456-***19/**39/**79/**89の鉛フリー品である。
THIS PRODUCT IS LEAD FREE OF 55456-***19/**39/**79/**89.

RELEASED EC NO: J2005-2224 DRAWN: NAIDA CHKD: KTOJO APPR: NUKITA 2005/02/24 2005/02/25 2005/03/02	GENERAL TOLERANCES (UNLESS SPECIFIED)		DIMENSION STYLE MM ONLY		SCALE 2:1	DESIGN UNITS METRIC	THIRD ANGLE PROJECTION
	10 UNDER	±0.2	DRAWN BY N. AIDA	DATE '05/02/04	TITLE EMBOSSSED TAPE PACKAGE FOR 55456-**** -LEAD FREE-		
	10 OVER 30 UNDER	±0.25	CHECKED BY K. TOJO	DATE '05/02/04			
	30 OVER	±0.3	APPROVED BY N. UKITA	DATE '05/02/04	MOLEX INCORPORATED		
	ANGULAR	±3 °	MATERIAL NO.	DOCUMENT NO. SD-55456-011			
0	DRAFT WHERE APPLICABLE MUST REMAIN WITHIN DIMENSIONS		SIZE A3		THIS DRAWING CONTAINS INFORMATION THAT IS PROPRIETARY TO MOLEX INCORPORATED AND SHOULD NOT BE USED WITHOUT WRITTEN PERMISSION		

44	49.4	45.4	40.4	20.2	28.95	55456-2060	55456-2069	55456-**69 ボス無し WITHOUT BOSS	55456-2050	55456-2059	55456-**59 ボス有り WITH BOSS	20	OK				
					27.7	↑	-1960		↑	-1969		↑	-1950	↑	-1959	19	NO
					26.45		-1860			-1869			-1850		-1859	18	OK
					25.2		-1760			-1769			-1750		-1759	17	NO
					23.95		-1660			-1669			-1650		-1659	16	OK
					22.7		-1560			-1569			-1550		-1559	15	NO
32	37.4	33.4	28.4	14.2	21.45		-1460		-1469		-1450		-1459	14	NO		
					20.2		-1360		-1369		-1350		-1359	13	OK		
					18.95		-1260		-1269		-1250		-1259	12	OK		
					17.7		-1160		-1169		-1150		-1159	11	OK		
24	29.4	25.4	→	11.5	16.45		-1060		-1069		-1050		-1059	10	OK		
					15.2		-0960		-0969		-0950		-0959	9	NO		
					13.95		-0860		-0869		-0850		-0859	8	NO		
					12.7		-0760		-0769		-0750		-0759	7	OK		
					11.45		-0660		-0669		-0650		-0659	6	NO		
16	21.4	17.4	→	7.5	10.2		-0560		-0569		-0550		-0559	5	OK		
					8.95		-0460		-0469		-0450		-0459	4	OK		
					7.7		-0360		-0369		-0350		-0359	3	NO		
F キャリアテープ幅 TAPE WIDTH	E	(D)	(C)	(B)	6.45	55456-0260	55456-0269	MODEL NO.	55456-0250	55456-0259	MODEL NO.	2	OK				
					CONNECTOR		エンボス梱包品 製品番号 MATERIAL NO.		CONNECTOR			エンボス梱包品 製品番号 MATERIAL NO.		極数 CIRCUIT SIZE	量産対応 AVAILABLE		

RELEASED EC NO: J2005-2224 2005/02/24 DRAWN: AIDA 2005/02/25 CHKD: KTOJO 2005/03/02 APPR: NUKITA	GENERAL TOLERANCES (UNLESS SPECIFIED)		DIMENSION STYLE MM ONLY		SCALE 2:1	DESIGN UNITS METRIC	THIRD ANGLE PROJECTION	
	10 UNDER	±0.2	DRAWN BY DATE N. AIDA '05/02/04		TITLE EMBOSSD TAPE PACKAGE FOR 55456-**** -LEAD FREE-			
	10 OVER 30 UNDER	±0.25	CHECKED BY DATE K. TOJO '05/02/04					
	30 OVER	±0.3	APPROVED BY DATE N. UKITA '05/02/04		MOLEX MOLEX INCORPORATED			
	ANGULAR ±3 °	DRAFT WHERE APPLICABLE MUST REMAIN WITHIN DIMENSIONS		MATERIAL NO. SEE CHART		DOCUMENT NO. SD-55456-011	SHEET NO. 2 OF 2	
0	SIZE A3 THIS DRAWING CONTAINS INFORMATION THAT IS PROPRIETARY TO MOLEX INCORPORATED AND SHOULD NOT BE USED WITHOUT WRITTEN PERMISSION							