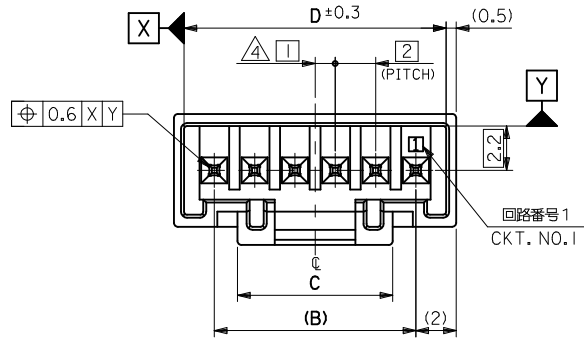


注記  
NOTES

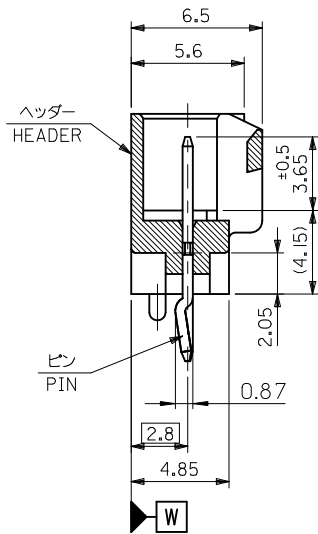
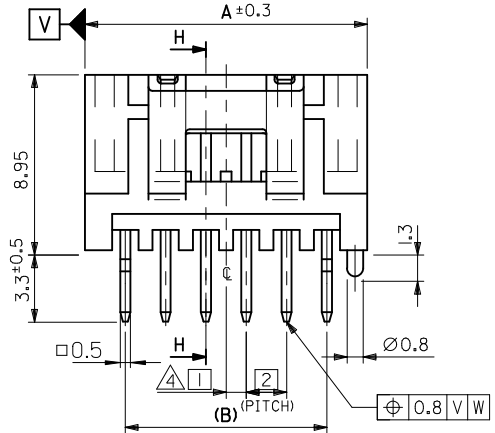
1. 材料 MATERIAL  
 ピン : 黄銅, 銅下地 錫メッキ  
 PIN : BRASS, TIN OVER Cu PLATED  
 ヘッダー : 66ナイロン (ガラス入り:20%), UL94V-0  
 (色: 自然色もしくは染色)  
 HEADER : NYLON66(G.F.:20%), UL94V-0  
 (COLOR : NATURAL OR DYED COLOR )
2. 嵌合相手 : 51216シリーズ  
 MATE WITH : 51216 SERIES
3. ソルダータールキンは、両端のピンのみとする。  
 KINK TO BE APPLIED FOR 2 PINS AT BOTH ENDS.
4. 偶数極に適用。  
 APPLY EVEN CIRCUIT PRODUCTS.
5. 本製品は 55755\*\*10 の鉛フリー品である。  
 THIS PRODUCT IS LEAD FREE OF 55755\*\*10.
6. ELV及びRoHS適合品。  
 ELV AND RoHS COMPLIANT.

5	6	2	6	557550214	557550219	2
D	C	B	A	MATERIAL NO. BLUE	MATERIAL NO. NATURAL	CKT.
TRAY PACKAGE						
オーダー番号 ORDER NO.						
CONNECTOR SERIES NO. 55755****						

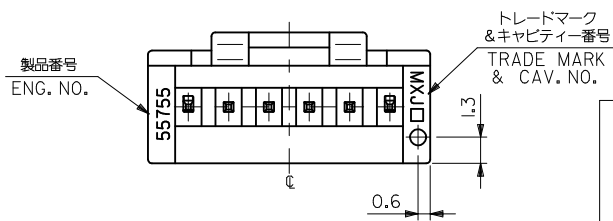
REVISED EC NO: J2012-0275 2011/08/24 DRW: NESATO CHKD: KASAKAWA 2011/08/25 APPR: NUKITA 2011/09/27	DESCRIPTION GENERAL TOLERANCES (UNLESS SPECIFIED)	10 UNDER	±0.2	DIMENSION STYLE MM ONLY	SCALE 4:1	DESIGN UNITS METRIC	THIRD ANGLE PROJECTION	
		10 OVER 30 UNDER	±0.25	DRAWN BY M. NABEI	DATE '05/01/24	TITLE 2.0 MM WIRE TO BOARD CONN. HEADER ASSY (ST) -LEAD FREE-		
		30 OVER	±0.3	CHECKED BY K. TOYODA	DATE '05/01/24	APPROVED BY N. UKITA '05/01/24		
		ANGULAR	±3 °	MATERIAL NO. SEE CHART		DOCUMENT NO. SD-55755-005		
A	REV	DRAFT WHERE APPLICABLE MUST REMAIN WITHIN DIMENSIONS		SIZE A3	THIS DRAWING CONTAINS INFORMATION THAT IS PROPRIETARY TO MOLEX INCORPORATED AND SHOULD NOT BE USED WITHOUT WRITTEN PERMISSION			



3極以上品



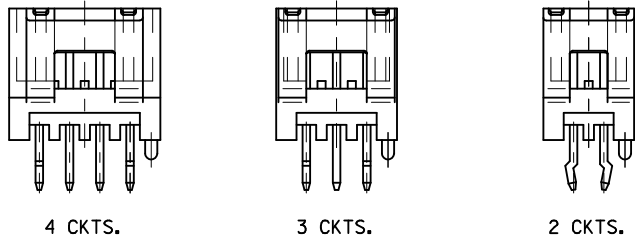
SECT H-H



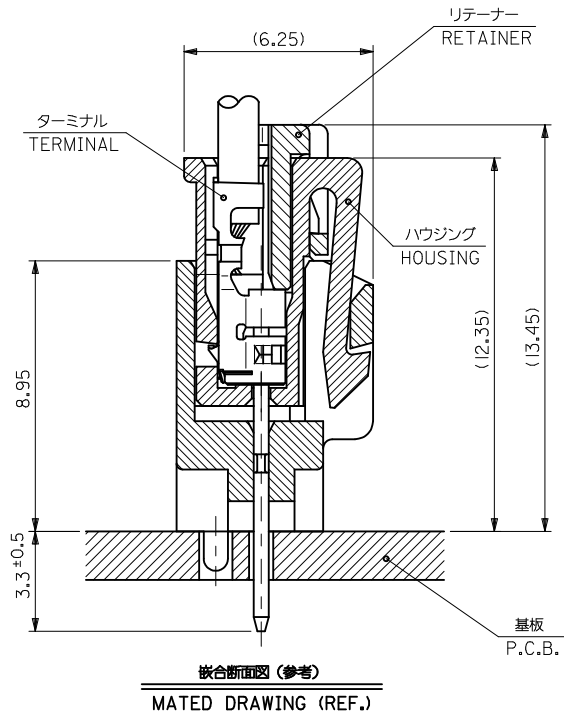
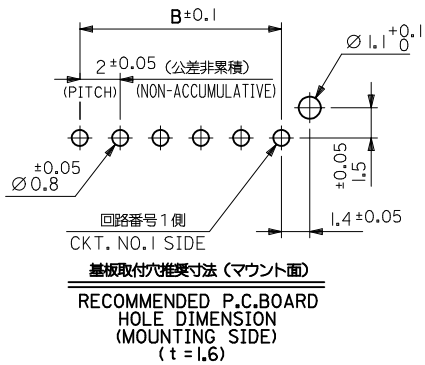
31	7.7	28	32		557551519	15
29		26	30		1419	14
27		24	28		1319	13
25		22	26		1219	12
23		20	24		1119	11
21		18	22		1019	10
19		16	20		0919	9
17		14	18		0819	8
15		12	16		0719	7
13		10	14	557550613	0619	6
11		8	12		0519	5
9		6	10	557550413	0419	4
7	7.7	4	8		557550319	3
D	C	B	A	MATERIAL NO. YELLOW	MATERIAL NO. NATURAL	CKT.
TRAY PACKAGE						
オーダー番号 ORDER NO.						
CONNECTOR SERIES NO. 55755****						

REVISED EC NO.: J2012-0275 2011/08/24 DRW: NESATO 2011/08/25 CHKD: KASAKAWA 2011/09/27 APPR: NUKITA	DESCRIPTION GENERAL TOLERANCES (UNLESS SPECIFIED)	10 UNDER	± 0.2	DIMENSION STYLE MM ONLY	SCALE 4:1	DESIGN UNITS METRIC	THIRD ANGLE PROJECTION
		10 OVER 30 UNDER	± 0.25				
		30 OVER	± 0.3				
		ANGULAR	± 3 °				
A	REV	DRAFT WHERE APPLICABLE MUST REMAIN WITHIN DIMENSIONS		SIZE A3	THIS DRAWING CONTAINS INFORMATION THAT IS PROPRIETARY TO MOLEX INCORPORATED AND SHOULD NOT BE USED WITHOUT WRITTEN PERMISSION		

DRAWN BY M. NABEI		DATE '05/01/24	TITLE 2.0 MM WIRE TO BOARD CONN. HEADER ASSY (ST) -LEAD FREE-
CHECKED BY K. TOYODA		DATE '05/01/24	MOLEX MOLEX INCORPORATED
APPROVED BY N. UKITA		DATE '05/01/24	
MATERIAL NO.		DOCUMENT NO. SD-55755-005	SHEET NO. 2 OF 3



極数レイアウト図  
LAYOUT OF EACH CKTS.



REVISED EC NO: J2012-0275 2011/08/24 DRW: NESATO 2011/08/25 CHKD: KASAKAWA 2011/09/27 APPR: NUKITA	DESCRIPTION A	GENERAL TOLERANCES (UNLESS SPECIFIED)		DIMENSION STYLE MM ONLY	SCALE 4:1	DESIGN UNITS METRIC	THIRD ANGLE PROJECTION	
		10 UNDER	± 0.2	DRAWN BY M. NABEI	DATE '05/01/24	TITLE 2.0 MM WIRE TO BOARD CONN. HEADER ASSY (ST) -LEAD FREE-		
		10 OVER 30 UNDER	± 0.25	CHECKED BY K. TOYODA	DATE '05/01/24	MOLEX INCORPORATED		
		30 OVER	± 0.3	APPROVED BY N. UKITA	DATE '05/01/24	MATERIAL NO. SEE SHHE12	DOCUMENT NO. SD-55755-005	SHEET NO. 3 OF 3
ANGULAR ± 3 °		DRAFT WHERE APPLICABLE MUST REMAIN WITHIN DIMENSIONS		THIS DRAWING CONTAINS INFORMATION THAT IS PROPRIETARY TO MOLEX INCORPORATED AND SHOULD NOT BE USED WITHOUT WRITTEN PERMISSION				