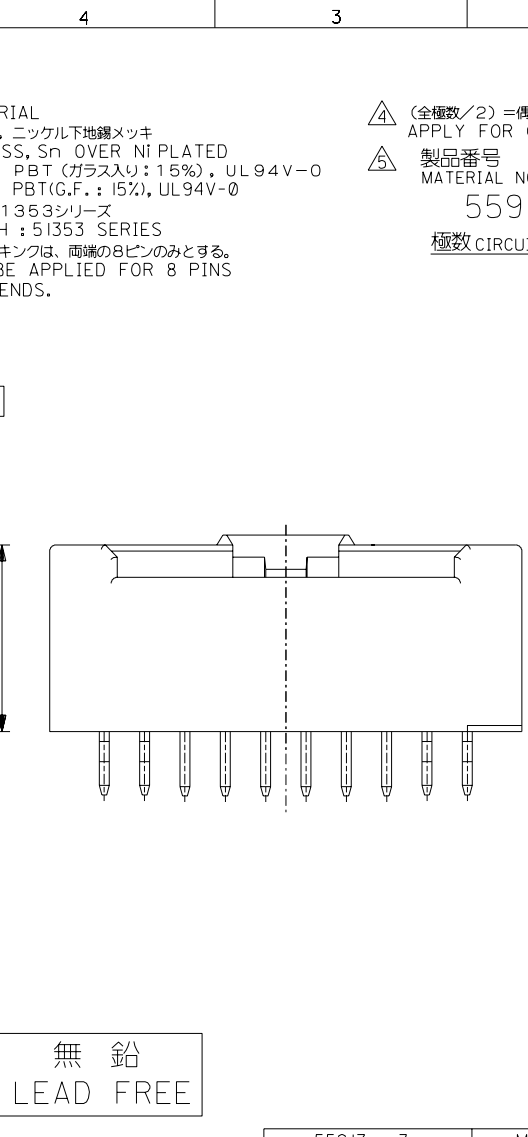
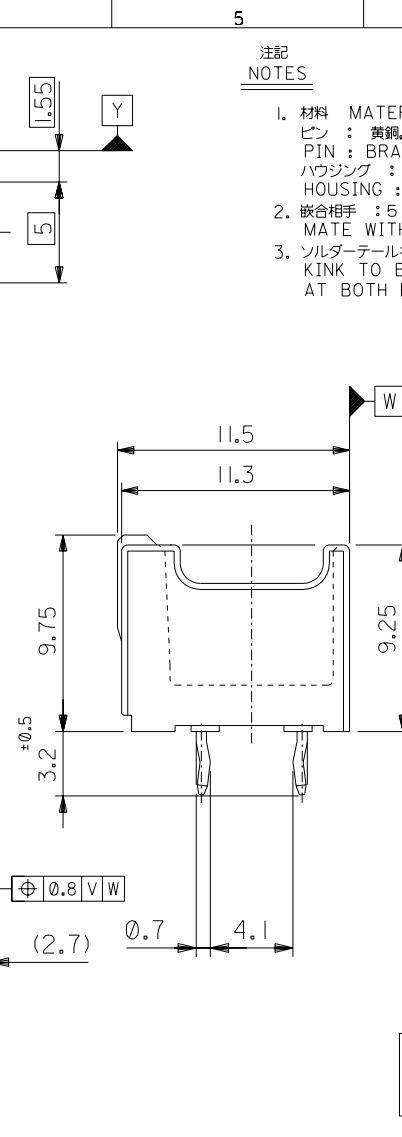
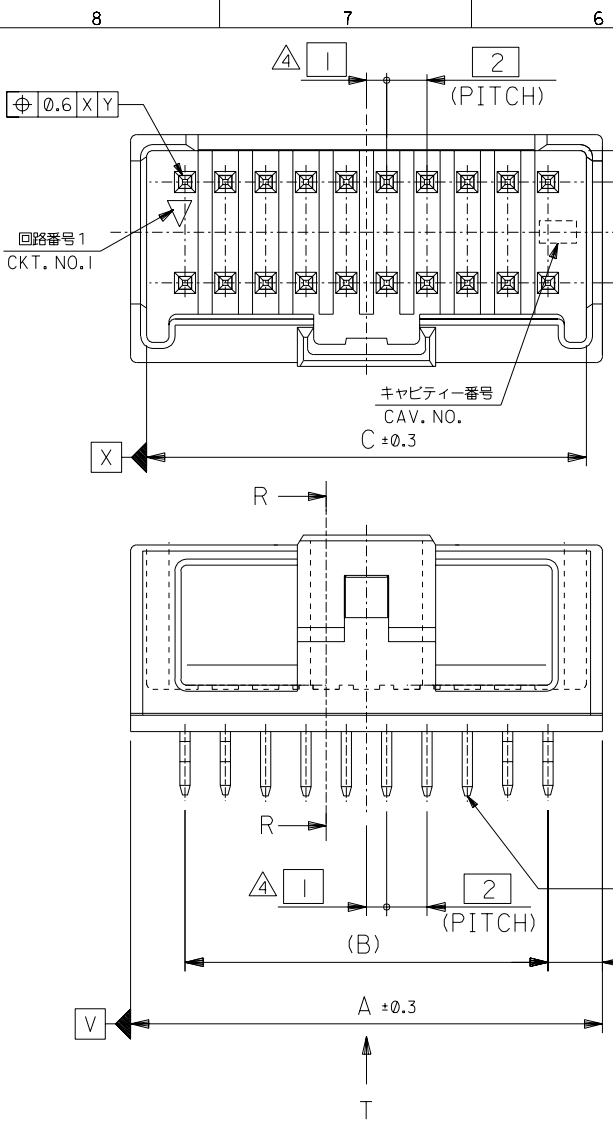


DO NOT SCALE DRAWING



注記 NOTES

- 材料 MATERIAL  
 PIN : BRASS, Sn OVER Ni PLATED  
 ハウジング : PBT (ガラス入り: 15%), UL94V-0  
 HOUSING : PBT(G.F.: 15%), UL94V-0
- 嵌合相手 : 51353シリーズ  
 MATE WITH : 51353 SERIES
- ソルダーテールキンは、両端の8ピンのみとする。  
 KINK TO BE APPLIED FOR 8 PINS AT BOTH ENDS.

△ (全極数/2) = 偶数の場合に適用。  
 APPLY FOR (CIRCUIT/2)=EVEN

△ 製品番号 MATERIAL NO.  
 55917-\*\*\*3\*  
 極数 CIRCUIT SIZE 色 COLOR

ナチュラル (白) NATURAL (WHITE)	0
黒 BLACK	1
赤 RED	2
黄 YELLOW	3
青 BLUE	4
桃 PINK	5
緑 GREEN	6
茶 BROWN	7
橙 ORANGE	8
紫 VIOLET	9

41.8	38	43.4	55917-403*	40
39.8	36	41.4	-383*	38
37.8	34	39.4	-363*	36
35.8	32	37.4	-343*	34
33.8	30	35.4	-323*	32
31.8	28	33.4	-303*	30
29.8	26	31.4	-283*	28
27.8	24	29.4	-263*	26
25.8	22	27.4	-243*	24
23.8	20	25.4	-223*	22
21.8	18	23.4	-203*	20
19.8	16	21.4	-183*	18
17.8	14	19.4	-163*	16
15.8	12	17.4	-143*	14
13.8	10	15.4	-123*	12
11.8	8	13.4	-103*	10
9.8	6	11.4	55917-083*	8
C	B	A	MATERIAL NO.	CKT.

無鉛  
LEAD FREE

REVISED	REVISED	REVISED	RELEASED
03/06/26	03/06/19	02/03/18	02/02/28
K.ASAKAWA	K.ASAKAWA	K.ASAKAWA	K.ASAKAWA
YAMAGUCHI	YAMAGUCHI	YAMAGUCHI	YAMAGUCHI
03/06/26	03/06/19	02/03/18	02/02/28
K.ASAKAWA	K.ASAKAWA	K.ASAKAWA	K.ASAKAWA
YAMAGUCHI	YAMAGUCHI	YAMAGUCHI	YAMAGUCHI

MATERIAL 材料	注記参照 SEE NOTES
FINISH 仕上げ	//
WIRE RANGE 適用線径範囲	//
INS. RANGE 被覆外径	//

GENERAL TOLERANCES: (UNLESS SPECIFIED) 一般公差	SCALE 1:1	DESIGN UNITS 0.25mm / 0.010 INCH
10 UNDER 未満	±0.2	
10 OVER 30 UNDER 未満	±0.25	
30 OVER 以上	±0.3	
ANGLE 角度	±3°	

55917-***3*	MODEL NO.	DIMENSIONS: mm INCH		SHT 1 OF 2	REV
2.0mm W+-B DUAL CONN DIP PLUG HOUSING ASS'Y ST (WITHOUT BOSS)	2.0mm W+-B DUAL CONN DIP PLUG HOUSING ASS'Y ST (WITHOUT BOSS)				
MOLEX INCORPORATED					
CAD FILENAME 55917005.S01	MATERIAL NO. SEE CHART	DRAWING NO. SD-55917-005	SHEET NO. 1 OF 2		
*2888 DRAWING CONTAINS INFORMATION THAT IS PROPRIETARY TO MOLEX INCORPORATED AND SHOULD NOT BE USED WITHOUT WRITTEN PERMISSION.					
					SIZE B

DO NOT SCALE DRAWING

DWG. NO. SD-55917-005

F

D

V

C

B

8

7

F

D

V

C

B

8

6

F

D

V

C

B

7

5

F

D

V

C

B

6

4

F

D

V

C

B

5

3

F

D

V

C

B

4

2

F

D

V

C

B

3

1

F

D

V

C

B

2

8

F

D

V

C

B

8

7

F

D

V

C

B

7

6

F

D

V

C

B

6

5

F

D

V

C

B

5

4

F

D

V

C

B

4

3

F

D

V

C

B

3

2

F

D

V

C

B

2

1

F

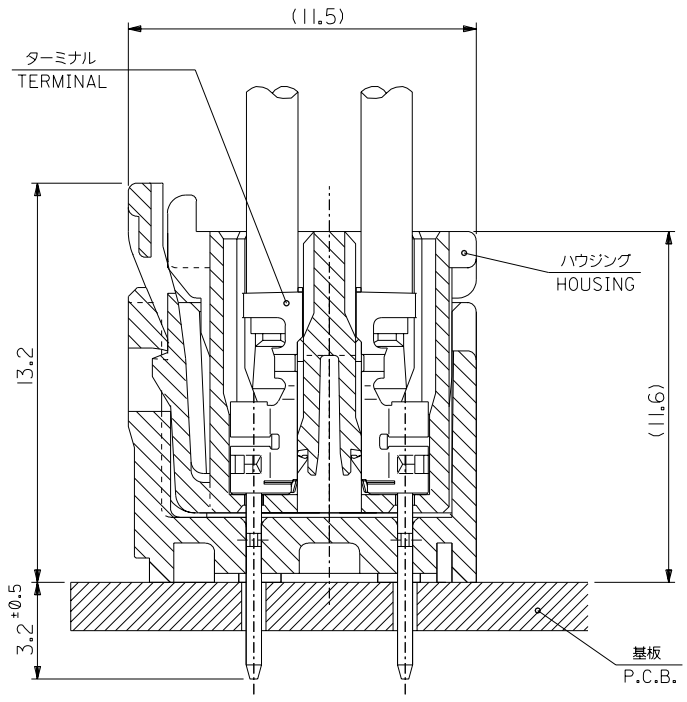
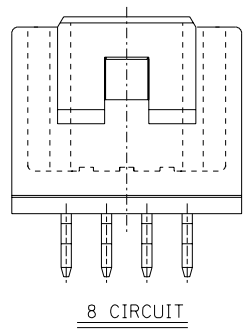
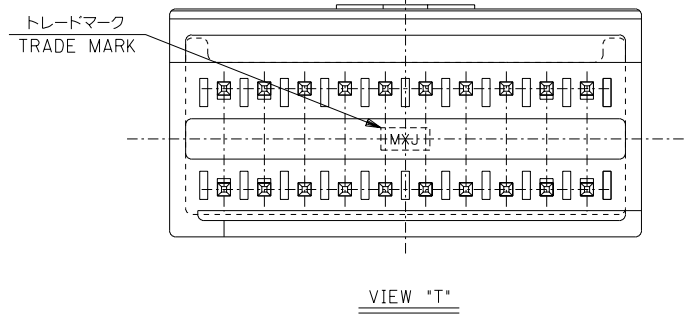
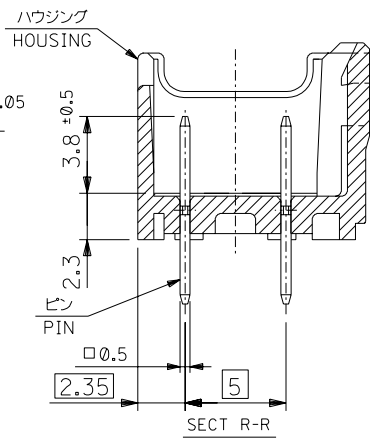
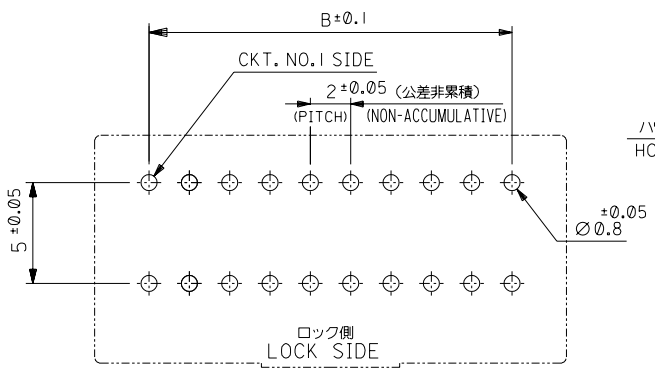
D

V

C

B

1



無鉛  
LEAD FREE

1684NO. DRAWN: CHK: APPR:	REVISED 1683NO. J2003-3290 DRAWN:N.ITO '03/06/26 CHK: K.ASAKAWA APPR:T.YAMAGUCHI	REVISED 1682NO. J2003-3134 DRAWN:N.ITO '03/06/19 CHK: K.ASAKAWA APPR:T.YAMAGUCHI	REVISED 1681NO. J2002-2307 DRAWN:N.ITO '02/03/18 CHK: K.ASAKAWA APPR:T.YAMAGUCHI	RELEASED 1680NO. J2002-1826 DRAWN:N.ITO '02/02/28 CHK: K.ASAKAWA APPR:T.YAMAGUCHI	MATERIAL 材料 // FINISH 仕上げ // WIRE RANGE 適用線径範囲 // INS. RANGE 被覆外径 //	注記参照 SEE NOTES //	GENERAL TOLERANCES: (UNLESS SPECIFIED) 一般公差 10 UNDER 未満 ±0.2 10 OVER 30 UNDER 未満 ±0.25 30 OVER 以上 ±0.3 ANGLE 角度 ±3°
------------------------------------	--	--	--	---	---	-------------------------	---

55917-***3*		MODEL NO.	DIMENSIONS:		SHT	REV	
SCALE 4:1	DESIGN UNITS <input checked="" type="checkbox"/> mm <input type="checkbox"/> INCH	<input checked="" type="checkbox"/> FIRST ANGLE PROJECTION	<input type="checkbox"/> mm <input type="checkbox"/> INCH	<input checked="" type="checkbox"/> mm ONLY	2	2 OF 2	
DRAWN BY & DATE N.ITO '02/02/28		TITLE: 2.0mm W-t-B DUAL CONN DIP PLUG HOUSING ASS'Y ST (WITHOUT BOSS)				MOLEX INCORPORATED	
CHECKED BY & DATE K.ASAKAWA '03/06/26		APPROVED BY & DATE T.YAMAGUCHI '03/06/26		MATERIAL NO. SEE CHART	DRAWING NO. SD-55917-005	SHEET NO. 2 OF 2	
CAD FILENAME 55917005.S02		*THIS DRAWING CONTAINS INFORMATION THAT IS PROPRIETARY TO MOLEX INCORPORATED AND SHOULD NOT BE USED WITHOUT WRITTEN PERMISSION.				SIZE B	