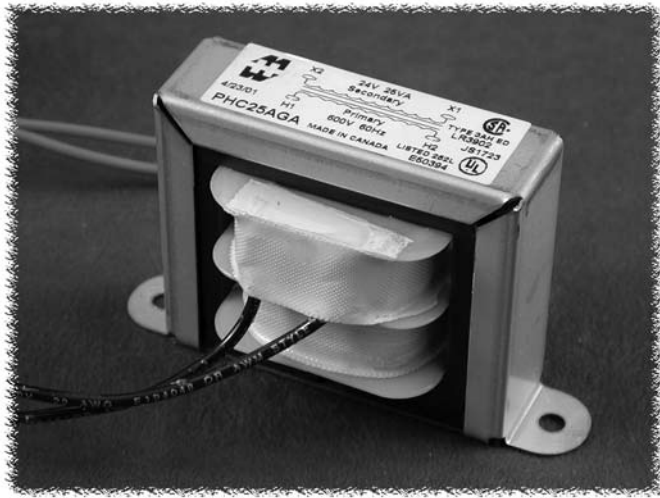


# Small Chassis Mount - Control (PHC Series)

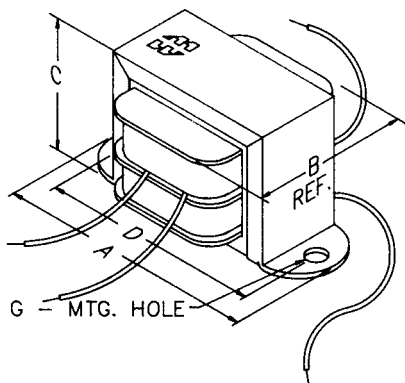
Power



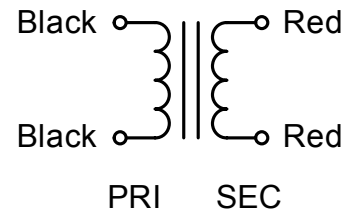
## SMALL CHASSIS MOUNT CONTROL TRANSFORMERS

- Used as a small 24 volt transformer for relay, pilot lights or low voltage, low power control use.
- 60 Hz. operation.
- Four primary voltage selections (120, 208, 347 and 600 VAC)
- Chassis mount.
- Minimum 10" leads.
- CSA certified 3AH (LR3902)
- UL listed (File #E50394)

Part Number	Primary Voltage (VAC)	Secondary Voltage (VAC)	Secondary Current (Amps)	VA	Overall Dimensions (Inches)			Mtg. Hole Centers (Inches) (D)
					Height (C)	Width (A)	Depth (B)	
PHC25JGA	120	24	1.04	25	2.31	3.69	2.13	3.13
PHC50JGA	120	24	2.08	50	2.63	4.00	2.50	3.56
PHC25LGA	208	24	1.04	25	2.31	3.69	2.13	3.13
PHC50LGA	208	24	2.08	50	2.63	4.00	2.50	3.56
PHC25KGA	347	24	1.04	25	2.31	3.69	2.13	3.13
PHC50KGA	347	24	2.08	50	2.63	4.00	2.50	3.56
PHC25AGA	600	24	1.04	25	2.31	3.69	2.13	3.13
PHC50AGA	600	24	2.08	50	2.63	4.00	2.50	3.56



### Transformer Schematic



**CANADA**  
Guelph, Ontario (519) 822-2960  
St. Laurent, Quebec (514) 343-9010  
**USA**  
Cheektowaga, NY (716) 630-7030

[www.hammondmfg.com](http://www.hammondmfg.com)



**EUROPE**  
Basingstoke, UK 01256 812812

**AUSTRALIA**  
Queenstown, Australia 61-8-8240-2244