

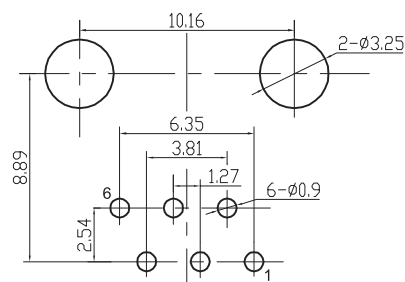
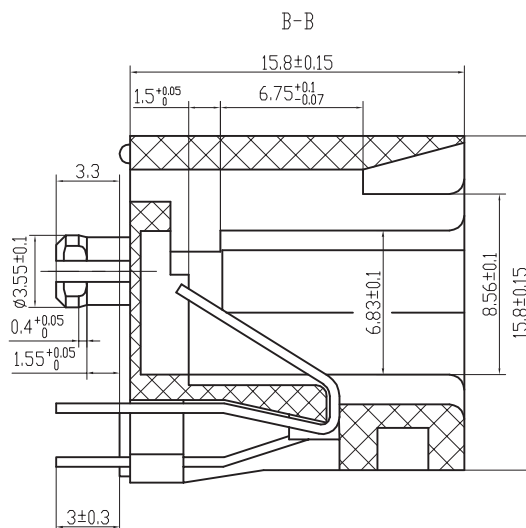
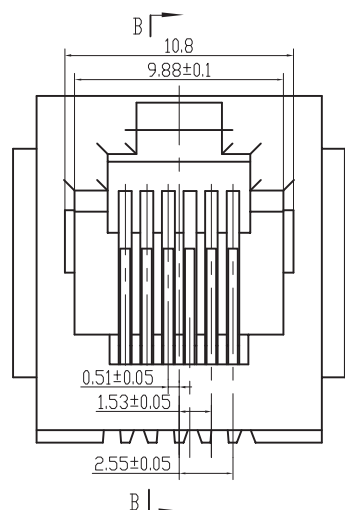
1

2

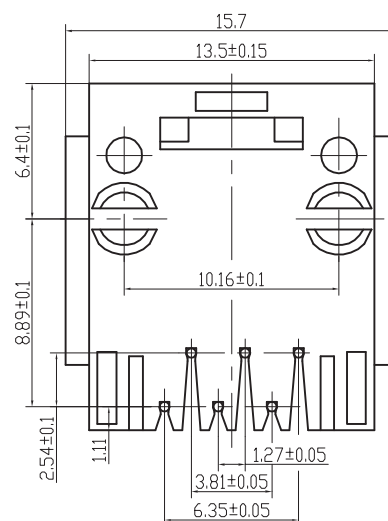
3

4

5



PCB LAYOUT - COMPONENT VIEW  
TOLERANCES ±0.05



#### TECHNICAL CHARACTERISTICS

**MATERIAL**  
 INSULATOR MATERIAL: GLASS FILLED PBT  
 COLOUR: BLACK  
 FLAMMABILITY RATING UL94-V0  
 CONTACT MATERIAL: COPPER ALLOY  
 CONTACT TYPE: STAMPED  
 CONTACT PLATING: SELECTIVE GOLD  
 QUALITY CLASS: 500 MATING CYCLES

**ENVIRONMENTAL**  
 OPERATING TEMPERATURE: -25 °C UP TO 85 °C  
 COMPLIANCE: LEAD FREE AND ROHS

**ELECTRICAL**  
 CURRENT RATING: 1.5 A  
 WORKING VOLTAGE: 120 VAC  
 INSULATION RESISTANCE: >500 MOHM  
 DIELECTRIC WITHSTANDING VOLTAGE: 1 000 VAC/MN  
 CONTACT RESISTANCE: 20 mOHM MAX

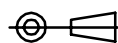
**STANDARD**  
 CERTIFIED: E324776 / MODEL NUMBER 615-V1

**SOLDERING**  
 JEDEC PROCESS ONLY

**PACKAGING**  
 TRAY

RoHS Compliant

PROJECTION:



GENERAL TOLERANCE

.X = +/- 0.2

.XX = +/- 0.15



APPROVAL: RJ

UNIT: MM

SCALE:

SHEET: 1/1

DRAW:

DESCRIPTION: VERTICAL PLASTIC 6P6C MODULAR JACK WITH EARS

WERI PART NO: 615 006 138 521

SIZE

**A4**

H 19-AUG-13 DIM CORRECTION QL

REV DATE FILE BY