

TECHNICAL CHARACTERISTICS

MATERIAL  
 INSULATOR: NYLON 9T  
 FLAMABILITY RATING: UL94-V0  
 COLOR: BLACK  
 CONTACT MATERIAL: COPPER ALLOYS  
 CONTACT TYPE: STAMPED  
 CONTACT PLATING: SELECTIVE GOLD  
 SHIELDING: BRASS NI PLATED  
 QUALITY CLASS: 1500 MATING CYCLE

ENVIRONMENTAL  
 OPERATING TEMPERATURE: -40 UP TO 105°C  
 COMPLIANCE: LEAD FREE AND ROHS

ELECTRICAL  
 CURRENT RATING: 1.5 A max  
 WORKING VOLTAGE: 30V  
 INSULATOR RESISTANCE: >1000 MOHM  
 DIELECTRIC WITHSTANDING VOLTAGE: 750V AC/MN  
 CONTACT RESISTANCE: 20 mOHM MAX

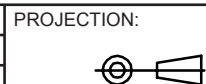
STANDARD  
 CERTIFIED: E323964 / MODEL NUMBER 629-1427

SOLDERING  
 REFLOW PROCESS ONLY

PACKAGING  
 TAPE & REEL

PCB LAYOUT - COMPONENT VIEW

RoHS Compliant			
G			
F	18-FEB-13	DESIGNATION	AR
E	08-NOV-11	CURRENT RATING	GG
D	22-JUN-11	CURRENT RATING	GG
C	19-NOV-09	STANDARD	JP
B	28-JUL-09	SHIELDING	JP
A	09-JUL-08	PDF	RB
REV	DATE	FILE	BY



APPROVAL: CH

GENERAL TOLERANCE

.X =  $\pm 0.2$   
 .XX =  $\pm 0.15$

UNIT: MM

SCALE:

SHEET: 1/2

DRAW: MIKE

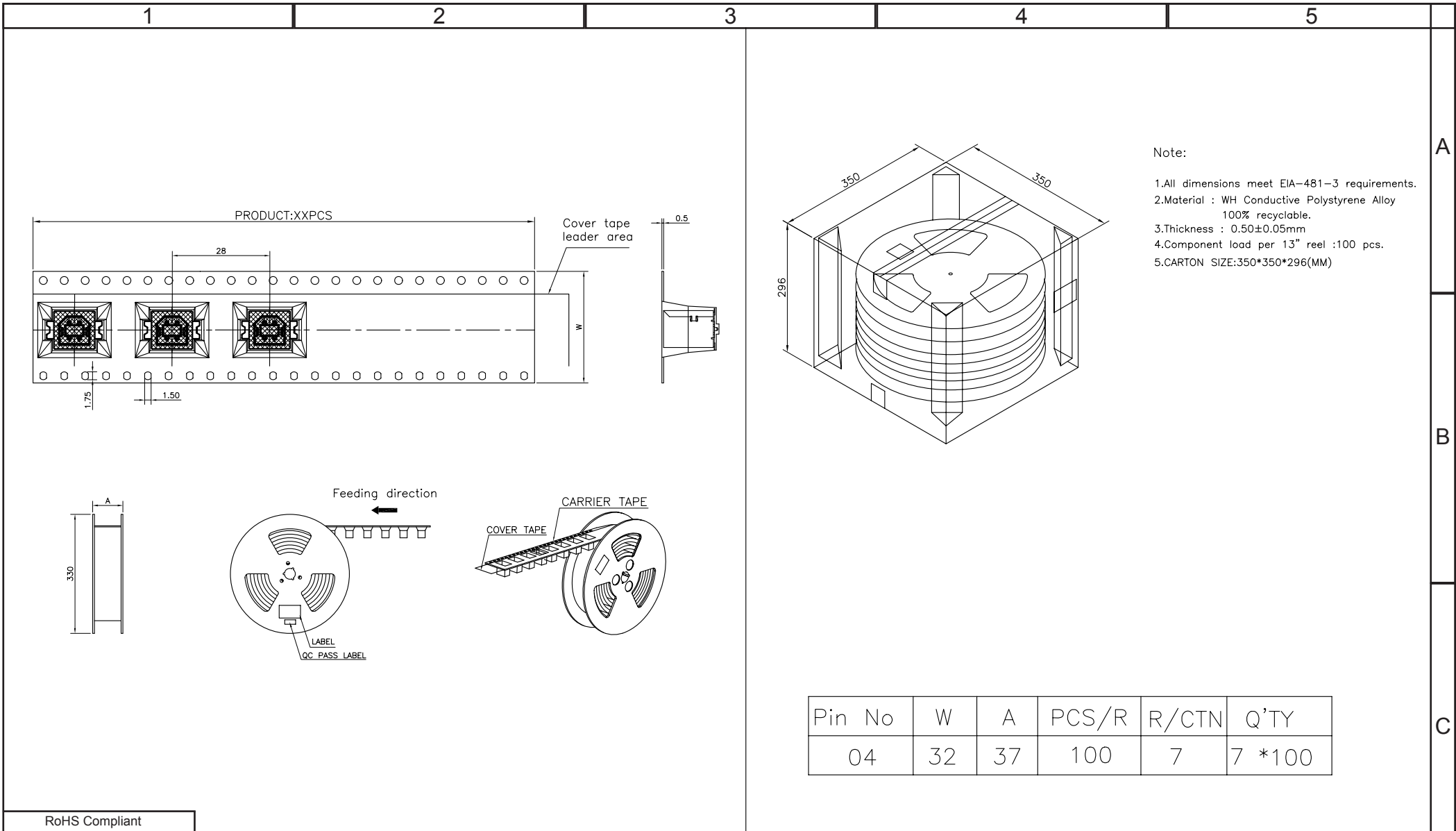


DESCRIPTION: USB 2.0 B FEMALE VERTICAL SMD TYPE

WERI PART NO: 629 104 142 721

SIZE

**A4**



RoHS Compliant				
G				
F				
E				
D				
C				
B				
A				
REV	DATE	FILE	BY	

PROJECTION:	
APPROVAL: CH	

GENERAL TOLERANCE
.X = +/- 0.2
.XX = +/- 0.15
UNIT: MM
SCALE:
SHEET:2/2
DRAW: WGL



DESCRIPTION: USB B FEMALE VERTICAL SMD TYPE	SIZE <b>A4</b>
WERI PART NO: 629104142721	