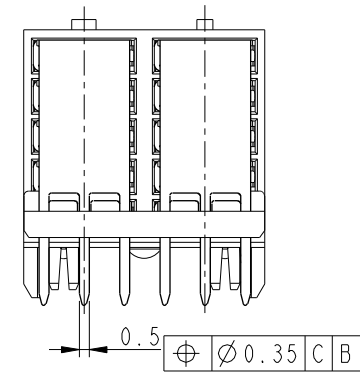
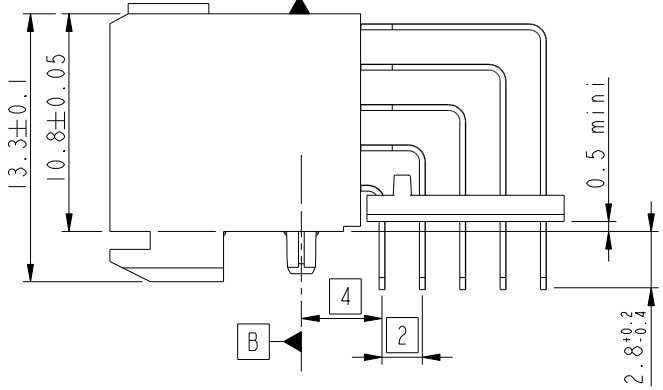
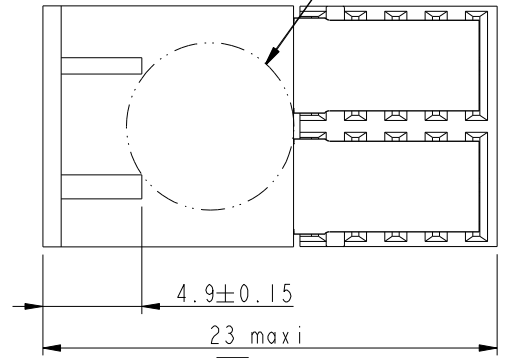
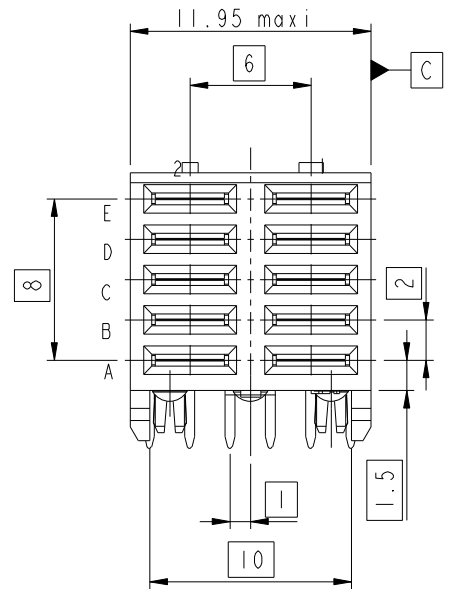


PRODUCT NUMBER
SHEET 2

AREA FOR VACCUM NOZZLE (Ø8 MAX)

NOTES :
1-Housing material: Glass filled thermoplastic LCP flame retardant per UL 94 V0 color : Naturel (white)
2-Wafer material: Glass filled thermoplastic flame retardant UL 94 V0 -color : black



NOTE : RoHS INFORMATION
- The LF product meets European Directives and other country regulations as described in GS-22-008
- The housing will withstand exposure to 260°C peak temperature for 30 s in a convection ,infra red or vapor reflow oven
-See applications notes/procedures if they are available
- Packaging spec: See GS-14-920

Hold down feature
See detailed P/N
Sheet 2

Copyright FCI

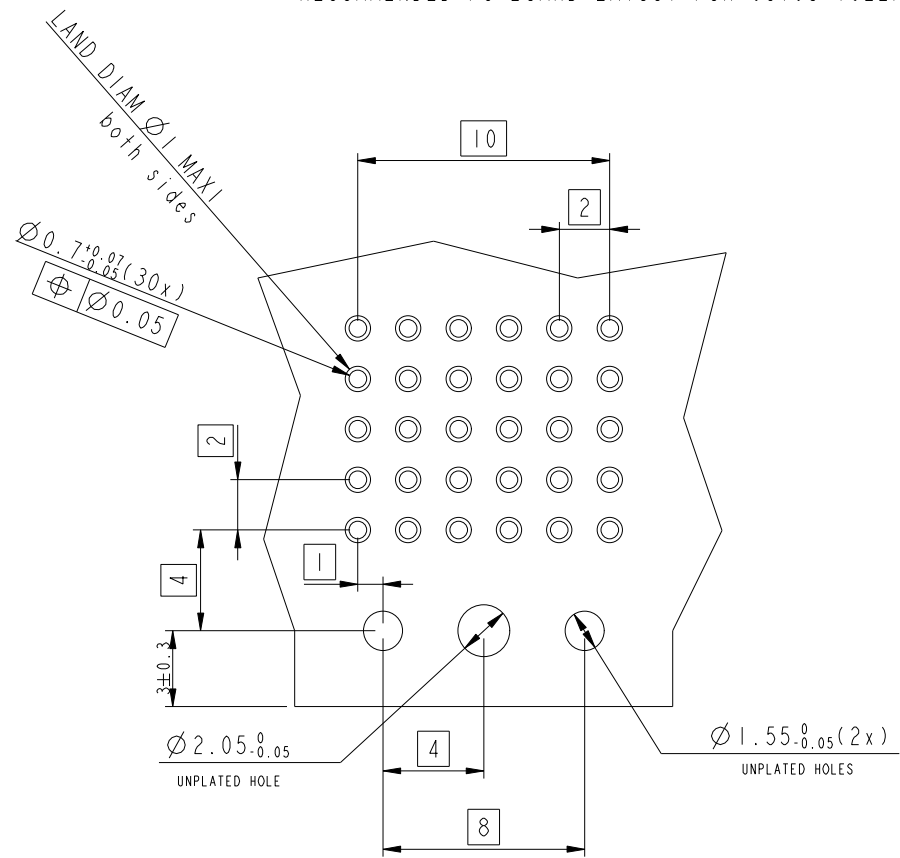
rev	ecn no	dr	date
G	DG09-0390	Cenh	2009-12-15
H	DG09-0399	Cenh	2009-12-23
-	-	-	-
C	LS05-0124	MLE	2005-12-12
D	LS06-0084	LGO	2006-06-30
E	DG09-0253	Cenh	2009-08-06
F	DG09-0271	Cenh	2009-08-19

www.fciconnect.com		surface -- ✓ ISO 1302	tolerance std ISO 406 ISO 1101	projection mm	TOLERANCES UNLESS OTHERWISE SPECIFIED	
Dr	M Lenoir	2001-10-15	ANGULAR	LINEAR	0.X ±0.3	size A3
Eng	Cenh	2001-10-15	0° ±2°	0.XX ±0.1	ECN	Scale 4:1
Chr	Ph Legare	2001-10-15	Product family	0.XXX ±0.05	METRAL	*
Appr	Ph Legare	2001-10-15	Spec ref		--	
FCI		title 5 x 6 RECEPTACLE ASSY		dwg no 63793		Rev. H
		catalog no 63793-101		CUSTOMER		sheet 1 of 3

REV E - 2006-03-28

PRODUCT NUMBER	PERFORMANCE LEVEL	HOLD DOWN FEATURE
63793-101LF	TELCORDIA CO	WITH
63793-101	TELCORDIA CO	
63793-102LF	TELCORDIA CO	WITHOUT

RECOMMENDED PC BOARD LAYOUT FOR 63793-102LF



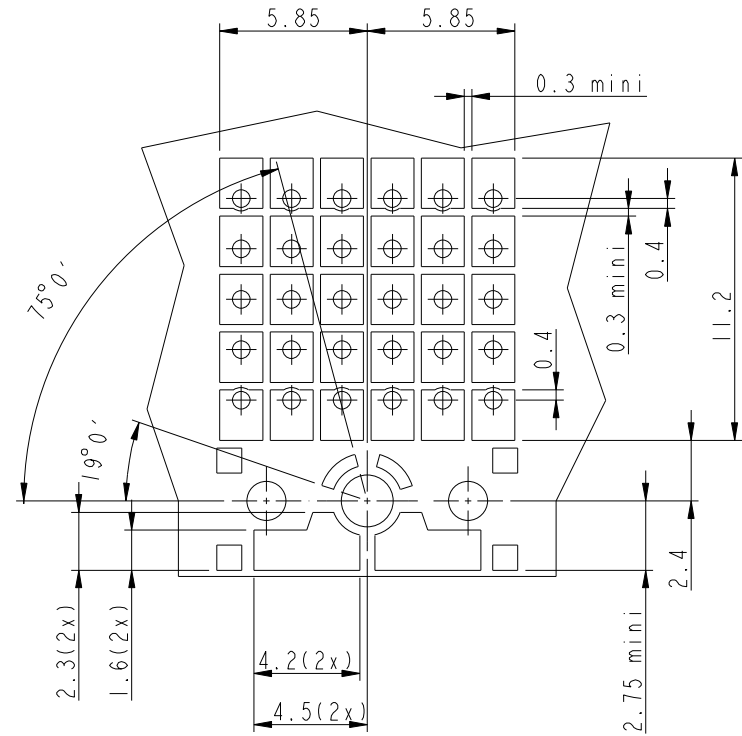
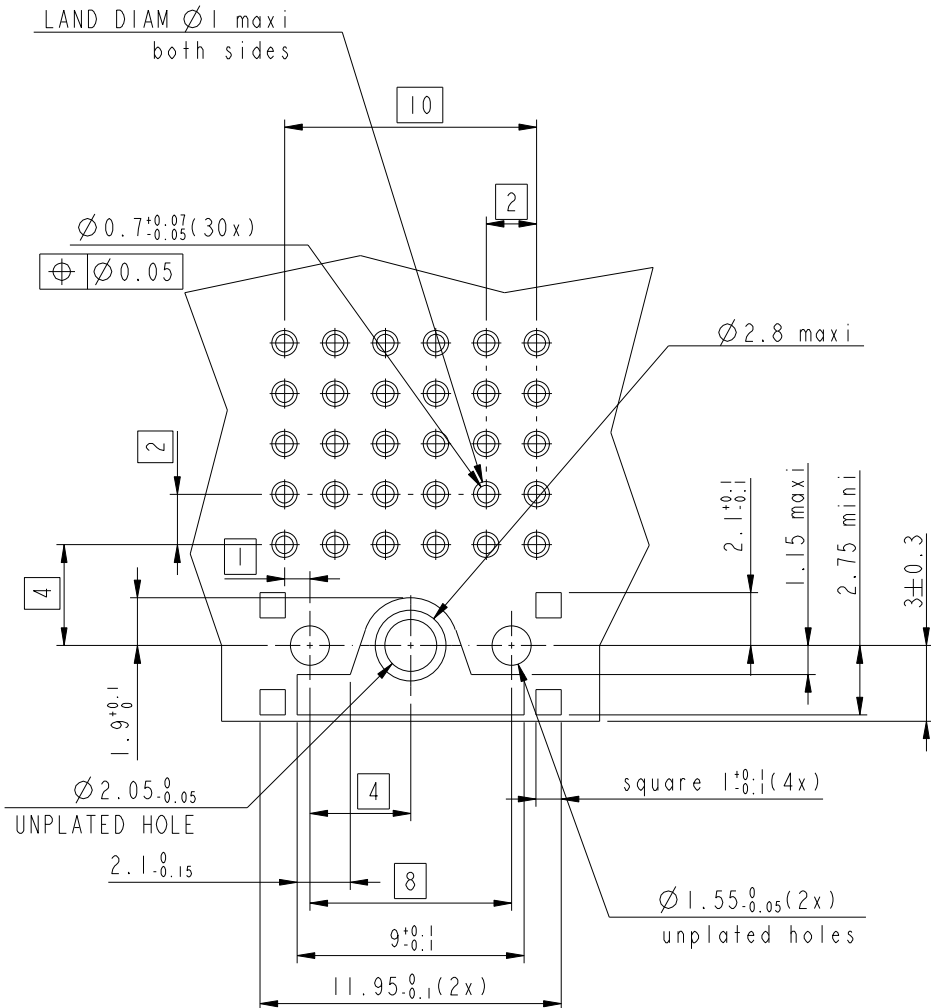
Copyright FCI.

www.fciconnect.com			surface -- ISO 1302	tolerance std ISO 406 ISO 1101	projection 	mm
			TOLERANCES UNLESS OTHERWISE SPECIFIED			
Dr	M Lenoir	2001-10-15	ANGULAR	0.X	±0.3	size A3
Eng	Cenh	2001-10-15	LINEAR	0.XX	±0.1	Scale 4:1
Chr	Ph Legare	2001-10-15	0° ±2°	0.XXX	±0.05	ECN *
Appr	Ph Legare	2001-10-15	Product family	METRAL		Spec ref --
			Title 5 x 6 RECEPTACLE ASSY FEMALE POWER PIP		dwg no 63793	Rev. H
			catalog no 63793-101	CUSTOMER	sheet 2 of 3	

REV E - 2006-03-28

RECOMMENDED PC BOARD LAYOUT FOR 63793-101(LF)

RECOMMENDED STENCIL LAYOUT FOR 63793-101(LF)



Copyright FCI.

www.fciconnect.com		surface -- <input checked="" type="checkbox"/> ISO 1302	tolerance std ISO 406 ISO 1101	projection	mm
TOLERANCES UNLESS OTHERWISE SPECIFIED					
Dr	M Lenoir	2001-10-15	ANGULAR	0.x ±0.3	size A3
Eng	Cenh	2001-10-15	LINEAR	0.xx ±0.1	Scale 4:1
Chr	Ph Legare	2001-10-15	0° ±2°	0.xxx ±0.05	ECN *
Appr	Ph Legare	2001-10-15	Product family	METRAL	Spec ref --
	Title 5 x 6 RECEPTACLE ASSY		dwg no 63793		Rev. H
		FEMALE POWER PIP		CUSTOMER	sheet 3 of 3
		catalog no 63793-101			

REV E - 2006-03-28