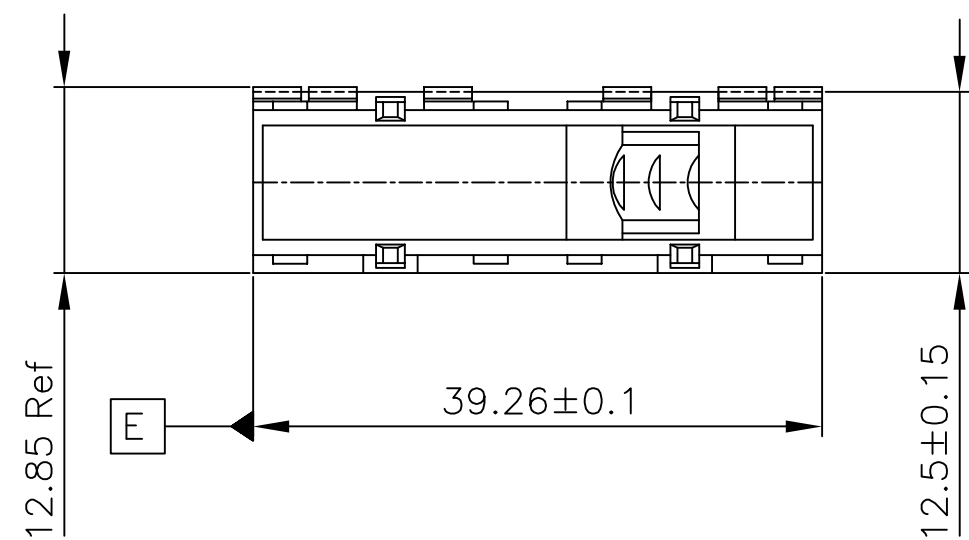
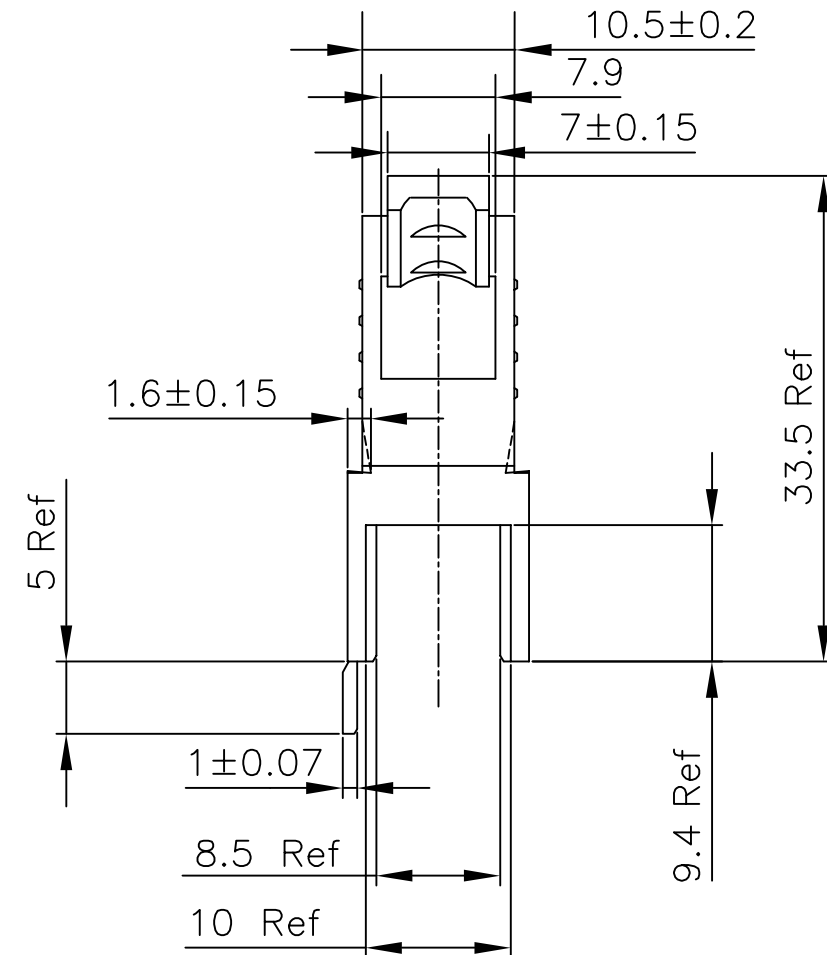
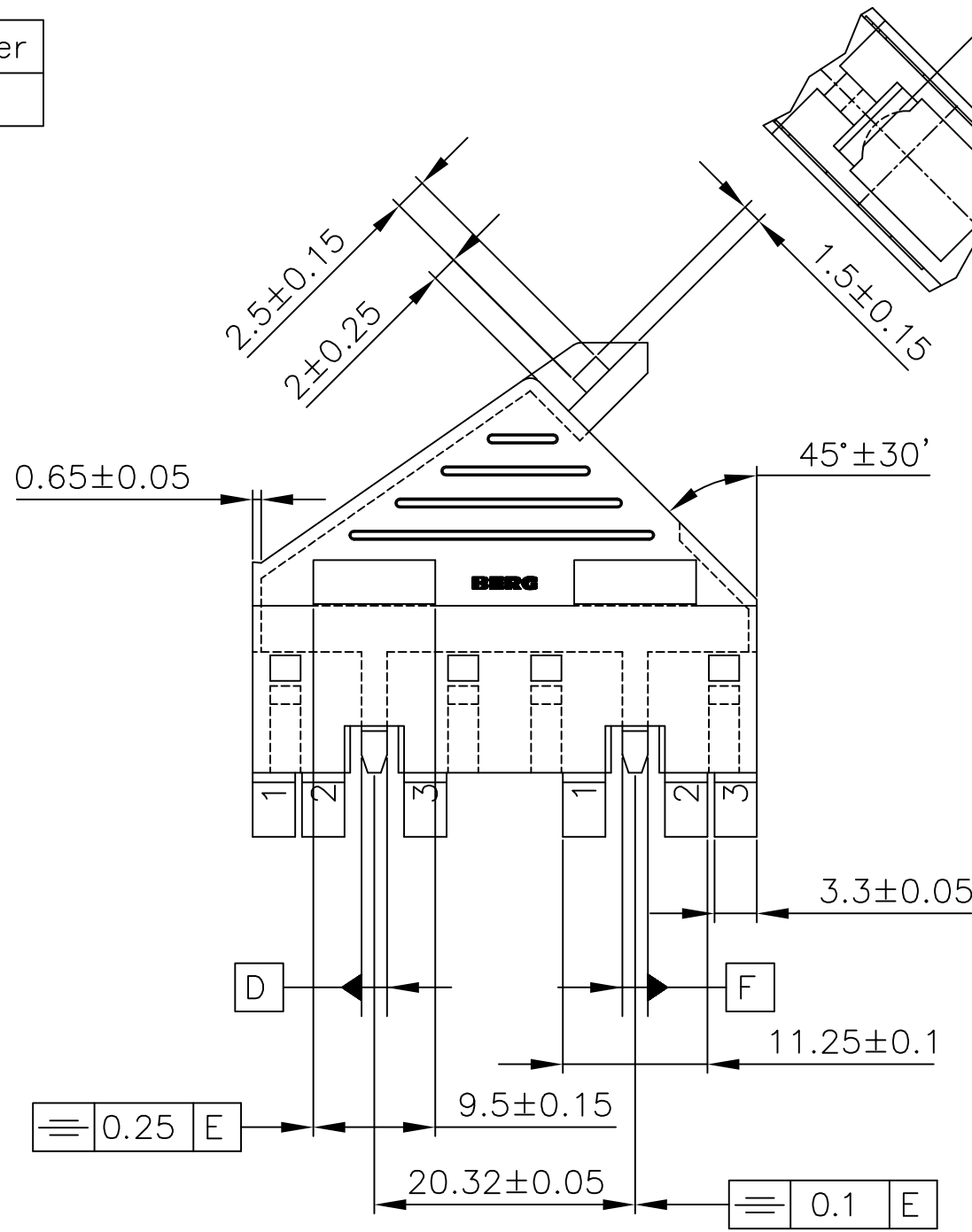


Product number
65200-001

Material: Thermoplastic polyester, 30% Glassfilled
Colour: Black; UL-94-V0



NOTES:-

1. THIS PRODUCT MEETS EUROPEAN UNION DIRECTIVES AND OTHER COUNTRY REGULATIONS AS DESCRIBED IN GS-22-008.
2. LEADFREE OR RoHS DIRECTIVE LABELLING TO BE PROVIDED AS PER GS-14-920.
3. " LF " SUFFIX TO PRODUCT NUMBER FOR RoHS COMPATIBLE/ LEADFREE VERSION.
4. PARTS WITH AND WITHOUT "LF " SUFFIX ARE FORM-FIT AND FUNCTIONALLY IDENTICAL. " LF " SUFFIX PROVIDED FOR PART NUMBER STANDARDISATION OF PART THAT MEETS RoHS REQUIREMENTS.

mat'l. code See note		surface ISO 1302	tolerance ISO 406	projection ISO 1101	product family Backpanel
ltr	ecn no	dr	date	tolerances unless otherwise specified	title 2x3x7 pos.. COVER
B	BNL4180	LNA	821119	angles linear	scale 2:1
C	H40359	AO	940530		
D	H40431	DDB	940705		
E	H40762	DDB	941128	dr Oppers.A 940530	
F	H40711	RVI	950206	engr Loman.M 940530	
G	05-0123	MINI	05.07.27	chr Rakhee George 05.11.22	
H	05-0248	MINI	05.11.22	app Rakhee George 05.11.22	type CUSTOMER Drawing
sheet index	revision sheet	H	1		



Copyright FCJ