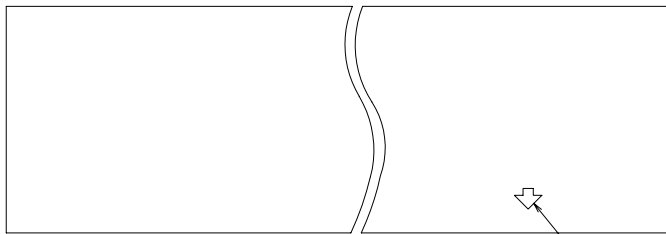




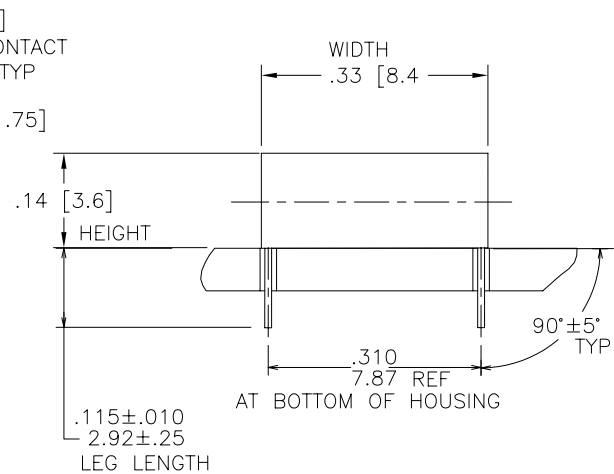
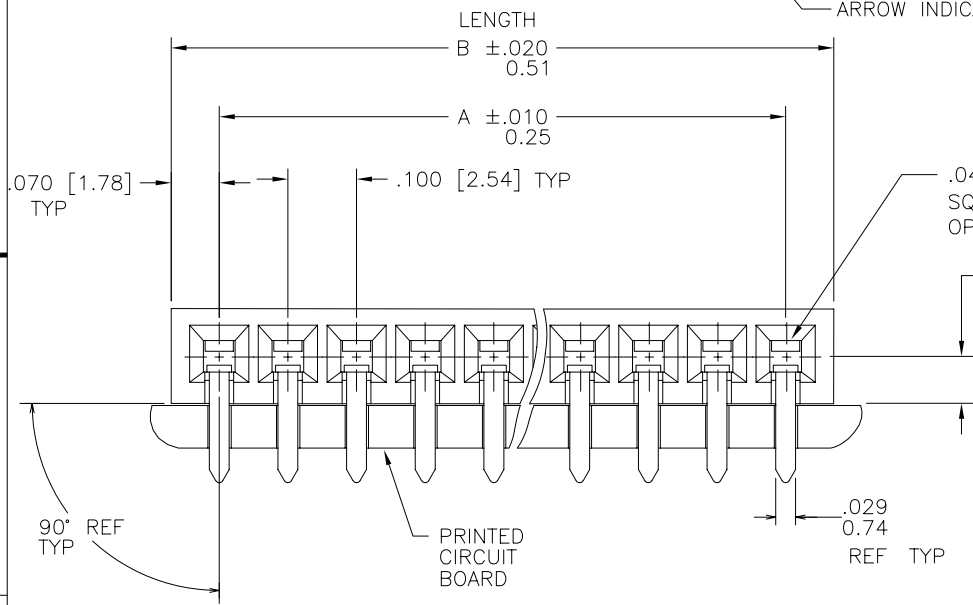
FCIconnect.com

Copyright FCI

PRODUCT NO  
SEE TABLE



ARROW INDICATES PIN INSERTION SIDE



mat'l. code			surface ISO 1302 ✓		tolerance ISO 406 ISO 1101		projection INCH/MM		product family CARD CONN				
ltr			ecn no		dr		date		tolerances unless otherwise specified		title		
F			V31386		MRC		9/15/93		.XX±.01/.X±.3		1X.100/2.54		
G			V60167		EPK		3/13/96		linear .XXX±.0.005/.XX±.13		CARD CONNECTOR		
H			V61642		LSS		11/26/96		.000XX±.0020/.XXX±.051		scale 4:1		
J			V70998		EPK		9/25/97		dr B.ASHREFI 108/91		dwg no sheet 1 of 4 size		
K			V02518		MDF		10/30/00		enr D.NEIDICH 10/21/81		67208 A3		
L			M05-0199		ERE		10/30/00		chr D.NEIDICH 10/12/81				
M			M06-0210		MHT		6/03/06		app D.NEIDICH 10/21/81		type Product Customer Drawing		
sheet index		revision		M		M		M		M			
		sheet		1		2		3		4			

form: A3

PRODUCT NO

SEE TABLE

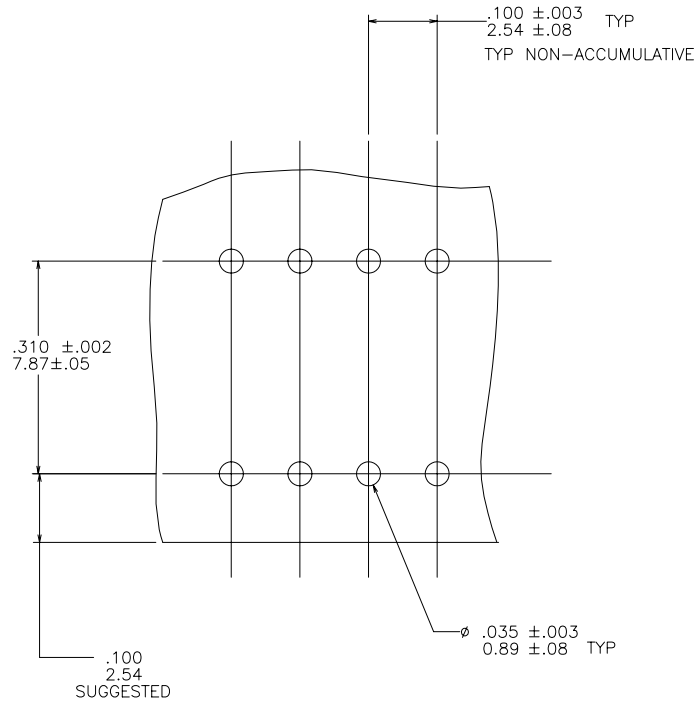


FIGURE 1

NOTES:

- ① HOUSING MATERIAL.  
FILLED HIGH TEMPERATURE NYLON  
COLOR: BLACK
- ② TERMINAL MATERIAL.  
BODY: BRASS .010/.25 THICK.  
SPRING: BE-CU. HEAT TREATED  
BODY PLATING:  
30 MICROINCH GOLD/.76 MICRON OVER 50 MICROINCH  
NICKEL/1.27 MICRON IN CONTACT AREA.  
SPRING PLATING: GOLD FLASH
3. MARK FCI PART NUMBER AND DATE CODE LEGIBLE  
ON TUBE LABEL.
4. APPLICATION INFORMATION.  
A. RECOMMENDED MOUNTING HOLE PATTERN IS SHOWN  
IN FIG. "1".  
B. ALL MATING PINS TO BE .025/.64 SQUARE ON TRUE CENTER  
OF GIVEN TERMINAL SPACINGS WITHIN .015/.38 DIA.  
C. SUGGESTED MATING PIN LENGTH .350±.020/8.89±.51.
- ⑤ ADD "LF" SUFFIX AT THE END OF PART NUMBER  
FOR LEAD FREE OPTION.
- ⑥ THESE PRODUCT MEET EUROPEAN UNION DIRECTIVES AND  
OTHER COUNTRY REGULATIONS AS DESCRIBED IN GS-22-008.
7. THIS PART WILL WITHSTAND EXPOSURE TO 260°C PEAK  
TEMPERATURE FOR 20 SECONDS IN WAVE SOLDER,  
INFRA-RED OR VAPOR PHASE SOLDER PROCESS.



Copyright FCI

mat'l. code		surface ISO 1302 ✓		tolerance ISO 406 ISO 1101		projection ⊕		product family CARD CONN	
ltr	ecn	no	dr	date	tolerances unless otherwise specified		title		
M					angles	linear	INCH/MM		1X.100/2.54
					0°±2'		scale 4:1		CARD CONNECTOR
			dr	B.ASHREFI	108/91			dwg no	sheet 2 of 4 size
			enr	D.NEIDICH	10/21/81			67208	A3
			chr	D.NEIDICH	10/12/81				
			appd	D.NEIDICH	10/21/81				
sheet	revision							type Product Customer Drawing	
index	sheet								

PRODUCT NO	NO. OF POS.	DIM. A ±. 010/0. 25	DIM. B ±. 020/0. 51	LEAD FREE OPTION
67208-001	1X1	. 000/-. 00	. 140/3. 56	OBSOLETE
-002	1X2	. 100/2. 54	. 240/6. 10	NOTE 5
-003	1X3	. 200/5. 08	. 340/8. 64	
-004	1X4	. 300/7. 62	. 440/11. 18	
-005	1X5	. 400/10. 16	. 540/13. 72	
-006	1X6	. 500/12. 70	. 640/16. 26	
-007	1X7	. 600/15. 24	. 740/18. 80	
-008	1X8	. 700/17. 78	. 840/21. 34	
-009	1X9	. 800/20. 32	. 940/23. 88	
-010	1X10	. 900/22. 86	1. 040/26. 42	
-011	1X11	1. 000/25. 40	1. 140/28. 96	
-012	1X12	1. 100/27. 94	1. 240/31. 50	
-013	1X13	1. 200/30. 48	1. 340/34. 04	
-014	1X14	1. 300/33. 02	1. 440/36. 58	
-015	1X15	1. 400/35. 56	1. 540/39. 12	
-016	1X16	1. 500/38. 10	1. 640/41. 66	
-017	1X17	1. 600/40. 64	1. 740/44. 20	
-018	1X18	1. 700/43. 18	1. 840/46. 74	
-019	1X19	1. 800/45. 72	1. 940/49. 28	
-020	1X20	1. 900/48. 26	2. 040/51. 82	
-021	1X21	2. 000/50. 80	2. 140/54. 36	
-022	1X22	2. 100/53. 34	2. 240/56. 90	
-023	1X23	2. 200/55. 88	2. 340/59. 44	
-024	1X24	2. 300/58. 42	2. 440/61. 98	
-025	1X25	2. 400/60. 96	2. 540/64. 52	
-026	1X26	2. 500/63. 50	2. 640/67. 06	
-027	1X27	2. 600/66. 04	2. 740/69. 60	
-028	1X28	2. 700/68. 58	2. 840/72. 14	
-029	1X29	2. 800/71. 12	2. 940/74. 68	
-030	1X30	2. 900/73. 66	3. 040/77. 22	
-031	1X31	3. 000/76. 20	3. 140/79. 76	
-032	1X32	3. 100/78. 74	3. 240/82. 30	
-033	1X33	3. 200/81. 28	3. 340/84. 84	
-034	1X34	3. 300/83. 82	3. 440/87. 38	
-035	1X35	3. 400/86. 36	3. 540/89. 92	
-036	1X36	3. 500/88. 90	3. 640/92. 46	
-037	1X37	3. 600/91. 44	3. 740/95. 00	
-038	1X38	3. 700/93. 98	3. 840/97. 54	
-039	1X39	3. 800/96. 52	3. 940/100. 08	
67208-040	1X40	3. 900/99. 06	4. 040/102. 62	NOTE 5



FCIconnect.com

Copyright FCI

mat'l. code		surface ISO 1302 <input checked="" type="checkbox"/>		tolerance ISO 406 ISO 1101		projection 		product family CARD CONN	
ltr		ecn no		date		tolerances unless otherwise specified		title	
M						.XX±.01/.X±.3 .XXX±.0.005/.XX±.13 .XXXX±.0020/.XXX±.051		INCH/MM	
				0'±2'		linear		scale 4:1	
				dr		B.ASHREFI 108/91		dwg no	
				engr		D.NEIDICH 10/21/81		sheet 3 of 4 size	
				chr		D.NEIDICH 10/12/81		67208 A3	
				appd		D.NEIDICH 10/21/81		type Product Customer Drawing	
sheet index		revision sheet							



PRODUCT NO	NO. OF POS.	DIM. A ±. 010/0. 25	DIM. B ±. 020/0. 51	LEAD FREE OPTION
67208-041	1X41	4. 000/101. 60	4. 140/105. 16	NOTE 5
-042	1X42	4. 100/104. 14	4. 240/107. 70	
-043	1X43	4. 200/106. 68	4. 340/110. 24	
-044	1X44	4. 300/109. 22	4. 440/112. 78	
-045	1X45	4. 400/111. 76	4. 540/115. 32	
-046	1X46	4. 500/114. 30	4. 640/117. 86	
-047	1X47	4. 600/116. 84	4. 740/120. 40	
-048	1X48	4. 700/119. 38	4. 840/122. 94	
-049	1X49	4. 800/121. 92	4. 940/125. 48	
-050	1X50	4. 900/124. 46	5. 040/128. 02	
-051	1X51	5. 000/127. 00	5. 140/130. 56	
67208-052	1X52	5. 100/129. 54	5. 240/133. 10	NOTE 5



Copyright FCI

mat'l. code		surface ISO 1302 <input checked="" type="checkbox"/>		tolerance ISO 406 ISO 1101		projection 		product family CARD CONN	
ltr	ecn	no	dr	date		tolerances unless otherwise specified		title	
M						angles	linear	INCH/MM	
						0'±2'	.XX±.01/.X±.3 .XXX±.0.005/.XX±.13 XXXX±.0020/.XXX±.051	scale 4:1	
			dr	B.ASHREFI	108/91			dwg no	
			enr	D.NEIDICH	10/21/81			sheet 4 of 4 size	
			chr	D.NEIDICH	10/12/81			67208 A3	
			appd	D.NEIDICH	10/21/81			type Product Customer Drawing	
sheet index	revision sheet								

