

PRODUCT NUMBER

SEE TABLE

68402-XXX-LF

- LEAD FREE OPTION
- PACKAGING OPTION NOTE 6. OMIT IF NOT REQUIRED
- NO OF POSITIONS PER ROW
- PLATING CODE
- BASE PART NUMBER

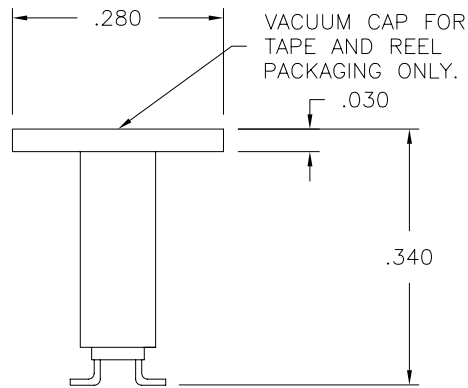
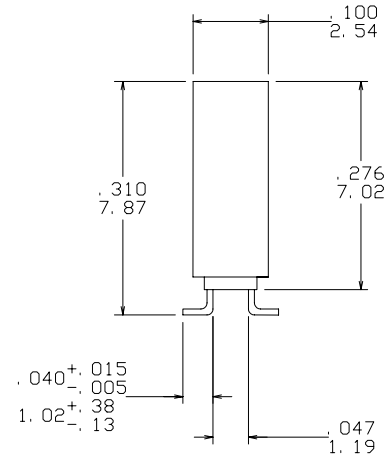
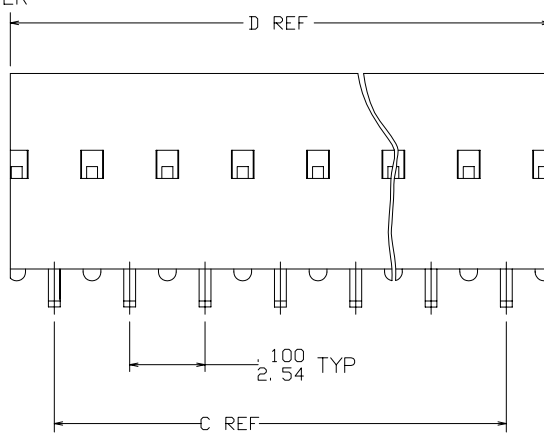


FIGURE 1

mat'l. code		surface <input checked="" type="checkbox"/> ISO 1302 <input checked="" type="checkbox"/> tolerance ISO 406 <input checked="" type="checkbox"/> ISO 1101		projection		product family DUBOX	
ltr		ecn nldr date		tolerances unless otherwise specified		title	
M	V10122	GIP	01/07/02	angles	.XX±.01/.3	DUBOX SURFACE MOUNT S/R	
N	V11677	GIP	01/22/02	linear	.XXX±.005/-.13	VERTICAL CARD CONNECTOR	
P	V20156	GIP	02/05/02	0°±2'	.XXXX±.0020/.051	scale 5:1	
R	V03-0309	HTB	04/28/03	dr	J. SHEREINER	11/07/90	
S	V05-0463	DPU	06/28/05	enrg	M. HAHN	11/07/90	
T	M07-0114	AGS	02/15/07	chr	M. HAHN	11/07/90	
U	M07-0198	MHT	4/24/07	appd	M. HAHN	11/07/90	
sheet		revision		U	U	U	
index		sheet		1	2	3	4



FCJconnect.com

Copyright FCJ

FIGURE A
TOP ENTRY
.025/.64 SQ PIN

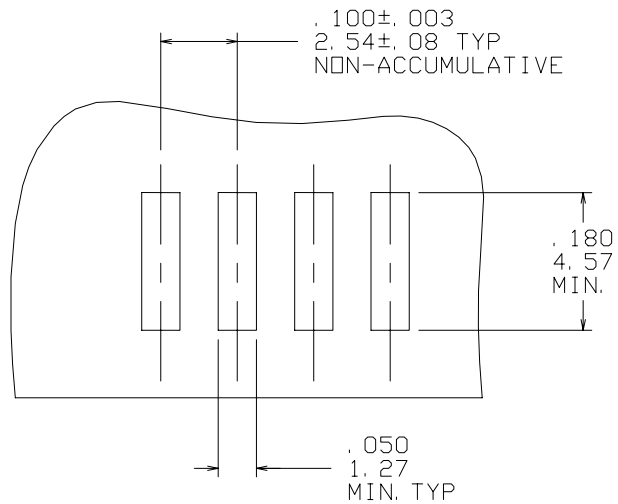
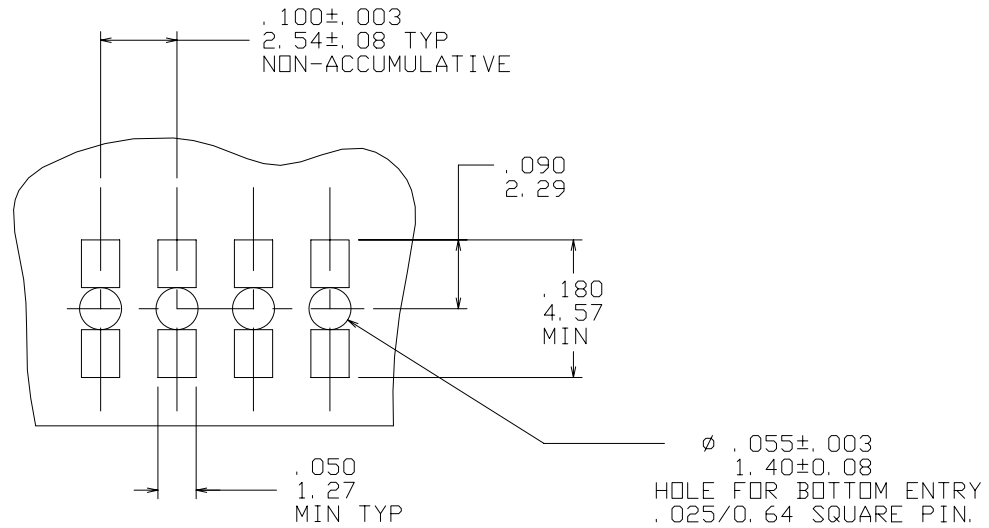


FIGURE B
BOTTOM ENTRY (THROUGH PWB)
.025/.64 SQ PIN



mat'l. code		surface ISO 1302 ✓		tolerance ISO 406 ISO 1101		projection ⊕		product family DUBOX	
ltr	ecn	no	dr	date		tolerances unless otherwise specified		title	
U						angles	.XX±.01/.3	DUBOX SURFACE MOUNT S/R	
						linear	.xxx±.005/.13	VERTICAL CARD CONNECTOR	
						0°±2'	.xxx±.0020/.051	scale 5:1	
				dr		J. SHEREINER	11/07/90	dwg no	
				enfr		M. HAHN	11/07/90	sheet 2 of 5 size	
				chr		M. HAHN	11/07/90	68402	
				appd		M. HAHN	11/07/90	A3	
sheet		revision						type Product Customer Drawing	
index	sheet								

form: A3

PRODUCT NO NOTE 14	PLATING CONTACT AREA NOTE 16	PLATING SOLDER TAIL	MATERIAL REF.	
68402-2XX	15u"/.38u Au MIN OVER 50u"/1.27u NI MIN OR GXT	100μ"/160μ" SN 2.54μ/4.06μ	NOTE 3 & 4	
68402-3XX	30u"/.76u Au MIN OVER 50u"/1.27u NI MIN OR GXT	100μ"/160μ" SN 2.54μ/4.06μ	NOTE 3 & 4	
68402-6XX	30u"/.76u Au MIN OVER 50u"/1.27u NI MIN OR GXT	100μ"/160μ" SN 2.54μ/4.06μ	NOTE 3 & 4	
68402-8XX	30u"/.76u Au MIN OVER 50u"/1.27u NI MIN	100μ"/160μ" SN 2.54μ/4.06μ	NOTE 3 & 4	OBSOLETE



FCIconnect.com

Copyright FCI

mat'l. code		surface	tolerance	projection	product family
ISO 1302		ISO 406	ISO 1101		DUBOX
ltr	ecn no	dr	date	title	
U				DUBOX SURFACE MOUNT S/R VERTICAL CARD CONNECTOR	
		angles	linear	INCH/MM	
		0°±2"	.XX±.01/.3 .XXX±.005/.13 .xxxx±.0020/.051	scale 5:1	
		dr	J. SHEREINER 11/07/90	dwg no sheet 3 of 5 size	
		enr	M. HAHN 11/07/90	68402 A3	
		chr	M. HAHN 11/07/90	type Product Customer Drawing	
		appd	M. HAHN 11/07/90		
sheet index	revision sheet				

PRODUCT NUMBER

SEE TABLE

NOTES:

- ①. TERMINAL MATERIAL: PHOSPHOR BRONZE.
EXTRA HARD
2. RECOMMENDED APPLICATION DATA:
 - A. RECOMMENDED SOLDER PAD PATTERN IS SHOWN IN FIGURE A & B.
 - B. ALL MATING PINS TO BE .025/.64 SQUARE ON TRUE CENTER OF GIVEN TERMINAL SPACING. WITHIN .015/.38 DIA.
 - C. SUGGESTED MATING PIN LENGTH .210±.010 [5.33±.51]
- ③. HOUSING MATERIAL: P.P.S., FILLED.
FLAME RETARDANT PER UL 94 V-0.
THIS PART WILL WITHSTAND EXPOSURES TO 260°C PEAK TEMPERATURE FOR 20 SECONDS IN WAVE SOLDER, INFRA-RED OR VAPOR PHASE SOLDER PROCESS.
- ④. PRESTAMPED POST PLATED TERMINAL.
5. FCI, FCI PART NUMBER AND DATE CODE TO BE MARKED ON TUBE LABEL.
- ⑥. ADD SUFFIX 'P' TO DASH NUMBER AS FOURTH DIGIT FOR TAPE AND REEL PACKAGING.
7. TAPE AND REEL PACKAGING PER GES-14-334.
- ⑧. VACUUM CAP MATERIAL: L.C.P., FLAME RETARDANT UL 94 V-0.
COLOR: BLACK
- ⑨. TAPE AND REEL PACKAGING FOR 24mm WIDE AND BELOW HAVE PILOT HOLES ON ONE SIDE OF TAPE ONLY. SIZES ABOVE 24mm HAVE PILOT HOLES ON BOTH SIDES OF TAPE.
- ⑩. TAPE & REEL PACKAGING 32mm TAPE WIDTH, WITH 12mm POCKET PITCH.
- ⑪. MAXIMUM LENGTH OF CONNECTOR FOR TAPE AND REEL PACKAGING IS 2.50 INCHES LONG /63.5mm
- ⑫. PART NUMBER WITH "U" SUFFIX IS FOR SAWING PURPOSES ONLY.
13. STANDARD TUBE PACKAGE PER BUS-14-097/3.
- ⑭. ADD LF SUFFIX AT THE END OF PART NUMBER FOR LEAD FREE OPTION.
15. THIS PRODUCT MEETS EUROPEAN UNION DIRECTIVES AND OTHER COUNTRY REGULATION AS DESCRIBED IN GS-22-008.
- ⑯. PLATING OPTIONS:
MAY BE EITHER GOLD OR GXT PLATED AT MANUFACTURER'S OPTION.

VACUUM PICK-UP CAP
CENTRALLY LOCATED

DUBOX VERTICAL RECEPTACLE
DOUBLE ROW

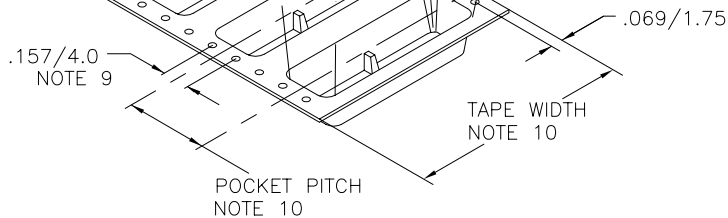


FIGURE 2
TAPE & REEL PACKAGING

mat'l. code		surface ISO 1302 ✓		tolerance ISO 406 ISO 1101		projection ⊕		product family DUBOX	
ltr		ecn no dr		date		tolerances unless otherwise specified		title	
U						.XX±.01/.3		DUBOX SURFACE MOUNT S/R	
				angles		linear .xxx±.005/.13		VERTICAL CARD CONNECTOR	
				0°±2'		.xxx±.0020/.051		scale 5:1	
				dr J. SHEREINER		11/07/90		dwg no	
				enfr M. HAHN		11/07/90		sheet 4 of 5 size	
				chr M. HAHN		11/07/90		68402	
				appd M. HAHN		11/07/90		A3	
sheet index		revision sheet						type Product Customer Drawing	

PRODUCT NO.	NO. OF POSITIONS	C DIM	D DIM	TAPE & REEL PACKAGING	LF OPTIONS
68402-Y02	1 X 2	.100/2.540	.217/5.511	NO	
-Y03	1 X 3	.200/5.080	.317/8.051	NO	
-Y04	1 X 4	.300/7.620	.417/10.591	NO	
-Y05	1 X 5	.400/10.160	.517/13.131	NO	
-Y06	1 X 6	.500/12.700	.617/15.671	NO	
-Y07	1 X 7	.600/15.240	.717/18.211	NO	
-Y08	1 X 8	.700/17.780	.817/20.751	NO	
-Y09	1 X 9	.800/20.320	.917/23.291	NO	
-Y10	1 X 10	.900/22.860	1.017/25.831	NO	
-Y11	1 X 11	1.000/25.400	1.117/28.371	NO	
-Y12	1 X 12	1.100/27.940	1.217/30.911	NO	
-Y13	1 X 13	1.200/30.480	1.317/33.451	NO	
-Y14	1 X 14	1.300/33.020	1.417/35.991	NO	
-Y15	1 X 15	1.400/35.560	1.517/38.531	NO	NOTE 14
-Y16	1 X 16	1.500/38.100	1.617/41.071	NO	
-Y17	1 X 17	1.600/40.640	1.717/43.611	NO	
-Y18	1 X 18	1.700/43.180	1.817/46.151	NO	
-Y19	1 X 19	1.800/45.720	1.917/48.691	NO	
-Y20	1 X 20	1.900/48.260	2.017/51.231	NO	
-Y21	1 X 21	2.000/50.800	2.117/53.771	NO	
-Y22	1 X 22	2.100/53.340	2.217/56.311	NO	
-Y23	1 X 23	2.200/55.880	2.317/58.851	NO	
-Y24	1 X 24	2.300/58.420	2.417/61.391	NO	
-Y25	1 X 25	2.400/60.960	2.517/63.931	NO	
68402-Y26	1 X 26	2.500/63.50	2.617/66.47	NO	
68402-Y26U	1 X 26	2.500/63.50	2.617/66.47	NO	
68402-Y06P	1 X 6	.500/12.700	.617/15.671	YES	
68402-Y27-Y50	---	---	---	NO	NOT AVAILABLE

NOTE 12
NOTE 6



FCIconnect.com

Copyright FCI

mat'l. code		surface ISO 1302 <input checked="" type="checkbox"/>	tolerance ISO 406 ISO 1101	projection 	product family DUBOX
ltr	ecn no	dr	date	tolerances unless otherwise specified	title
U				angles linear .XX±.01/.3 0'±2' .xxx±.005/.13 .xxx±.0020/.051	DUBOX SURFACE MOUNT S/R VERTICAL CARD CONNECTOR
				dr J. SHEREINER 11/07/90	scale 5:1
				enr M. HAHN 11/07/90	FCI
				chr M. HAHN 11/07/90	dwg no 68402 sheet 5 of 5 size A3
				appd M. HAHN 11/07/90	type Product Customer Drawing
sheet index	revision sheet				

form: A3