

1

2

3

4

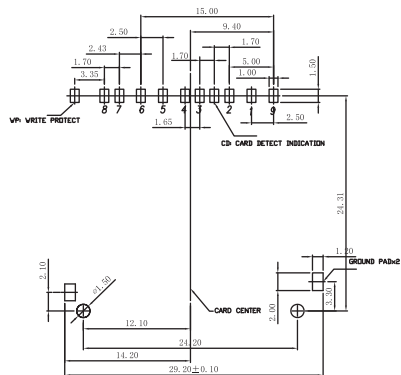
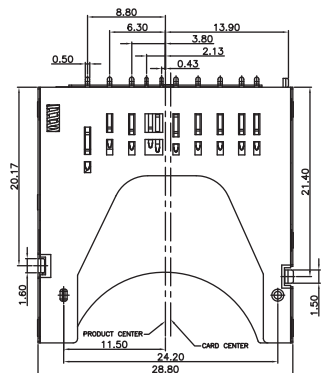
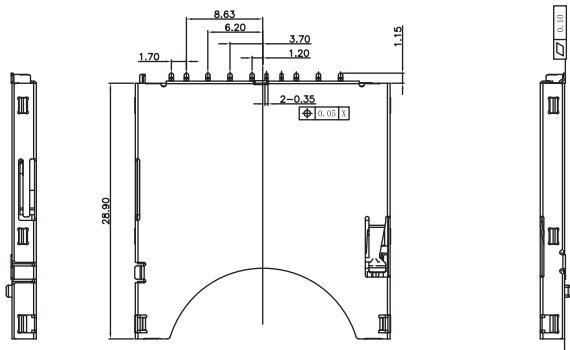
5

A

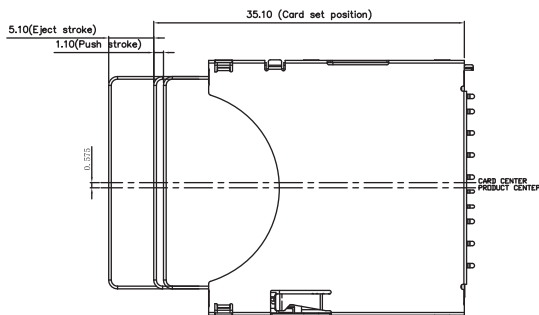
B

C

D



RECOMMENDED PCB LAYOUT
(ALL TOLERANCE ARE ±0.05)



TECHNICAL CHARACTERISTICS

MATERIAL
INSULATOR: LCP
FLAMABILITY RATING: UL94-V0
COLOR: BLACK
CONTACT MATERIAL: COPPER ALLOY
CONTACT TYPE: STAMPED
CONTACT PLATING: SELECTIVE GOLD
SHIELDING: STAINLESS STEEL
QUALITY CLASS: 10000 MATING CYCLES

ENVIRONMENTAL
OPERATING TEMPERATURE: -25 UP TO 85°C
COMPLIANCE: LEAD FREE AND ROHS

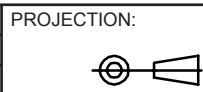
ELECTRICAL
CURRENT RATING: 0.5A
WORKING VOLTAGE: 100VAC
INSULATOR RESISTANCE: >1000 MOHM
DIELECTRIC WITHSTANDING VOLTAGE: 500VAC/MN
CONTACT RESISTANCE: 100 MOHM MAX

SOLDERING
REFLOW PROCESS ONLY

PACKAGING
TAPE & REEL

PIN No	Name	DESCRIPTION
1	CD/DAT3	Connector data line 3
2	CMD	COMMAND/ANSWER
3	Vss1	GND
4	Vdd	POWER SUPPLY
5	CLK	GLOCK
6	Vss2	GND
7	DAT0	Connector data line 0
8	DAT1	Connector data line 1
9	DAT2	Connector data line 2

RoHS Compliant			
G	22-APR-13	TABLE ADD	QL
F	22-JAN-13	LAYOUT DIM MOD	QL
E	19-NOV-12	LAYOUT DIM ADD	QL
D	07-MAR-12	PAGE 2 SWITCH	GG
C	22-FEB-12	PAGE 2	GG
B	16-FEB-12	TKP	GG
A	11-AUG-31	PDF	GG
REV	DATE	FILE	BY



APPROVAL: RJ

GENERAL TOLERANCE
.X = +/- 0.2
.XX = +/- 0.15



UNIT: MM
SCALE:
SHEET: 1/3
DRAW: VICKY

DESCRIPTION: SD Card Connector - Push & Push - With Card Detection
9 pins
WERI PART NO: 693 061 010 911

SIZE
A4

1

2

3

4

5

A

B

C

D

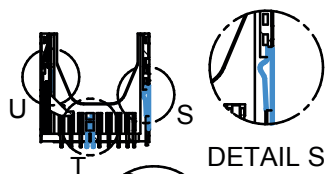
Contact OFF

Contact ON / Lock OFF

Contact ON / LOCK ON



DETAIL U



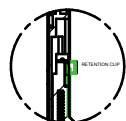
U

T

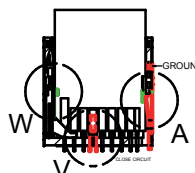
DETAIL S



DETAIL T



DETAIL W

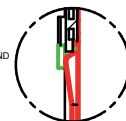


W

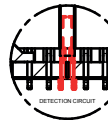
V

GROUND

A



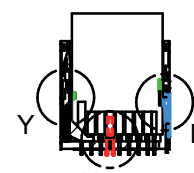
DETAIL A



DETAIL V



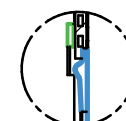
DETAIL Y



Y

X

B



DETAIL B

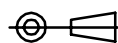


DETAIL X

Card detection switch		Write protection switch		
Card removed	Card inserted	Card removed	Card inserted	
			Write Protect	Write enable
OPEN	CLOSE	OPEN	OPEN	CLOSE

RoHS Compliant

PROJECTION:



GENERAL TOLERANCE

.X = +/- 0.2

.XX = +/- 0.15



APPROVAL: RJ

UNIT: MM

SCALE:

SHEET: 2/3

DRAW: VICKY

DESCRIPTION: SD Card Connector - Push & Push - With Card Detection
9 pins

WERI PART NO: 693 061 010 911

SIZE

A4

REV	DATE	FILE	BY
-----	------	------	----

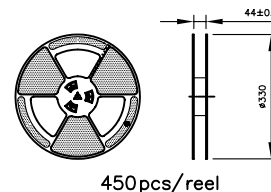
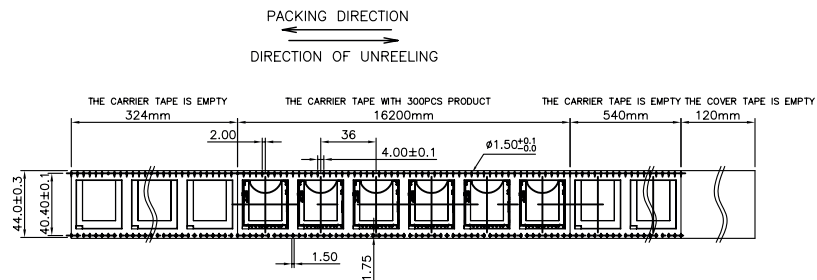
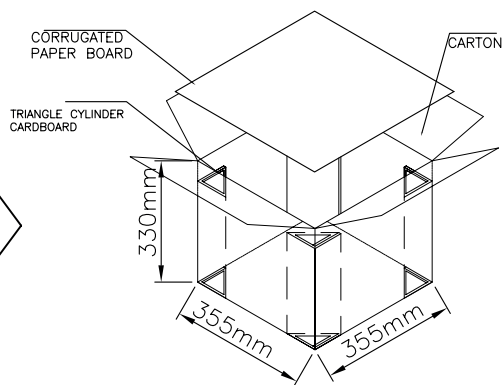
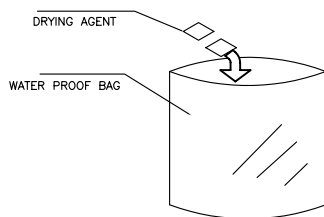
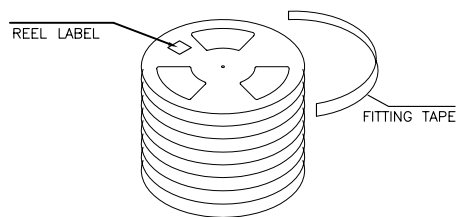
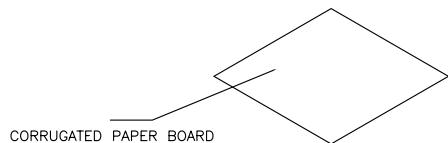
1

2

3

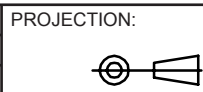
4

5



NOTES
1. MATERIALS: PS
2. PACKING: TAPE REEL(450PCS/REEL,3150PCS/CARTON)
3. SONY SS-00259 or RoHS
All Material in According With The RoHS Environment Related Substances List Controlled.

RoHS Compliant			
REV	DATE	FILE	BY



GENERAL TOLERANCE
.X = ± 0.2
.XX = ± 0.15



APPROVAL: RJ

UNIT: MM
SCALE:
SHEET: 3/3
DRAW: VICKY

DESCRIPTION: SD Card Connector - Push & Push - With Card Detection
9 pins
WERI PART NO: 693 061 010 911

SIZE
A4