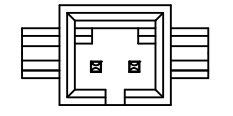
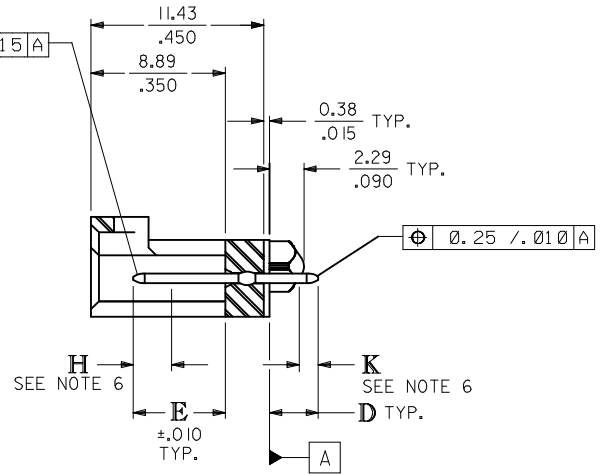
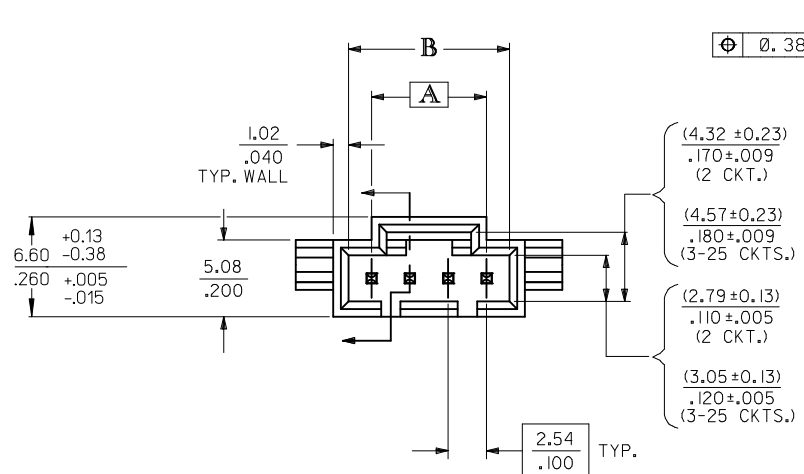
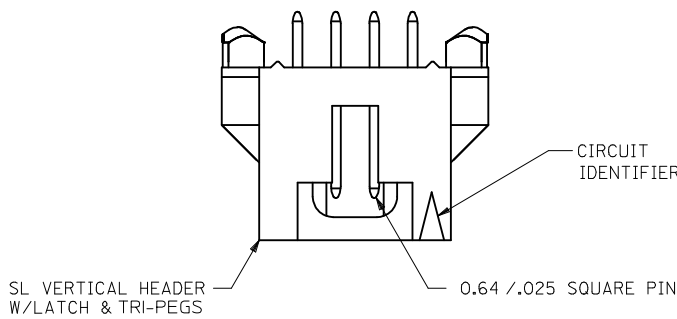
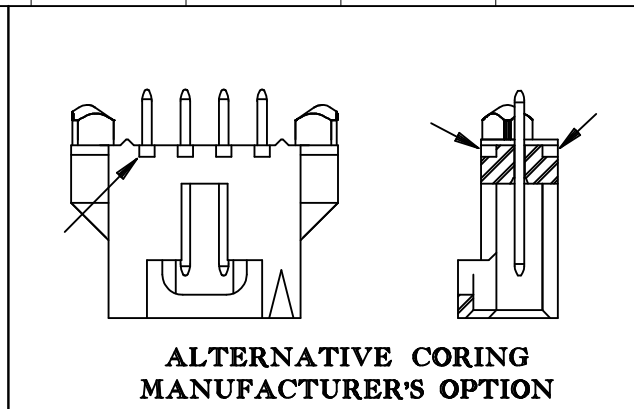
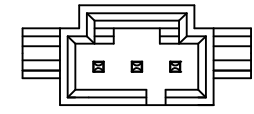


CKT. SIZE	DIM. "A"		DIM. "B"	
	MM	IN.	MM	IN.
2	2.54	.100	5.33±0.08	.210±.003
3	5.08	.200	8.13±0.10	.320±.004
4	7.62	.300	10.67±0.10	.420±.004
5	10.16	.400	13.21±0.10	.520±.004
6	12.70	.500	15.75±0.10	.620±.004
7	15.24	.600	18.29±0.10	.720±.004
8	17.78	.700	20.83±0.10	.820±.004
9	20.32	.800	23.37±0.10	.920±.004
10	22.86	.900	25.91±0.13	1.020±.005
11	25.40	1.000	28.45±0.13	1.120±.005
12	27.94	1.100	30.99±0.13	1.220±.005
13	30.48	1.200	33.53±0.13	1.320±.005
14	33.02	1.300	36.07±0.13	1.420±.005
15	35.56	1.400	38.61±0.15	1.520±.006
16	38.10	1.500	41.15±0.15	1.620±.006
17	40.64	1.600	43.69±0.15	1.720±.006
18	43.18	1.700	46.23±0.15	1.820±.006
19	45.72	1.800	48.77±0.18	1.920±.007
20	48.26	1.900	51.31±0.18	2.020±.007
21	50.80	2.000	53.85±0.18	2.120±.007
22	53.34	2.100	56.39±0.18	2.220±.007
23	55.88	2.200	58.93±0.18	2.320±.007
24	58.42	2.300	61.47±0.18	2.420±.007
25	60.96	2.400	64.01±0.20	2.520±.008

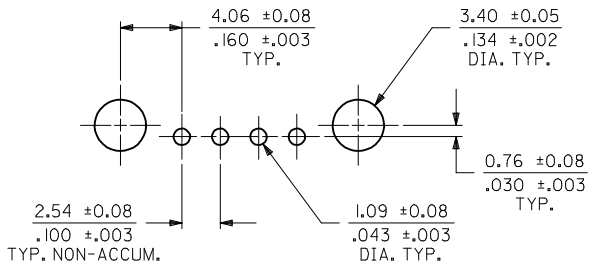


**2 CIRCUIT**



**3 CIRCUIT**

- NOTES:
- HEADER MATERIAL: GLASS FILLED POLYESTER; UL94V-0; COLOR: BLACK  
PIN MATERIAL: PHOSPHOR BRONZE
  - FINISH:  
TIN - 0.00381/.000150 MIN TIN PLATE  
OVER 0.00127/.000050 MIN NICKEL PLATE  
15 GOLD - 0.00038/.000015 MIN GOLD PLATE IN SELECT AREA,  
0.00191/.000075 MIN TIN PLATE IN SELECT AREA,  
OVER 0.00127/.000050 MIN NICKEL PLATE OVERALL.  
30 GOLD - 0.00076/.000030 MIN GOLD PLATE IN SELECT AREA,  
0.00191/.000075 MIN TIN PLATE IN SELECT AREA,  
OVER 0.00127/.000050 MIN NICKEL PLATE OVERALL.  
\* THE PRIMARY SHIPPING CARTON WILL BE LABELED "COMPLIANT TO RoHS DIRECTIVE 2002/95/EC AND ELV ANNEX II OF DIRECTIVE 2000/53/EC." CARTONS WITHOUT THIS LABEL MAY CONTAIN PRODUCT WITH LEAD.
  - PRODUCT SPECIFICATION: PS-70541
  - PACKAGING SPECIFICATION: PK-70873-0014
  - HEADER TO BE USED WITH OPTION "G" 70400 AND 70430 SERIES SL CONNECTORS.
  - MEASURE POINT FOR PLATING THICKNESS.



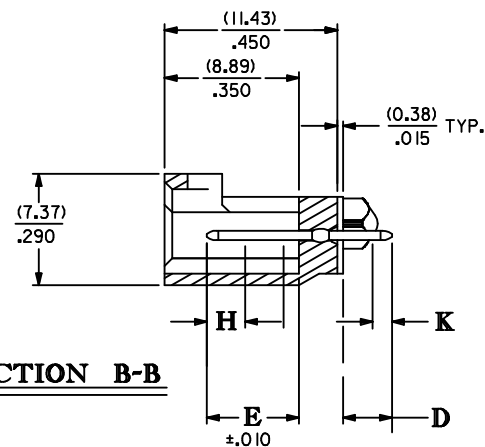
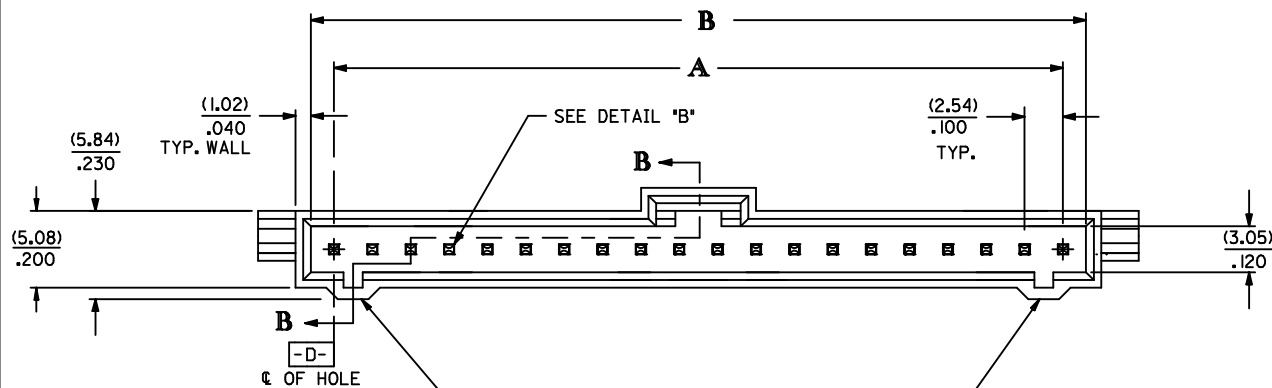
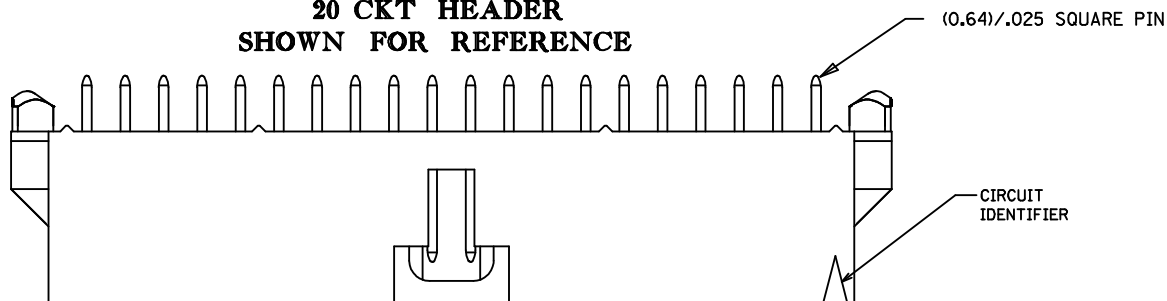
**RECOMMENDED PC BOARD LAYOUT**

ADD DIM'S LOC. F-9 EC NO: UCP2013-5374 DRWINWHIPPLE 2013/06/13 CHKD:DMORGAN 2013/06/13 APPR:SMILLER 2013/07/22	DESCRIPTION	FOR USE WITH GENERAL OR TRONIC BOARD (UNLESS SPECIFIED)	DIMENSION STYLE	SCALE	DESIGN UNITS	THIRD ANGLE PROJECTION
		mm INCH	MM/IN	INCH	INCH	
REV	DESCRIPTION	4 PLACES ± --- ± ---	DRAWN BY	DATE	TITLE	SALES ASSY, SL VERTICAL HEADER W/LATCH&TRI-PEGS (2.54)/.100 CENTERS
		3 PLACES ± --- ± .005	AAB	05/12/93	molex	
		2 PLACES ± 0.13 ± .01	CHECKED BY	DATE		SDA-70545-****
		1 PLACE ± 0.25 ± ---	MJM	05/12/93	SHEET NO. 1 OF 4	
		0 PLACE ± --- ± ---	APPROVED BY	DATE		THIS DRAWING CONTAINS INFORMATION THAT IS PROPRIETARY TO MOLEX INCORPORATED AND SHOULD NOT BE USED WITHOUT WRITTEN PERMISSION
		ANGULAR ±1/2°	SMILLER	2013/07/22		
		DRAFT WHERE APPLICABLE MUST REMAIN WITHIN DIMENSIONS	MATERIAL NO.	DOCUMENT NO.		
			SEE TABLE			

# OPTIONAL HOUSING

## WEBBED KEYING FEATURES

20 CKT HEADER  
SHOWN FOR REFERENCE



WEBBED KEYING FEATURES

**SECTION B-B**

SEE SHEET 1 EC NO: UCP2013-5374 DRWN:RWHIPPLE 2013/06/13 CHKD:DMORGAN 2013/06/13 APPR:SMILLER 2013/07/22	QUALITY SYMBOLS ∇=0 ∇=0 ∇=0	GENERAL TOLERANCES (UNLESS SPECIFIED)		DIMENSION STYLE MM/IN	SCALE INCH	DESIGN UNITS INCH	THIRD ANGLE PROJECTION	
		4 PLACES ± --- ± ---	3 PLACES ± --- ± .005	DRAWN BY AAB	DATE 05/12/93	TITLE SALES ASSY, SL VERTICAL HEADER W/LATCH&TRI-PEGS (2.54) / .100 CENTERS		
		2 PLACES ± 0.13 ± .01	1 PLACE ± 0.25 ± ---	CHECKED BY MJM	DATE 05/12/93	DOCUMENT NO. SDA-70545-****		
		0 PLACE ± --- ± ---	APPROVED BY SMILLER	DATE 2013/07/22	SHEET NO. 2 OF 4			
REV K	DESCRIPTION	ANGULAR ±1/2°		MATERIAL NO.	THIS DRAWING CONTAINS INFORMATION THAT IS PROPRIETARY TO MOLEX INCORPORATED AND SHOULD NOT BE USED WITHOUT WRITTEN PERMISSION			
DRAFT WHERE APPLICABLE MUST REMAIN WITHIN DIMENSIONS		SEE TABLE		SIZE C				

CIRCUIT SIZE	ASSEMBLY ITEM NUMBER 70545	MANUFACTURE RELEASE STATUS	D (± 0.38) ± .015	E (± 0.25) ± .010	CONNECTOR END PLATING		P.C. BOARD END PLATING	
					TYPE	H MEAS.	TYPE	K MEAS.
2-10	-0001-0009	R.F.M.	(3.30)	(6.10)	TIN	(2.54) .100	TIN	(1.27) .050
11-25	-0010-0024	R.F.M.	.130	.240				
2-10	-0036-0044	R.F.M.	(3.30)	(6.10)	15 GOLD	(2.54) .100	TIN	(1.27) .050
11-25	-0045-0059	R.F.M.	.130	.240				
2-10	-0071-0079	R.F.M.	(3.30)	(6.10)	30 GOLD	(2.54) .100	TIN	(1.27) .050
11-25	-0080-0094	R.F.M.	.130	.240				
2-10	-0141-0149	R.F.M.	(5.21)	(6.10)	15 GOLD	(2.54) .100	TIN	(1.27) .050
11-25	-0150-0164	NOT TOOLED	.205	.240				
2-10	-0176-0184	R.F.M.	(5.21)	(6.10)	30 GOLD	(2.54) .100	TIN	(1.27) .050
11-25	-0185-0199	NOT TOOLED	.205	.240				

CIRCUIT SIZE	ASSEMBLY ITEM NUMBER	ASSEMBLY ITEM NUMBER	ASSEMBLY ITEM NUMBER	ASSEMBLY ITEM NUMBER	ASSEMBLY ITEM NUMBER
2	70545-0001	70545-0036	70545-0071	70545-0141	70545-0176
3	70545-0002	70545-0037	70545-0072	70545-0142	70545-0177
4	70545-0003	70545-0038	70545-0073	70545-0143	70545-0178
5	70545-0004	70545-0039	70545-0074	70545-0144	70545-0179
6	70545-0005	70545-0040	70545-0075	70545-0145	70545-0180
7	70545-0006	70545-0041	70545-0076	70545-0146	70545-0181
8	70545-0007	70545-0042	70545-0077	70545-0147	70545-0182
9	70545-0008	70545-0043	70545-0078	70545-0148	70545-0183
10	70545-0009	70545-0044	70545-0079	70545-0149	70545-0184
11	70545-0010	70545-0045	70545-0080		
12	70545-0011	70545-0046	70545-0081		
13	70545-0012	70545-0047	70545-0082		
14	70545-0013	70545-0048	70545-0083		
15	70545-0014	70545-0049	70545-0084		
16	70545-0015	70545-0050	70545-0085		
17	70545-0016	70545-0051	70545-0086		
18	70545-0017	70545-0052	70545-0087		
19	70545-0018	70545-0053	70545-0088		
20	70545-0019	70545-0054	70545-0089		
21	70545-0020	70545-0055	70545-0090		
22	70545-0021	70545-0056	70545-0091		
23	70545-0022	70545-0057	70545-0092		
24	70545-0023	70545-0058	70545-0093		
25	70545-0024	70545-0059	70545-0094		

<b>SEE SHEET 1</b> EC NO: UCP2013-5374 DR: W/WHIPPLE 2013/06/13 CHKD: MORGAN 2013/06/13 APPR: MILLER 2013/07/22	QUALITY SYMBOLS 	GENERAL TOLERANCES (UNLESS SPECIFIED)		DIMENSION STYLE <b>MM/IN</b>		SCALE	DESIGN UNITS <b>INCH</b>	THIRD ANGLE PROJECTION
		4 PLACES ± --- ± --- 3 PLACES ± --- ± .005 2 PLACES ± 0.13 ± .01 1 PLACE ± 0.25 ± --- 0 PLACE ± --- ± ---	mm INCH ± --- ± --- ± .005 ± .01 ± --- ± --- ± --- ± ---	DRAWN BY AAB	DATE 05/12/93	TITLE <b>SALES ASSY, SL VERTICAL          HEADER W/LATCH&amp;TRI-PEGS          (2.54)/.100 CENTERS</b>	CHECKED BY MJM	DATE 05/12/93
MATERIAL NO.		ANGULAR ±1/2°		<b>SEE TABLE</b>		DOCUMENT NO.		SHEET NO. <b>3 OF 4</b>
DRAFT WHERE APPLICABLE MUST REMAIN WITHIN DIMENSIONS								
THIS DRAWING CONTAINS INFORMATION THAT IS PROPRIETARY TO MOLEX INCORPORATED AND SHOULD NOT BE USED WITHOUT WRITTEN PERMISSION								

CIRCUIT SIZE	ASSEMBLY ITEM NUMBER 70545	MANUFACTURE RELEASE STATUS	D REF.	E ± .010	CONNECTOR END PLATING			P.C. BOARD END PLATING		
					TYPE	H MEAS.		TYPE	K MEAS.	
2-19	-3001-3018	NOT TOOLED	(3.30)	(6.10)	30 GOLD	(2.54)	.100	TIN	(1.27)	.050
20-25	-3019-3024	R.F.M.	.130	.240						
2-19	-3051-3068	NOT TOOLED	(3.30)	(6.10)	15 GOLD	(2.54)	.100	TIN	(1.27)	.050
20-25	-3069-3074	R.F.M.	.130	.240						
2-19	-3101-3118	NOT TOOLED	(3.30)	(6.10)	TIN	(2.54)	.100	TIN	(1.27)	.050
20-25	-3119-3124	R.F.M.	.130	.240						

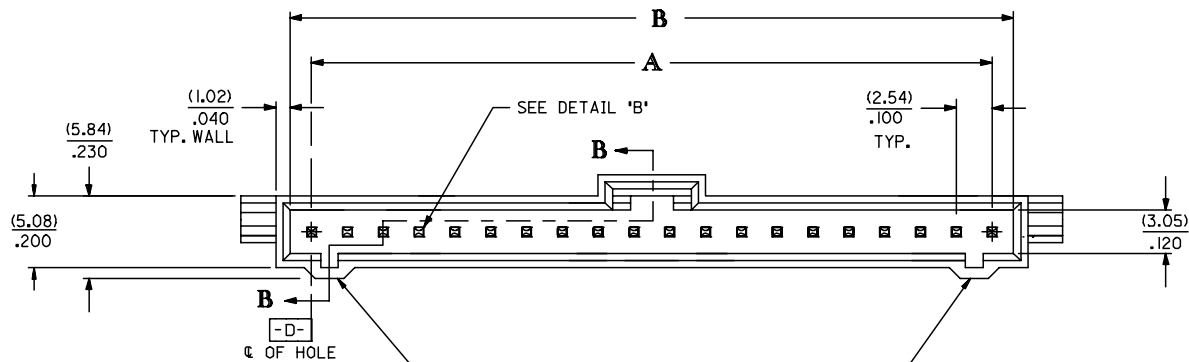
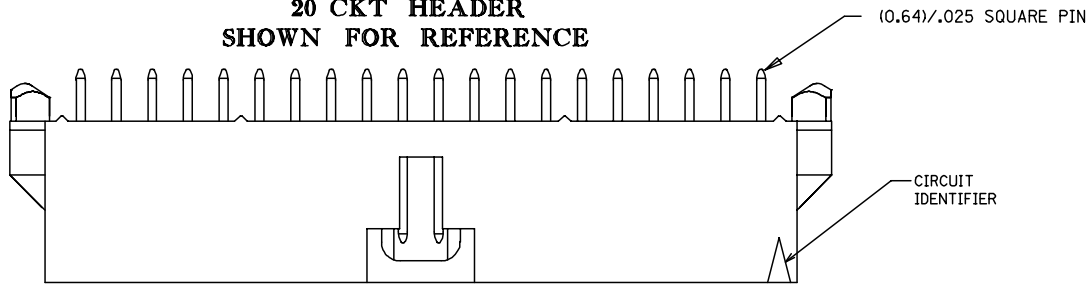
CIRCUIT SIZE	WEBBED ASSEMBLY ITEM NUMBER	WEBBED ASSEMBLY ITEM NUMBER	WEBBED ASSEMBLY ITEM NUMBER
2			
3			
4			
5			
6			
7			
8			
9			
10			
11			
12			
13			
14			
15			
16			
17			
18			
19			
20	70545-3019	70545-3069	70545-3119
21	70545-3020	70545-3070	70545-3120
22	70545-3021	70545-3071	70545-3121
23	70545-3022	70545-3072	70545-3122
24	70545-3023	70545-3073	70545-3123
25	70545-3024	70545-3074	70545-3124

<b>SEE SHEET 1</b> EC NO: UCP2013-5374 DRW:RWHIPPLE 2013/06/13 CHK:DMORGAN 2013/06/13 APPR:SMILLER 2013/07/22	QUALITY SYMBOLS 	GENERAL TOLERANCES (UNLESS SPECIFIED)		DIMENSION STYLE <b>MM/IN</b>		SCALE	DESIGN UNITS <b>INCH</b>	THIRD ANGLE PROJECTION
			mm	INCH	DRAWN BY AAB	DATE 05/12/93	TITLE <b>SALES ASSY, SL VERTICAL HEADER W/LATCH&amp;TRI-PEGS (2.54)/.100 CENTERS</b>	
		4 PLACES ± --- ± ---			CHECKED BY MJM	DATE 05/12/93		
		3 PLACES ± --- ± .005			APPROVED BY SMILLER	DATE 2013/07/22		
2 PLACES ± 0.13 ± .01			MATERIAL NO.		DOCUMENT NO.	SHEET NO.		
1 PLACE ± 0.25 ± ---			<b>SEE TABLE</b> SDA-70545-****		4 OF 4			
0 PLACE ± --- ± ---			DRAFT WHERE APPLICABLE MUST REMAIN WITHIN DIMENSIONS		THIS DRAWING CONTAINS INFORMATION THAT IS PROPRIETARY TO MOLEX. INCORPORATED AND SHOULD NOT BE USED WITHOUT WRITTEN PERMISSION			

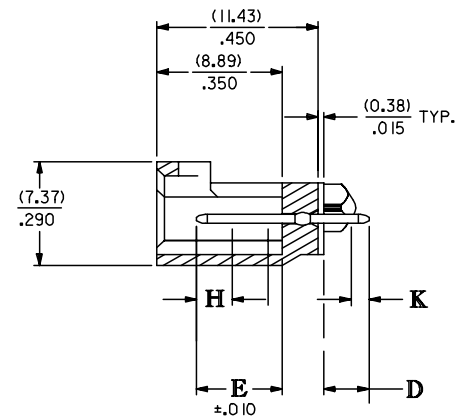
# OPTIONAL HOUSING

## WEBBED KEYING FEATURES

20 CKT HEADER  
SHOWN FOR REFERENCE



WEBBED KEYING FEATURES



### SECTION B-B

UPDATE TITLE BLOCK EC NO: UCP2006-0202 DRAWN: JLOWE 2005/08/05 CHKD: ADERR 2005/08/05 APPR: FSMITH 2005/08/09 REVISIONS 1 DESCRIPTION	QUALITY SYMBOLS	GENERAL TOLERANCES (UNLESS SPECIFIED)	DIMENSION STYLE	SCALE	DESIGN UNITS	THIRD ANGLE PROJECTION
	$\nabla=0$ $\nabla=0$	(mm) (INCH) 4 PLACES ± --- ± --- 3 PLACES ± --- ± .005 2 PLACES ± 0.13 ± .01 1 PLACE ± 0.25 ± --- ANGULAR ± 1/2°	MM/IN	---	INCH	DRAWN BY DATE WGM 07/10/96 CHECKED BY DATE WGM 07/10/96 APPROVED BY DATE WAZ 07/10/96
		DRAFT WHERE APPLICABLE MUST REMAIN WITHIN DIMENSIONS	SEE CHART	MATERIAL NO.	DOCUMENT NO.	SHEET NO.
				SDA-70545-****	2 OF 4	

SALES ASSY, SL VERTICAL  
HEADER W/LATCH&TRI-PEGS  
(2.54)/.100 CENTERS

**molex** MOLEX INCORPORATED

THIS DRAWING CONTAINS INFORMATION THAT IS PROPRIETARY TO MOLEX INCORPORATED AND SHOULD NOT BE USED WITHOUT WRITTEN PERMISSION

J	CIRCUIT SIZE	ASSEMBLY ITEM NUMBER 70545	MANUFACTURE RELEASE STATUS				D (± 0.38) ± .015	E (± 0.25) ± .010	CONNECTOR END PLATING			P.C. BOARD END PLATING			J
									TYPE	H MEAS.		TYPE	K MEAS.		
I	2-10	-0001-0009	R.F.M.				(3.30)	(6.10)	TIN	(2.54)	.100	TIN	(1.27)	.050	I
	11-25	-0010-0024	R.F.M.				.130	.240							
H	2-10	-0036-0044	R.F.M.				(3.30)	(6.10)	15 GOLD	(2.54)	.100	TIN	(1.27)	.050	H
	11-25	-0045-0059	R.F.M.				.130	.240							
G	2-10	-0071-0079	R.F.M.				(3.30)	(6.10)	30 GOLD	(2.54)	.100	TIN	(1.27)	.050	G
	11-25	-0080-0094	R.F.M.				.130	.240							
F	2-10	-0141-0149	R.F.M.				(5.21)	(6.10)	15 GOLD	(2.54)	.100	TIN	(1.27)	.050	F
	11-25	-0150-0164	NOT TOOLED				.205	.240							
E	2-10	-0176-0184	R.F.M.				(5.21)	(6.10)	30 GOLD	(2.54)	.100	TIN	(1.27)	.050	E
	11-25	-0185-0199	NOT TOOLED				.205	.240							

F	CIRCUIT SIZE	ASSEMBLY ITEM NUMBER	ASSEMBLY ITEM NUMBER	ASSEMBLY ITEM NUMBER	ASSEMBLY ITEM NUMBER	ASSEMBLY ITEM NUMBER
	2	70545-0001	70545-0036	70545-0071	70545-0141	70545-0176
	3	70545-0002	70545-0037	70545-0072	70545-0142	70545-0177
	4	70545-0003	70545-0038	70545-0073	70545-0143	70545-0178
	5	70545-0004	70545-0039	70545-0074	70545-0144	70545-0179
	6	70545-0005	70545-0040	70545-0075	70545-0145	70545-0180
	7	70545-0006	70545-0041	70545-0076	70545-0146	70545-0181
	8	70545-0007	70545-0042	70545-0077	70545-0147	70545-0182
	9	70545-0008	70545-0043	70545-0078	70545-0148	70545-0183
	10	70545-0009	70545-0044	70545-0079	70545-0149	70545-0184
	11	70545-0010	70545-0045	70545-0080		
	12	70545-0011	70545-0046	70545-0081		
	13	70545-0012	70545-0047	70545-0082		
	14	70545-0013	70545-0048	70545-0083		
	15	70545-0014	70545-0049	70545-0084		
	16	70545-0015	70545-0050	70545-0085		
	17	70545-0016	70545-0051	70545-0086		
	18	70545-0017	70545-0052	70545-0087		
	19	70545-0018	70545-0053	70545-0088		
	20	70545-0019	70545-0054	70545-0089		
	21	70545-0020	70545-0055	70545-0090		
	22	70545-0021	70545-0056	70545-0091		
	23	70545-0022	70545-0057	70545-0092		
	24	70545-0023	70545-0058	70545-0093		
	25	70545-0024	70545-0059	70545-0094		

B	A	CHG D DIM -0141-0199 EC NO: UCP2007-0420 DRAWN: JORGAN 2006/09/15 CHKD: MS BARA 2006/09/15 APPR: SMILLER 2006/09/19 REV:	QUALITY SYMBOLS   DESCRIPTION	GENERAL TOLERANCES (UNLESS SPECIFIED) <table border="1"> <tr><th></th><th>mm</th><th>INCH</th></tr> <tr><td>4 PLACES</td><td>± .005</td><td>± .0005</td></tr> <tr><td>3 PLACES</td><td>± .005</td><td>± .0005</td></tr> <tr><td>2 PLACES</td><td>± 0.13</td><td>± .01</td></tr> <tr><td>1 PLACE</td><td>± 0.25</td><td>± .01</td></tr> </table>		mm	INCH	4 PLACES	± .005	± .0005	3 PLACES	± .005	± .0005	2 PLACES	± 0.13	± .01	1 PLACE	± 0.25	± .01	DIMENSION STYLE MM/IN	SCALE ---	DESIGN UNITS INCH	THIRD ANGLE PROJECTION	DRAWN BY WGM	DATE 07/12/96	TITLE SALES ASSY, SL VERTICAL HEADER W/LATCH&TRI-PEGS (2.54)/.100 CENTERS	CHECKED BY WGM	DATE 07/12/96	APPROVED BY DJB	DATE 07/12/96	MATERIAL NO. SEE CHART	DOCUMENT NO. SDA-70545-****	SHEET NO. 3 OF 4
					mm	INCH																											
4 PLACES	± .005	± .0005																															
3 PLACES	± .005	± .0005																															
2 PLACES	± 0.13	± .01																															
1 PLACE	± 0.25	± .01																															
DRAFT WHERE APPLICABLE MUST REMAIN WITHIN DIMENSIONS				THIS DRAWING CONTAINS INFORMATION THAT IS PROPRIETARY TO MOLEX INCORPORATED AND SHOULD NOT BE USED WITHOUT WRITTEN PERMISSION																													