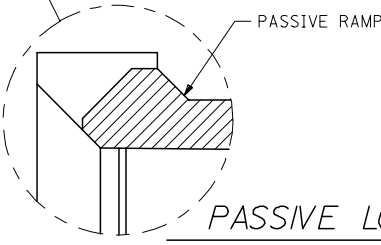
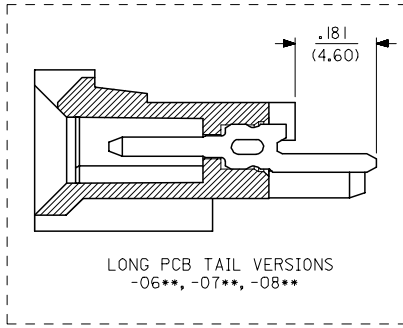
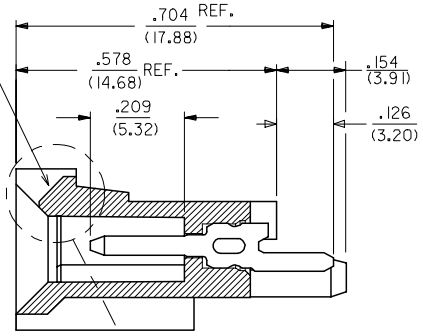
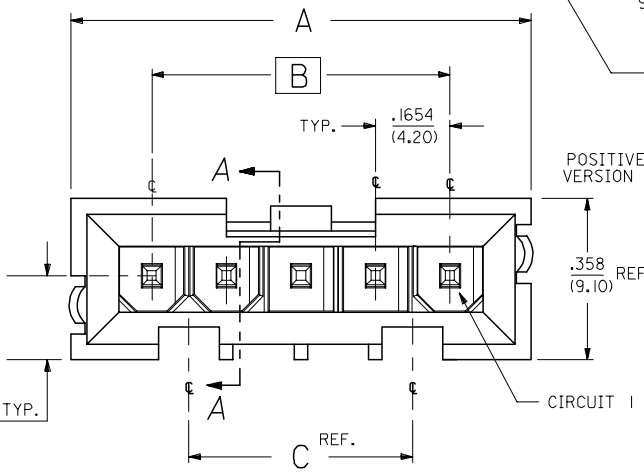
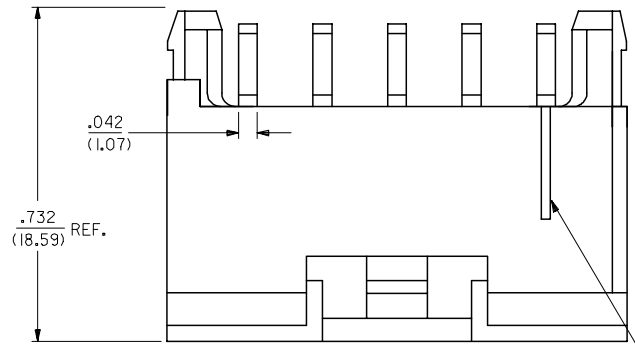
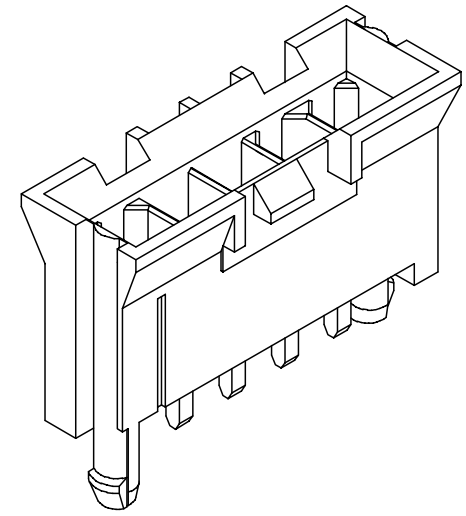


NOTES:

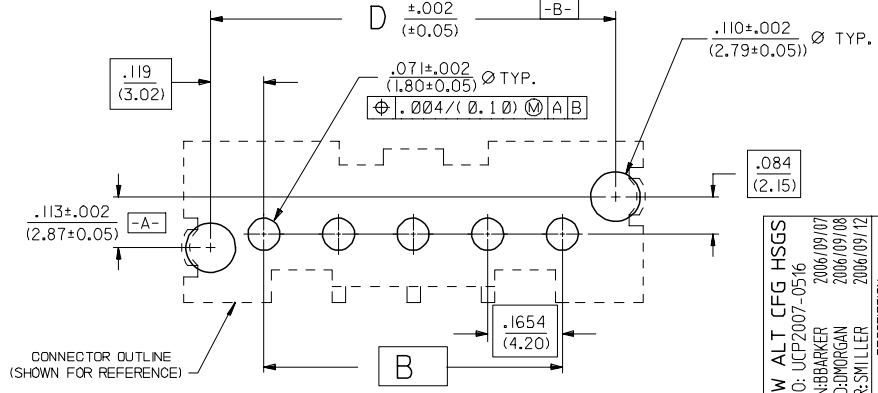
1. ASSEMBLY NO. 71233-0007 SHOWN FOR ILLUSTRATION.
2. MATES WITH PART NO. 71694-****, AND 5557-**.
3. SEE FOLLOWING PAGES FOR PART NOS. & CONFIGURATIONS.
4. FINISHES (SEE CHART):
 TIN OVERALL - .000150/(0.0038) MINIMUM TIN OVERALL, NICKEL UNDERPLATE OVERALL.
 30 GOLD - .000030/(0.00076) MINIMUM SELECT GOLD AND .000100/(0.00254) MINIMUM SELECT TIN OVER NICKEL UNDERPLATE OVERALL.
 15 GOLD - .000015/(0.00038) MINIMUM SELECT GOLD AND .000150/(0.00381) MINIMUM SELECT TIN OVER NICKEL UNDERPLATE OVERALL.
5. ITEM NO'S PRECEDED BY AN *X* IN THE CHARTS ARE NOT AVAILABLE.
6. HOUSING MATERIAL: HIGH TEMP. 94V-0 GLASS FILLED POLYESTER MATERIAL COLOR: WHITE
7. PIN MATERIAL: BRASS.
8. PART CONFORMS TO SPECIFICATION NO. PS-71690-001.
9. PACKAGING SPECIFICATIONS:
 FOR TRAY, SEE PK-71232-0000
 FOR TUBE, SEE PK-71233-0000



NOTE FOR LEAD FREE CONVERSION:
 THE PRIMARY SHIPPING CARTON WILL BE LABELED *COMPLIANT TO ROHS DIRECTIVE 2002/95/EC AND ELV ANNEX II OF DIRECTIVE 2000/53/EC*. CARTONS WITHOUT THIS LABEL MAY CONTAIN PRODUCT WITH LEAD.

VERTICAL TAIL HOLE PATTERN

CONNECTOR SIDE SHOWN



| | | | | | | |
|--|-----------------|---------------------------------------|-----------------|-------|--------------|------------------------|
| SHOW ALT CFG HSGS EC NO: UCP2007-0516 DRAWN: BARKER 2006/09/07 CHKD: BORGAN 2006/09/08 APPR: MILLER 2006/09/12 | QUALITY SYMBOLS | GENERAL TOLERANCES (UNLESS SPECIFIED) | DIMENSION STYLE | SCALE | DESIGN UNITS | THIRD ANGLE PROJECTION |
| | ▽=0 | mm INCH | IN/MM | 5:1 | INCH | |
| | ▽=0 | 4 PLACES ± --- ± --- | DRAWN BY DATE | | | |
| | | 3 PLACES ± --- ± .010 | RWB 7/19/93 | | | |

| | | | |
|------------------------|------------------|--|--|
| 2 PLACES ± 0.38 ± .015 | CHECKED BY DATE | | |
| 1 PLACE ± 0.25 ± --- | PAR 7/19/93 | | |
| ANGULAR ±1/2° | APPROVED BY DATE | | |
| | FAH 7/19/93 | | |

| | | |
|--------------|--------------|-----------|
| MATERIAL NO. | DOCUMENT NO. | SHEET NO. |
| | | 1 OF 4 |

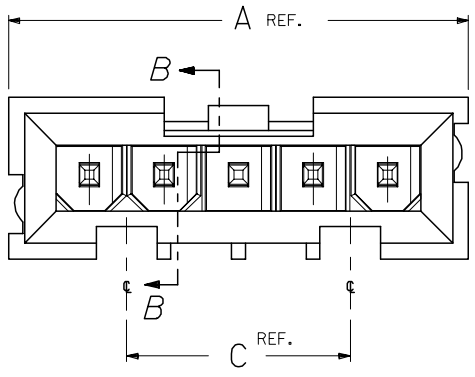
SINGLE ROW MINI-FIT HEADER, VERTICAL, THRU-HOLE SALES DWG

MOLEX MOLEX INCORPORATED

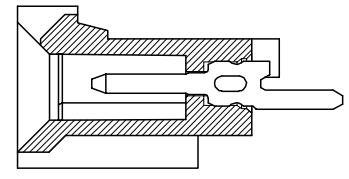
SDA-71231-****

THIS DRAWING CONTAINS INFORMATION THAT IS PROPRIETARY TO MOLEX INCORPORATED AND SHOULD NOT BE USED WITHOUT WRITTEN PERMISSION

| | |
|---|---|
| 4 | L |
| 3 | L |
| 2 | M |
| 1 | M |



SEE SHEET 1 FOR ALL OTHER INFORMATION



SECTION B-B

NO PEG OPTION

VERTICAL CONFIGURATIONS

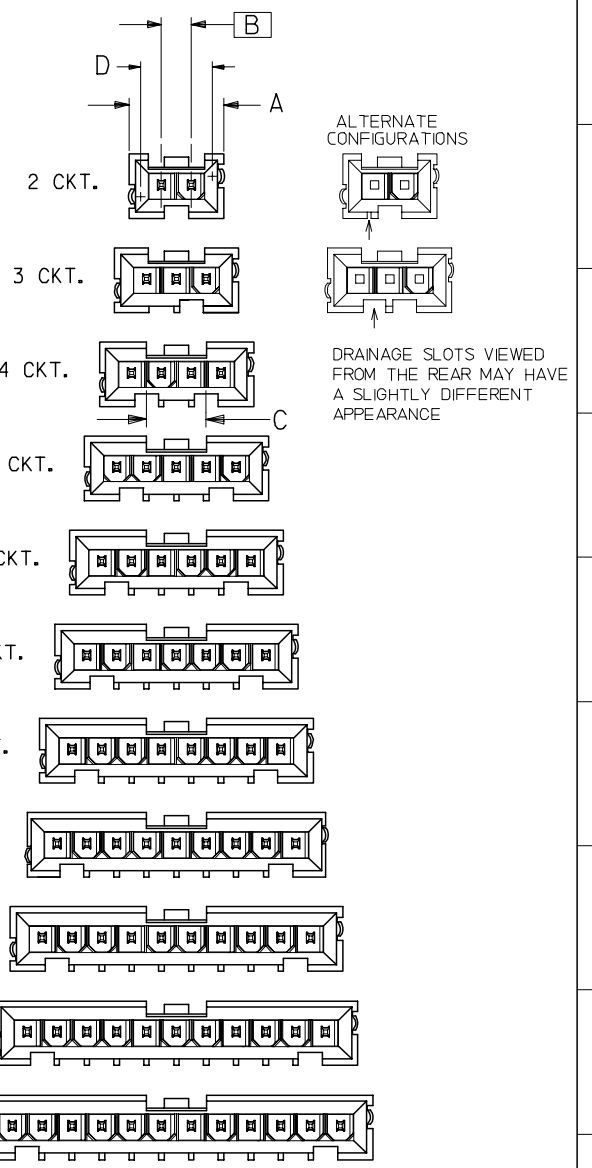
OVERALL DIMENSIONS

ASSEMBLIES WITH PEGS

| SIZE | DIM. "A" | | DIM. "B" BASIC | | DIM. "C" REF. | | DIM. "D" | |
|------|----------|---------|----------------|----------|---------------|---------|----------|---------|
| | INCH | (MM) | INCH | (MM) | INCH | (MM) | INCH | (MM) |
| 2 | 0.524 | (13.31) | 0.1654 | (4.200) | N/A | N/A | .403 | (10.24) |
| 3 | 0.689 | (17.51) | 0.3307 | (8.400) | N/A | N/A | .569 | (14.44) |
| 4 | 0.855 | (21.71) | 0.4961 | (12.600) | 0.330 | (8.40) | .734 | (18.64) |
| 5 | 1.020 | (25.91) | 0.6614 | (16.800) | 0.496 | (12.60) | .899 | (22.84) |
| 6 | 1.185 | (30.11) | 0.8268 | (21.000) | 0.661 | (16.80) | 1.064 | (27.04) |
| 7 | 1.351 | (34.31) | 0.9921 | (25.200) | 0.826 | (21.00) | 1.230 | (31.24) |
| 8 | 1.516 | (38.51) | 1.1575 | (29.400) | 0.992 | (25.20) | 1.395 | (35.44) |
| 9 | 1.682 | (42.71) | 1.3228 | (33.600) | 1.157 | (29.40) | 1.561 | (39.64) |
| 10 | 1.847 | (46.91) | 1.4882 | (37.800) | 1.322 | (33.60) | 1.726 | (43.84) |
| 11 | 2.012 | (51.11) | 1.6535 | (42.000) | 1.488 | (37.80) | 1.891 | (48.04) |
| 12 | 2.177 | (55.31) | 1.8189 | (46.200) | 1.653 | (42.00) | 2.057 | (52.24) |

ASSEMBLIES WITHOUT PEGS

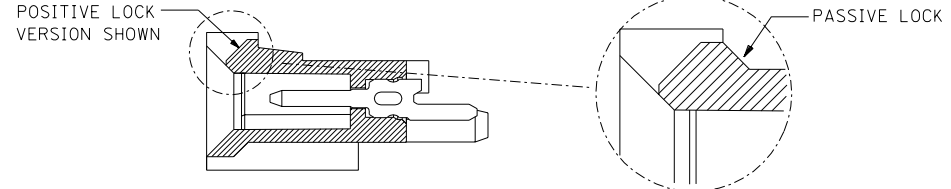
| SIZE | DIM. "A" | | DIM. "B" BASIC | | DIM. "C" REF. | |
|------|----------|---------|----------------|----------|---------------|---------|
| | INCH | (MM) | INCH | (MM) | INCH | (MM) |
| 2 | 0.524 | (13.31) | 0.1654 | (4.200) | N/A | N/A |
| 3 | 0.689 | (17.51) | 0.3307 | (8.400) | N/A | N/A |
| 4 | 0.855 | (21.71) | 0.4961 | (12.600) | 0.330 | (8.40) |
| 5 | 1.020 | (25.91) | 0.6614 | (16.800) | 0.496 | (12.60) |
| 6 | 1.185 | (30.11) | 0.8268 | (21.000) | 0.661 | (16.80) |
| 7 | 1.351 | (34.31) | 0.9921 | (25.200) | 0.826 | (21.00) |
| 8 | 1.516 | (38.51) | 1.1575 | (29.400) | 0.992 | (25.20) |
| 9 | 1.682 | (42.71) | 1.3228 | (33.600) | 1.157 | (29.40) |
| 10 | 1.847 | (46.91) | 1.4882 | (37.800) | 1.322 | (33.60) |
| 11 | 2.012 | (51.11) | 1.6535 | (42.000) | 1.488 | (37.80) |
| 12 | 2.177 | (55.31) | 1.8189 | (46.200) | 1.653 | (42.00) |



| | | | | | | | | | |
|---|-------------------------------|--|-----------------|--------------------------|-----------------|----------------------|------------------------|-------------------------------|-------------------------------|
| ADD ALT CONFIGS EC NO: UCP2007-0516 DRAWN: BARKER 2006/09/07 CHKD: BORGAN 2006/09/08 APPR: MILLER 2006/09/12 M | QUALITY SYMBOLS ▽=0 ▽=0 | GENERAL TOLERANCES (UNLESS SPECIFIED) mm INCH 4 PLACES ±.010 ±.010 3 PLACES ±.010 ±.010 2 PLACES ±.038 ±.015 1 PLACE ±0.25 ±.010 ANGULAR ±1/2° | | DIMENSION STYLE IN/MM | SCALE 5:1 | DESIGN UNITS INCH | THIRD ANGLE PROJECTION | | |
| | | DRAWN BY RWB | DATE 7/19/93 | CHECKED BY PAR | DATE 7/19/93 | APPROVED BY FAH | DATE 7/19/93 | MATERIAL NO. SDA-71231-*** | DOCUMENT NO. SDA-71231-*** |
| | | DRAFT WHERE APPLICABLE MUST REMAIN WITHIN DIMENSIONS | | SEE TABLES | | MOLEX INCORPORATED | | SHEET NO. 2 OF 4 | |
| | | THIS DRAWING CONTAINS INFORMATION THAT IS PROPRIETARY TO MOLEX INCORPORATED AND SHOULD NOT BE USED WITHOUT WRITTEN PERMISSION | | | | | | | |

| CKT SIZE | ASSEMBLY NUMBER | TAIL VERSION | PEGS | LOCK | PACKAGING PER | PLATING SEE NOTE 4 |
|----------|-----------------|--------------|------|----------|---------------|--------------------|
| 2 | 71231-0001 | STD..125 | YES | POSITIVE | PK-71232-0000 | TIN OVERALL |
| 3 | 71231-0003 | STD..125 | YES | POSITIVE | PK-71232-0000 | |
| 4 | 71231-0005 | STD..125 | YES | POSITIVE | PK-71232-0000 | |
| 5 | 71231-0007 | STD..125 | YES | POSITIVE | PK-71232-0000 | |
| 6 | 71231-0009 | STD..125 | YES | POSITIVE | PK-71232-0000 | |
| 7 | 71231-0011 | STD..125 | YES | POSITIVE | PK-71232-0000 | |
| 8 | 71231-0013 | STD..125 | YES | POSITIVE | PK-71232-0000 | |
| 9 | 71231-0015 | STD..125 | YES | POSITIVE | PK-71232-0000 | |
| 10 | 71231-0017 | STD..125 | YES | POSITIVE | PK-71232-0000 | |
| 11 | 71231-0019 | STD..125 | YES | POSITIVE | PK-71232-0000 | |
| 12 | 71231-0021 | STD..125 | YES | POSITIVE | PK-71232-0000 | |
| 2 | 71231-0101 | STD..125 | YES | POSITIVE | PK-71232-0000 | |
| 3 | 71231-0103 | STD..125 | YES | POSITIVE | PK-71232-0000 | |
| 4 | 71231-0105 | STD..125 | YES | POSITIVE | PK-71232-0000 | |
| 5 | 71231-0107 | STD..125 | YES | POSITIVE | PK-71232-0000 | |
| 6 | 71231-0109 | STD..125 | YES | POSITIVE | PK-71232-0000 | |
| 7 | 71231-0111 | STD..125 | YES | POSITIVE | PK-71232-0000 | |
| 8 | 71231-0113 | STD..125 | YES | POSITIVE | PK-71232-0000 | |
| 9 | 71231-0115 | STD..125 | YES | POSITIVE | PK-71232-0000 | |
| 10 | 71231-0117 | STD..125 | YES | POSITIVE | PK-71232-0000 | |
| 11 | 71231-0119 | STD..125 | YES | POSITIVE | PK-71232-0000 | |
| 12 | 71231-0121 | STD..125 | YES | POSITIVE | PK-71232-0000 | |
| 2 | 71231-0201 | STD..125 | NO | POSITIVE | PK-71232-0000 | TIN OVERALL |
| 3 | 71231-0203 | STD..125 | NO | POSITIVE | PK-71232-0000 | |
| 4 | 71231-0205 | STD..125 | NO | POSITIVE | PK-71232-0000 | |
| 5 | 71231-0207 | STD..125 | NO | POSITIVE | PK-71232-0000 | |
| 6 | 71231-0209 | STD..125 | NO | POSITIVE | PK-71232-0000 | |
| 7 | 71231-0211 | STD..125 | NO | POSITIVE | PK-71232-0000 | |
| 8 | 71231-0213 | STD..125 | NO | POSITIVE | PK-71232-0000 | |
| 9 | 71231-0215 | STD..125 | NO | POSITIVE | PK-71232-0000 | |
| 10 | 71231-0217 | STD..125 | NO | POSITIVE | PK-71232-0000 | |
| 11 | 71231-0219 | STD..125 | NO | POSITIVE | PK-71232-0000 | |
| 12 | 71231-0221 | STD..125 | NO | POSITIVE | PK-71232-0000 | |
| 2 | 71231-0301 | STD..125 | NO | POSITIVE | PK-71232-0000 | |
| 3 | 71231-0303 | STD..125 | NO | POSITIVE | PK-71232-0000 | |
| 4 | 71231-0305 | STD..125 | NO | POSITIVE | PK-71232-0000 | |
| 5 | 71231-0307 | STD..125 | NO | POSITIVE | PK-71232-0000 | |
| 6 | 71231-0309 | STD..125 | NO | POSITIVE | PK-71232-0000 | |
| 7 | 71231-0311 | STD..125 | NO | POSITIVE | PK-71232-0000 | |
| 8 | 71231-0313 | STD..125 | NO | POSITIVE | PK-71232-0000 | |
| 9 | 71231-0315 | STD..125 | NO | POSITIVE | PK-71232-0000 | |
| 10 | 71231-0317 | STD..125 | NO | POSITIVE | PK-71232-0000 | |
| 11 | 71231-0319 | STD..125 | NO | POSITIVE | PK-71232-0000 | |
| 12 | 71231-0321 | STD..125 | NO | POSITIVE | PK-71232-0000 | |

| CKT SIZE | ASSEMBLY NUMBER | TAIL VERSION | PEGS | LOCK | PACKAGING PER | PLATING SEE NOTE 4 |
|----------|-----------------|--------------|------|---------|---------------|--------------------|
| 2 | 71231-0002 | STD..125 | YES | PASSIVE | PK-71232-0000 | TIN OVERALL |
| 3 | 71231-0004 | STD..125 | YES | PASSIVE | PK-71232-0000 | |
| 4 | 71231-0006 | STD..125 | YES | PASSIVE | PK-71232-0000 | |
| 5 | 71231-0008 | STD..125 | YES | PASSIVE | PK-71232-0000 | |
| 6 | 71231-0010 | STD..125 | YES | PASSIVE | PK-71232-0000 | |
| 7 | 71231-0012 | STD..125 | YES | PASSIVE | PK-71232-0000 | |
| 8 | 71231-0014 | STD..125 | YES | PASSIVE | PK-71232-0000 | |
| 9 | 71231-0016 | STD..125 | YES | PASSIVE | PK-71232-0000 | |
| 10 | 71231-0018 | STD..125 | YES | PASSIVE | PK-71232-0000 | |
| 11 | 71231-0020 | STD..125 | YES | PASSIVE | PK-71232-0000 | |
| 12 | 71231-0022 | STD..125 | YES | PASSIVE | PK-71232-0000 | |
| 2 | 71231-0102 | STD..125 | YES | PASSIVE | PK-71232-0000 | |
| 3 | 71231-0104 | STD..125 | YES | PASSIVE | PK-71232-0000 | |
| 4 | 71231-0106 | STD..125 | YES | PASSIVE | PK-71232-0000 | |
| 5 | 71231-0108 | STD..125 | YES | PASSIVE | PK-71232-0000 | |
| 6 | 71231-0110 | STD..125 | YES | PASSIVE | PK-71232-0000 | |
| 7 | 71231-0112 | STD..125 | YES | PASSIVE | PK-71232-0000 | |
| 8 | 71231-0114 | STD..125 | YES | PASSIVE | PK-71232-0000 | |
| 9 | 71231-0116 | STD..125 | YES | PASSIVE | PK-71232-0000 | |
| 10 | 71231-0118 | STD..125 | YES | PASSIVE | PK-71232-0000 | |
| 11 | 71231-0120 | STD..125 | YES | PASSIVE | PK-71232-0000 | |
| 12 | 71231-0122 | STD..125 | YES | PASSIVE | PK-71232-0000 | |
| 2 | 71231-0202 | STD..125 | NO | PASSIVE | PK-71232-0000 | TIN OVERALL |
| 3 | 71231-0204 | STD..125 | NO | PASSIVE | PK-71232-0000 | |
| 4 | 71231-0206 | STD..125 | NO | PASSIVE | PK-71232-0000 | |
| 5 | 71231-0208 | STD..125 | NO | PASSIVE | PK-71232-0000 | |
| 6 | 71231-0210 | STD..125 | NO | PASSIVE | PK-71232-0000 | |
| 7 | 71231-0212 | STD..125 | NO | PASSIVE | PK-71232-0000 | |
| 8 | 71231-0214 | STD..125 | NO | PASSIVE | PK-71232-0000 | |
| 9 | 71231-0216 | STD..125 | NO | PASSIVE | PK-71232-0000 | |
| 10 | 71231-0218 | STD..125 | NO | PASSIVE | PK-71232-0000 | |
| 11 | 71231-0220 | STD..125 | NO | PASSIVE | PK-71232-0000 | |
| 12 | 71231-0222 | STD..125 | NO | PASSIVE | PK-71232-0000 | |
| 2 | 71231-0302 | STD..125 | NO | PASSIVE | PK-71232-0000 | |
| 3 | 71231-0304 | STD..125 | NO | PASSIVE | PK-71232-0000 | |
| 4 | 71231-0306 | STD..125 | NO | PASSIVE | PK-71232-0000 | |
| 5 | 71231-0308 | STD..125 | NO | PASSIVE | PK-71232-0000 | |
| 6 | 71231-0310 | STD..125 | NO | PASSIVE | PK-71232-0000 | |
| 7 | 71231-0312 | STD..125 | NO | PASSIVE | PK-71232-0000 | |
| 8 | 71231-0314 | STD..125 | NO | PASSIVE | PK-71232-0000 | |
| 9 | 71231-0316 | STD..125 | NO | PASSIVE | PK-71232-0000 | |
| 10 | 71231-0318 | STD..125 | NO | PASSIVE | PK-71232-0000 | |
| 11 | 71231-0320 | STD..125 | NO | PASSIVE | PK-71232-0000 | |
| 12 | 71231-0322 | STD..125 | NO | PASSIVE | PK-71232-0000 | |



| | | | | | |
|--------------------------------|--|---|--|---|--|
| DIMENSIONS SHOWN (METRIC) INCH | | UNLESS OTHERWISE SPECIFIED TOLERANCES: ANGULAR ± 1/2° | | REVISE ONLY ON CAD SYSTEM | |
| 3 PLACE ± --- --- | | INCH METRIC | | TITLE | |
| 2 PLACE ± --- ± --- | | | | SINGLE ROW MINI-FIT HEADER | |
| 1 PLACE --- ± --- | | | | VERTICAL THRU-HOLE BLIND | |
| | | | | MATE SALES ASSEMBLY | |
| L SEE SHEET I | | C SEE SHEET I | | MOLEX INCORPORATED U.S.A. SHEET NO. 3 DATE 08/02/93 | |
| K SEE SHEET I | | A SEE SHEET I | | PART NO. SEE CHART DRWG. NO. SDA-71231-**** | |
| LTR. REVISIONS | | LTR. REVISIONS | | THIS DRAWING CONTAINS INFORMATION THAT IS PROPRIETARY TO MOLEX INC. AND SHOULD NOT BE USED WITHOUT WRITTEN PERMISSION | |
| DRWG. BY RWB | | CHK'D. BY PAR | | FILE NAME 571231P3 | |
| APP'D. BY FAH | | SCALE : | | DIV. TC | |

71231