

71475

NOTES:

1) MATERIALS:

HOUSING: GLASS FILLED LCP (LIQUID CRYSTAL POLYMER),
UL 94V-0, COLOR: BLACK.
MOLDED STICK: GLASS FILLED LCP (LIQUID CRYSTAL POLYMER),
UL 94V-0, COLOR: BLACK.
MALE TERMINAL: PHOSPHOR BRONZE
OUTER SHELL: DEEP DRAWN STEEL.

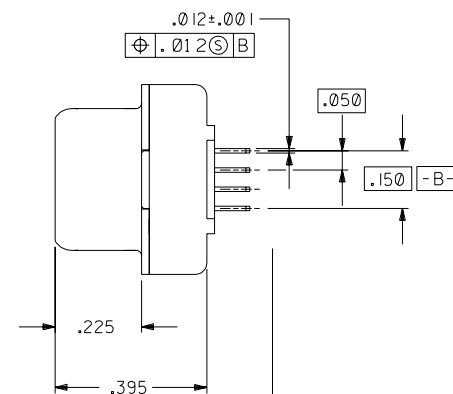
2) PLATING :

TERMINAL: .000030/(0.000762) MINIMUM GOLD IN SELECTIVE AREA;
.000100/(0.00254) MINIMUM TIN IN SELECTIVE AREA;
OVER NICKEL UNDERPLATE OVERALL.

OUTER SHELL: .000100/(0.00254) MINIMUM BRIGHT NICKEL
OVER COPPER FLASH (OPTIONAL).

3) CONFORMS TO PRODUCT SPECIFICATION PS-70928.

4) PARTS TO BE PACKAGED PER PK-70873-0604.



M3 THREADED INSERT
RETAINED IN PLASTIC.
MAXIMUM APPLICATION
TORQUE: 5 in-lbs

ITEM NUMBER	DIM "A" (TAIL LENGTH)
71475-1000	.092±.007
71475-1001	.062±.007

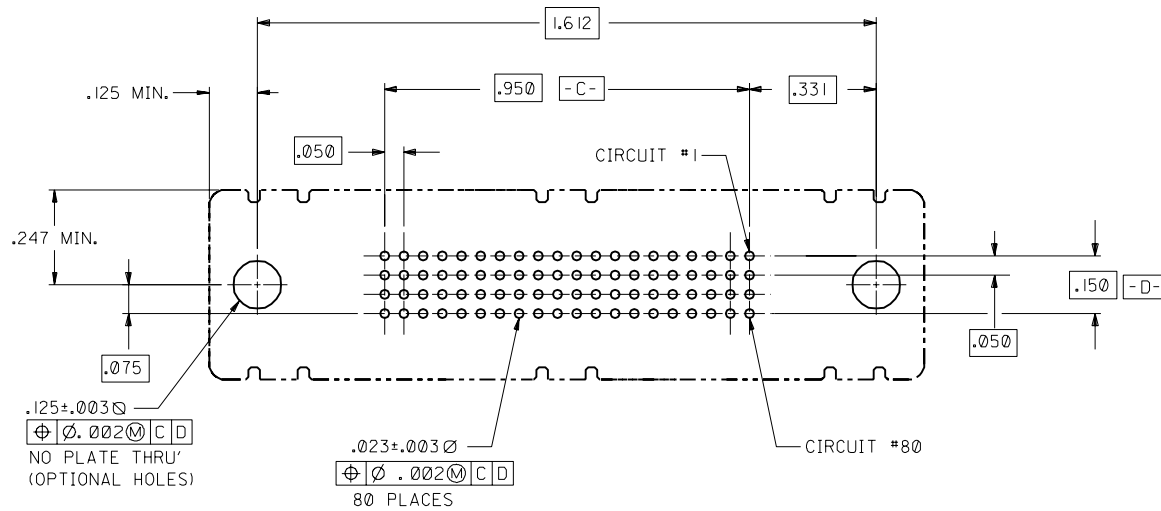
NOTE FOR LEAD FREE CONVERSION:

THE PRIMARY SHIPPING CARTON WILL BE
LABELED "COMPLIANT TO RoHS DIRECTIVE
2002/95/EC AND ELV ANNEX II OF
DIRECTIVE 2000/53/EC". CARTONS
WITHOUT THIS LABEL MAY CONTAIN
PRODUCT WITH LEAD.

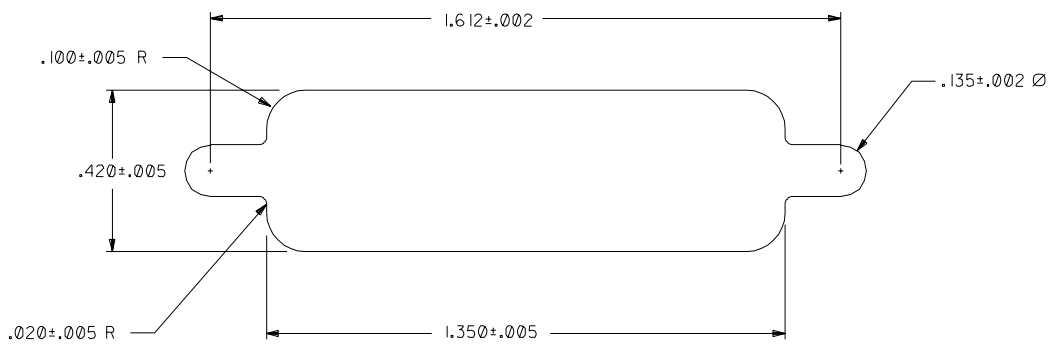
E	LEADFREE ECN* UCP2004-1998 DMORGAN 04/04/15
D	MODIFIED PER ECN U6-1399 DRS 05/08/96
C	ADDED -1001 PER ECN U6-0957 DRS 02/13/96
B	REVISED PER ECN U6-0641 DRS 12/01/95
A	FIRST RELEASE PER ECN U5-1116 MOS 05/05/95

2	B			
1	E	A		
MFG.	SH.	REV.	LTR.	REVISIONS

DIMENSIONS SHOWN (METRIC) INCH UNLESS OTHERWISE SPECIFIED TOLERANCES: ANGULAR ± 1/2°		▽ = 0		= 0		REVISE ONLY ON CAD SYSTEM	
INCH		METRIC		TITLE			
3 PLACE	± .010	---		.050"x.050" 80ckt LFH			
2 PLACE	±	±		Vertical Plug I/O			
1 PLACE	---	±		FOR .062" THK. PCB			
DRAFT WHERE APPLICABLE MUST REMAIN WITHIN DIMENSIONS				MOLEX INCORPORATED		SHEET NO. DATE	
				LITSE,ILL. 60532		1 OF 2 03/23/95	
DRWG. BY MOS				CHK'D. BY GWF		PART NO. DRWG. NO.	
APP'D. BY GWF				SCALE 4: 1		SEE CHART SDA-71475-100*	
				FILE NAME 571475X1		THIS DRAWING CONTAINS INFORMATION THAT IS PROPRIETARY TO MOLEX INC. AND SHOULD NOT BE USED WITHOUT WRITTEN PERMISSION.	



RECOMMENDED P.C.B. LAYOUT
COMPONENT SIDE



RECOMMENDED PANEL CUT-OUT

NOTE: MAX. PANEL THICKNESS: .040"

B	SEE SHEET I
A	SEE SHEET I

MFG. SH.	REV.	LTR.	REVISIONS
----------	------	------	-----------

DIMENSIONS SHOWN (METRIC) INCH		UNLESS OTHERWISE SPECIFIED TOLERANCES ANGULAR $\pm 1/2^\circ$		REVISIONS	
INCH		METRIC		TITLE	
3 PLACE	$\pm .010$	---	---	.050"x.050" @ 80ckt LFH	
2 PLACE	\pm	\pm	\pm	Vertical Plug I/O	
1 PLACE	---	\pm	\pm	FOR .062" THK PCB	
DRAFT WHERE APPLICABLE MUST REMAIN WITHIN DIMENSIONS				DATE	
MOLEX INCORPORATED		SHEET NO. 2		03/23/95	
L15LEJLL		60532		U.S.A.	
PART NO.		DRAWG. NO.		SEE SHEET I	
SDA-71475-100		SDA-71475-100		SDA-71475-100	
FILE NAME		DIV.		SIZE	
S71475X2		MOLEX INC. AND SHOULD NOT BE USED WITHOUT WRITTEN PERMISSION		CD C	
DRWG. BY MOS		CHK'D BY GWF		SCALE 4:1	
APP'D BY GWF					

71475